

# Nice

## MC200

CE



### Control unit

**EN** - Instructions and warnings for installation and use

**IT** - Istruzioni ed avvertenze per l'installazione e l'uso

**FR** - Instructions et avertissements pour l'installation et l'utilisation

**ES** - Instrucciones y advertencias para la instalación y el uso

**DE** - Installierungs- und Gebrauchsanleitungen und Hinweise

**PL** - Instrukcje i ostrzeżenia do instalacji i użytkowania

**NL** - Aanwijzingen en aanbevelingen voor installatie en gebruik

**RU** - Инструкции и предупреждения по монтажу и эксплуатации

**Nice**

## GENERAL WARNINGS: SAFETY - INSTALLATION - USE (instructions translated from Italian)

**▲** The following warnings are taken directly from the Regulations and apply, as far as possible, to the product described herein

**WARNING** Important safety instructions. Observe all the instructions as improper installation may cause serious damage

**WARNING** Important safety instructions. It is important to comply with these instructions to ensure personal safety. Store these instructions

- Before commencing the installation, check the “Product technical specifications”, in particular whether this product is suitable for automating your guided part. Should it be unsuitable, DO NOT proceed with the installation
- The product cannot be used unless it has been commissioned as specified in the “Testing and commissioning” chapter

**WARNING** According to the most recent European legislation, the implementation of an automation system must comply with the harmonised standards set forth in the Machinery Directive in force, which allow for declaring the presumed conformity of the automation. On account of this, all operations regarding connection to the mains electricity, as well as product testing, commissioning and maintenance, must be performed exclusively by a qualified and skilled technician!

- Before proceeding with the product's installation, check that all materials are in good working order and are suitable for the intended applications
- The product is not intended for use by persons (including children) with reduced physical, sensory or mental capacities, nor by anyone lacking sufficient experience or familiarity with the product
- Children must not play with the appliance
- Do not allow children to play with the control devices of the product. Keep the remote controls out of reach of children

**WARNING** In order to avoid any danger from inadvertent resetting of the thermal cut-off device, this appliance must not be powered through an external switching device, such as a timer, or connected to a supply that is regularly powered or switched off by the circuit

- Provide a disconnection device (not supplied) in the plant's mains power supply, with a contact opening distance that ensures complete disconnection under the conditions envisaged by Overvoltage Category III
- Handle the product with care during installation, taking care to avoid crushing, knocks, falls or contact with liquids of any kind. Keep the product away from sources of heat and open flames. Failure to observe the above can damage the product and increase the risk of danger or malfunctions. If this should happen, stop installation immediately and contact the Customer Service
- The manufacturer assumes no liability for damage to property, items or persons resulting from non-compliance with the assembly instructions. In such cases the warranty does not cover material defects
- Cleaning and maintenance to be carried out by the user must not be effected by unsupervised children
- Before intervening on the system (maintenance, cleaning), always disconnect the product from the mains power supply
- The packaging materials of the product must be disposed of in compliance with local regulations
- When performing a manoeuvre, keep an eye on the automated mechanism and keep all bystanders at a safe distance until the movement has been completed
- Do not operate the automation if any people in the vicinity are working on it; disconnect the power supply before permitting any work to be carried out

## 1 PRODUCT DESCRIPTION AND INTENDED USE

**MC200** is an electronic control unit that allows for controlling and commanding a motor designed to automate a shutter, overhead door, sectional door, rolling shutter or other similar applications.

**⚠ WARNING! - Any use other than that specified herein or in environmental conditions other than those stated in this manual is to be considered improper and is forbidden!**

Functional characteristics:

- it connects to the mains power supply (see data in the chapter, "Product technical specifications");
- it can be programmed by setting 8 dip-switches;
- it is equipped with an incorporated radio receiver that allows for controlling the automation through a radio transmitter;
- various accessories can be connected to the control unit, such as: a pair of photocells, a warning light (powered at the mains voltage) for luminous warnings, a wall-mounted button to control the automation with "step-by-step"-type commands, an external radio antenna, a sensitive edge, etc.
- it is equipped with a type "IBT4N" connector, compatible with the IBT4N interface, which allows for connecting all devices equipped with BusT4 interface, such as, for example, Oview programming units.

## 2 USE LIMITATIONS

- The MC200 control unit can be used exclusively with an asynchronous single-phase motor. The motor must be: **a)** powered from the mains and sized for the same voltage that powers the control unit; **b)** equipped with a thermal cut-off; **c)** equipped with a mechanical device that limits its movement (limit switch); **d)** equipped with connections to 3 conductors: “Common”, “Open” and “Close”.
- The radio receiver incorporated in the control unit is only compatible with transmitters that adopt the **FLOR**, **O-CODE** or **SMILO** radio coding protocols (these are Nice standards).
- Further use limitations are specified in the “Product technical specifications” chapter.

## 3 INSTALLATION

**⚠ Important! - Prior to installing the product, check its use limitations by reading Chapters 2 and 7.**

**⚠ Check that the temperature is suitable for the type of application.**

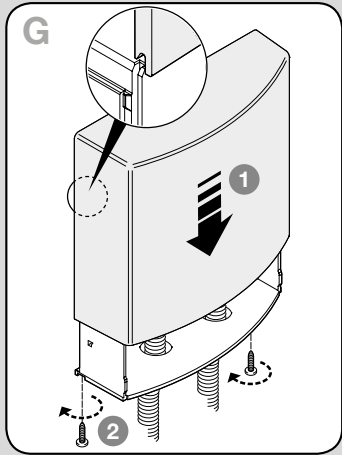
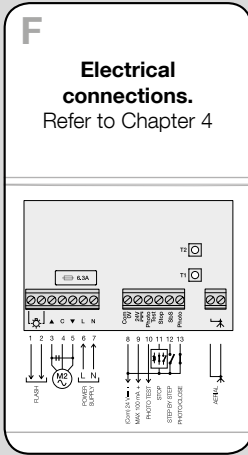
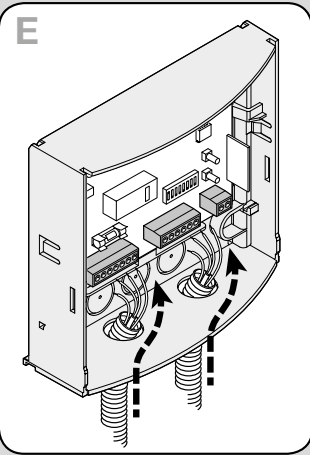
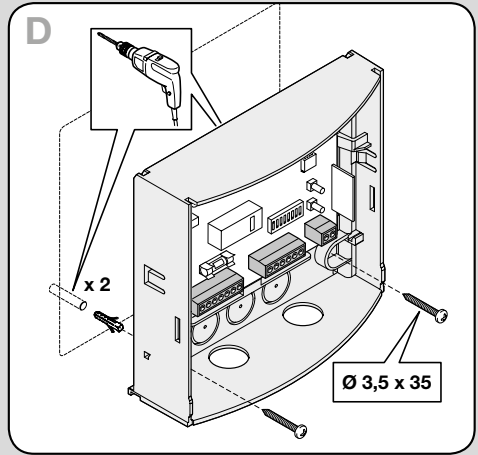
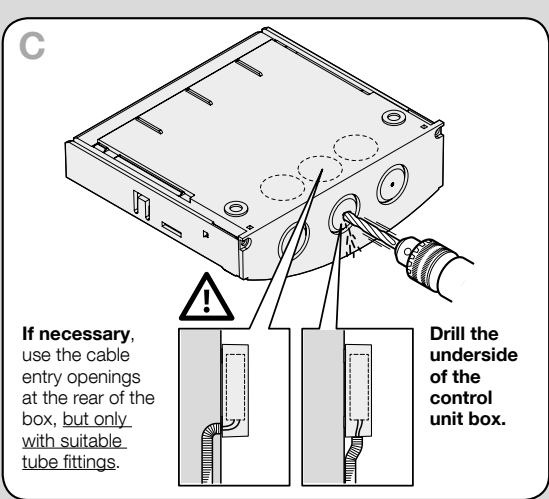
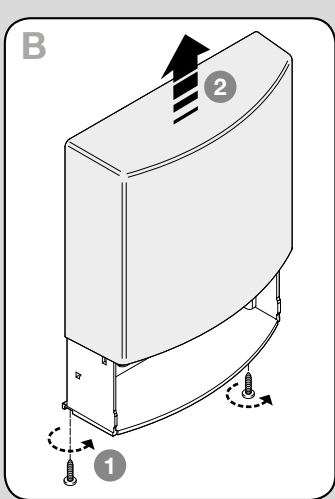
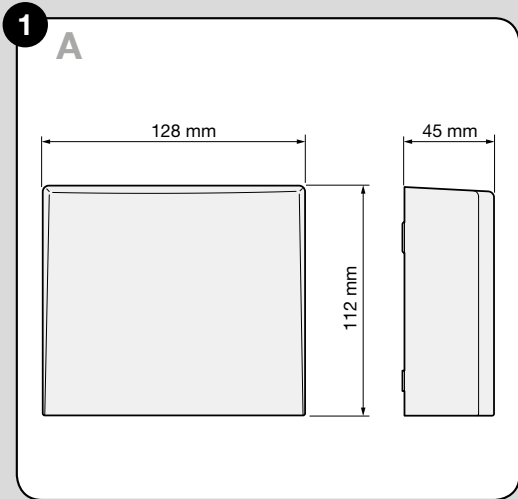
**⚠ The product must not be installed outdoors.**

**⚠ When drilling the control unit box for passing the cables (Fig. 1-C), it is important to remember that the cables must always enter the box from below. Moreover, take suitable precautions to guarantee the required protection rating (IP 44) for the type of installation.**

**⚠ Before proceeding with the installation, prepare the electrical cables required for the system by referring to Fig. 2b and to “Table 1 - Technical specifications of electrical cables”.**

**⚠ Warning! – When laying the tubes for protecting the electrical cables and when laying the cables into the control unit housing, bear in mind that due to possible water deposits in the junction wells, the cable protection tubes might create water vapour the control unit, with consequent damage to the electronic circuits.**

Install the control unit by referring to **Fig. 1**.



## 4 ELECTRICAL CONNECTIONS

**⚠ WARNING! – All electrical connections must be made with the system disconnected from the power supply. Incorrect connections can damage the equipment or injure people.**

**⚠ WARNING! – The connections must only be carried out by qualified personnel.**

### 4.1 - Arranging the electrical cables to connect devices to the control unit (Table A)

**Table A** - Characteristics of electrical cables for the relevant connections

Device to be connected	Cable cross-section	Maximum cable length
POWER SUPPLY FOR THE CONTROL UNIT	1 cable: 2 x 1.5 mm <sup>2</sup>	30 m <b>(*1)</b>
WARNING LIGHT WITH RADIO ANTENNA	1 cable: 2 x 1.5 mm <sup>2</sup> (for the lamp) 1 RG58-type shielded cable (for aerial)	20 m 20 m (recommended < 5 m)
DEVICES CONNECTED TO TERMINALS 8-9-10-11-12-13	6 cables: 1 x 0.5 mm <sup>2</sup> <b>(*2)</b>	50 m
POWER SUPPLY FOR MOTOR	3 cables: 1 x 1.5 mm <sup>2</sup>	10 m

**(\*1)** – If the power cable is longer than 30 m a cable with larger cross-sectional dimensions is required, for example, 2 x 2.5 mm<sup>2</sup>.  
**(\*2)** – These 6 cables can be replaced by a single 6 x 0.5 mm<sup>2</sup> cable.

**WARNING! – The cables used must be suited to the type of environment of the installation site.**

### 4.2 - List of control unit parts

During the successive control unit connection and programming phases, to identify the components mentioned in the text refer to **Fig. 2** and its key.

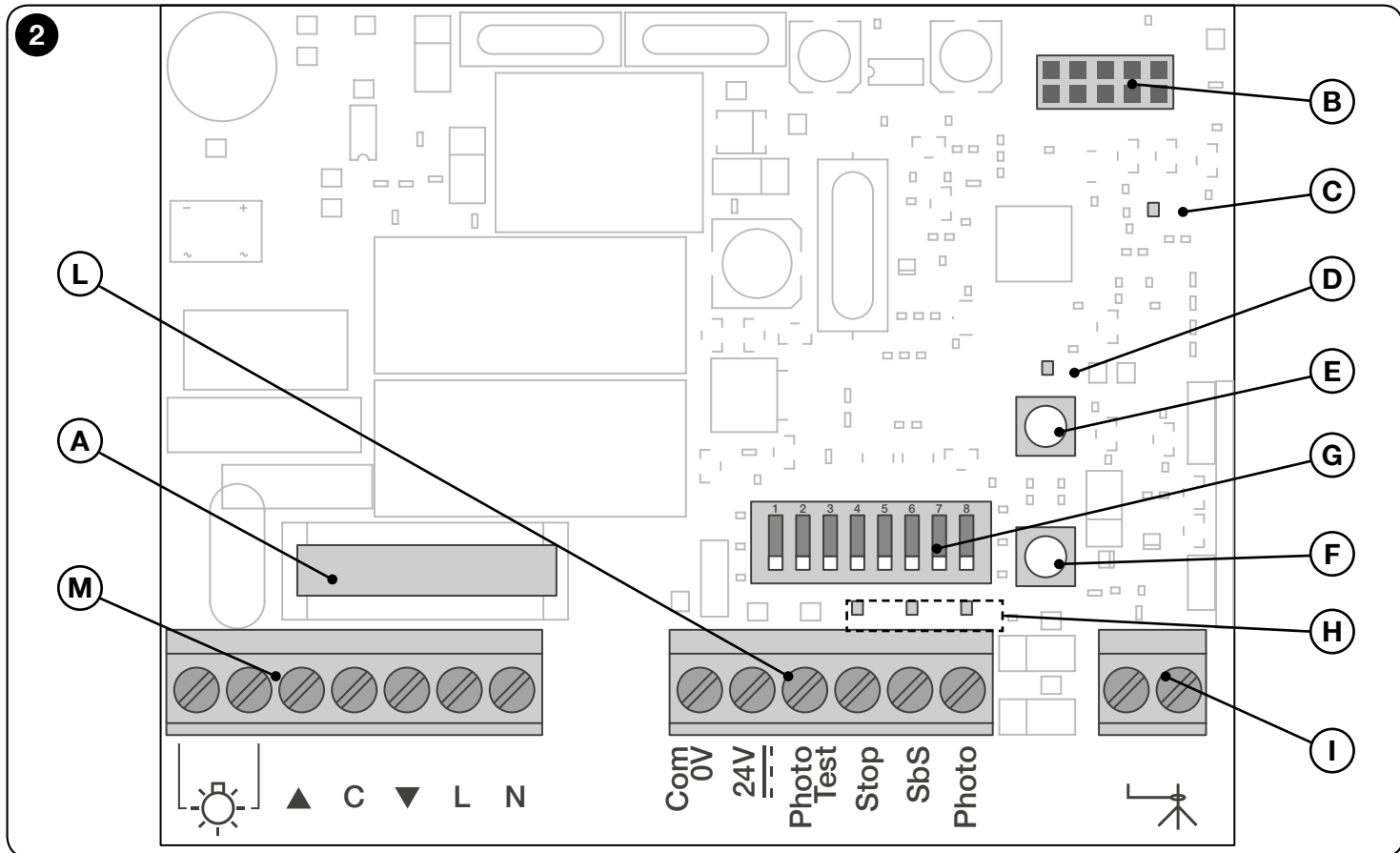
- A** - Line fuse (6.3 A)
- B** - Connector for inserting the IBT4N interface
- C** - “OK” LED
- D** - “Radio” LED
- E** - T2 button, for memorising a transmitter and for cancelling a transmitter or the entire control unit memory
- F** - T1 button, for programming and for sending step-by-step commands
- G** - Dip-switch for programming the functions

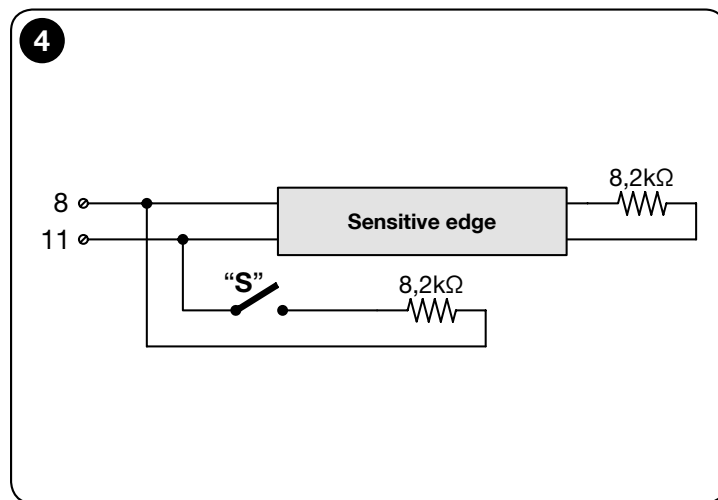
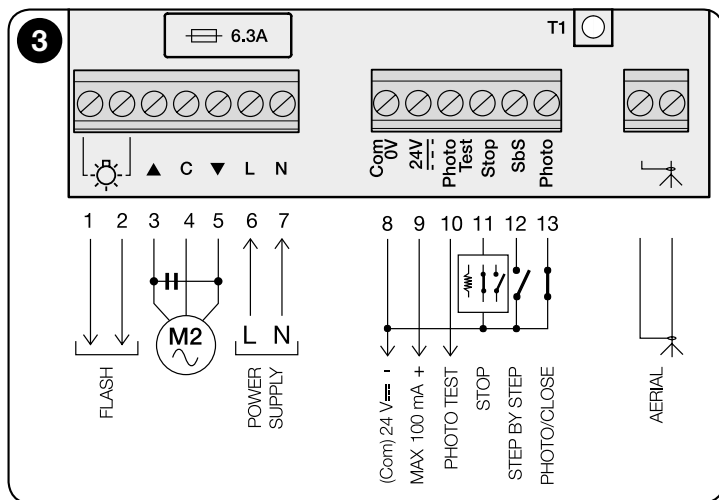
**H** - LED for inputs (“Stop”, “SbS”, “Photo”)

**I** - Terminals for radio antenna

**L** - Low-voltage input terminals

**M** - Terminals for connecting the power supply line and for the motor





## 4.3 - Basic connections

### • Connecting the motor to the MC200 control unit

Connect the 3 conductors coming from the motor (Up phase, Common, Down phase) respectively to **terminals 3, 4 and 5** of the control unit, as shown in **Fig. 3**.

**WARNING! Before connecting the motor, it is imperative to verify that the conductor connected to terminal 3 causes the door to OPEN, that the conductor connected to terminal 5 causes the door to CLOSE, and that the conductor connected to terminal 4 is the COMMON conductor.**

**Warning!** – Do not connect multiple motors in parallel to the same control unit, unless expressly envisaged in the motor's instruction manual; in this case, use the appropriate expansion boards.

### • Connecting the power supply to the MC200 control unit

Connect the 2 wires coming from the mains (Live and Neutral) respectively to **terminals 6 and 7** of the control unit, as shown in **Fig. 3**.

### • Earthing the motor

**Warning!** - To comply with the electrical safety requirements of the relevant product class (Class II), it is mandatory to earth the motor **outside of the MC200 control unit**.



## 4.4 - Connection of accessories

To connect the relevant accessories refer to **Table B**, to **Fig. 3** and to the instruction manual of each accessory. **Table B** summarises all the accessories that can be connected to the control unit terminals and the specifications for making the electrical connections. Before proceeding, carefully read the table and its notes. **Note** – Due to the fact that certain inputs offer different functions for connecting the accessories, once the connections have been made it will be necessary to set the dip-switches according to the accessories connected (see Chapter 5 - Programming).

**Table B** - Function of the terminals (inputs and outputs)

Terminals	Description of the function
1 - 2	<b>Output</b> for flashing warning light at the mains voltage.
3 - 4 - 5	<b>Output</b> for controlling the motor (open, common, close).
6 - 7	<b>Input</b> of the power supply line coming from the mains (live, neutral).
8	Reference to 0 V for the “Common” conductor of the devices connected to terminals <b>9, 10, 11, 12</b> and <b>13</b> .
9	<b>24 V output.</b> Output for devices (for example, photocells) with 24 V power supply (low-voltage): maximum current draw: 100 mA.
10	<b>Photo test output.</b> 24 V output for a transmission photocell (TX) or for a “door open indicator light” function. Maximum current draw: 50 mA.
11	<b>Stop input.</b> Input for safety devices with 8.2 kΩ fixed resistor (sensitive edge, etc.).
12	<b>SbS input.</b> Input for a normally open (NO) button, for sending commands in step-by-step mode.
13	<b>Photo input.</b> Input for a normally closed (NC) reception photocell (RX), or for a normally open (NO) button.
14 - 15	<b>Input</b> for an antenna-radio receiver.

## 4.5 - How to manage the “Photo test” output and the “Stop”, “SbS” and “Photo” inputs

### 4.5.1 - Photo test output (terminal 10)

This output must be configured through programming dip-switch **7** depending on the type of device connected: if a transmission photocell (TX) is connected, the dip-switch must be set to ON; if instead a “door open indicator light” is connected, the dip-switch must be set to OFF.

**NOTES** • If a “door open indicator light” is connected to this output, the TX photocell must be connected to terminal **9**. • The “door open indicator light” signals have the following meanings:

light off = door closed; light on = door open; slow flashing = door in opening phase; fast flashing = door in closing phase.

### 4.5.2 - Stop input (terminal 11)

This input must be configured through programming dip-switches **1 - 2** depending on the type of device connected: normally closed (NC) contacts, normally open (NO) contacts or fixed resistance (8.2 kΩ) contacts. **Warning!** - Only the use of a fixed resistance contact together with the OFF+OFF setting of dip-switches **1 - 2** guarantees the minimum level of resistance against faults, requested by the regulations. Normally the

intervention of the device connected to the Stop input causes the immediate stoppage of the motor's movement, with a brief inversion of the manoeuvre (selectable through dip-switch **3**). To deactivate this inversion following the intervention of the safety device (for example, when the sensitive edge touches the floor), it is possible to use an “S” contact (with 8.2 kΩ fixed resistor connected in series) to be connected in parallel to the sensitive edge (see **Fig. 4**). The “S” contact must be placed so that it closes in the last 30/40 mm of the closing manoeuvre, before the sensitive edge intervenes. In this way, when the “S” contact closes and the sensitive edge intervenes (for example, on the floor), the automation stops without inverting the manoeuvre and the door remains fully closed. In this condition, the system allows for commanding the opening manoeuvre only.

The status of the Stop input is signalled by the “Stop” LED with the meanings specified in **Table C**.

**Table C** - Status of the “STOP” input signalled by the relative LED

“Stop” LED signal	Meaning (status of the Stop input)
<b>On</b>	Active (consent for manoeuvre)
<b>Off</b>	Not active (manoeuvre stopped)
<b>50% on + 50% off</b>	Inversion deactivated
<b>20% on + 80% off</b>	Not active, with inversion deactivated (allowed only after the opening manoeuvre)

#### 4.5.3 - **SbS input (terminal 12)**

Whenever the button connected to this input is pressed, the system runs the command following the last command sent, according to a default sequence which can be programmed through dip-switch 5 (for example, > open > stop > close > stop > again...). If the control button is kept pressed (from 4 to 10 seconds), the system always commands an opening manoeuvre; if instead the button is held for more than 10 seconds, the system always commands a closing manoeuvre. This particular function can be useful whenever there are multiple control units, when the user wishes to control them simultaneously and have the doors perform the same manoeuvre, regardless of the current status of each control unit.

#### 4.5.4 - **Photo input (terminal 13)**

This input must be configured through programming dip-switch **4** depending on the type of device connected: if a normally closed (NC) reception photocell (RX) is connected, the dip-switch must be set to OFF; if instead a normally open (NO) button is connected, the dip-switch must be set to ON. **Note** – If a normally closed (NC) reception photocell (RX) has been connected, if there is no consent only the opening manoeuvre can be carried out.

**IMPORTANT!** - After making all the connections, power the control unit and set the eight dip-switches on the board, on the basis of the type of devices connected and the functions to be activated or deactivated. Refer to Table D for programming the unit.

Table D - Setting the dip-switches		
Dip-switch	Setting	Description of the set function
Switches 1 - 2	(1) <b>OFF</b> ; (2) <b>OFF</b>	Enables the Stop input for the connection of a 8.2 kΩ fixed resistor, <u>without button “S” that excludes the inversion</u> (see <b>Fig. 4</b> )
	(1) <b>OFF</b> ; (2) <b>ON</b>	Enables the Stop input for the connection of a 8.2 kΩ fixed resistor, <u>with button “S” that intervenes at 30/40 mm from the limit switch to exclude inversion</u> (see <b>Fig. 4</b> )
	(1) <b>ON</b> ; (2) <b>OFF</b>	Enables the Stop input for the connection of a NO (normally open) contact
	(1) <b>ON</b> ; (2) <b>ON</b>	Enables the Stop input for the connection of a NC (normally closed) contact
Switch 3	<b>OFF</b>	Enables the Stop input to stop the current manoeuvre and perform <u>a brief inversion of the movement</u>
	<b>ON</b>	Enables the Stop input to stop the current manoeuvre
Switch 4	<b>OFF</b>	Enables the Photo input for the connection of photocells
	<b>ON</b>	Enables the Photo input for being used as a closing command
Switch 5	<b>OFF</b>	Enables the following cyclical commands, of the step-by-step type: > Open > Stop > Close > Stop > (again...)
	<b>ON</b>	Enables the following cyclical commands, of the step-by-step type: > Open > Stop > (again...)
Switch 6	<b>OFF</b>	Disables the condominium function
	<b>ON</b>	Enables the condominium function
Switch 7	<b>OFF</b>	Enables the “Door open indicator light” function
	<b>ON</b>	Enables the Photo Test function
Switch 8	<b>OFF</b>	Disables the “Pause Time” for the automatic re-closing of the door, following an opening command
	<b>ON</b>	Enables the “Pause Time” for the automatic re-closing of the door, following an opening command

## 5.1 - Insights on certain programmable functions and options

### 5.1.1 - **Dip-switches 1 and 2** (for the Stop input)

These dip-switches are used to programme the Stop input on the basis of the type of safety device connected:

- Contact with 8.2 kΩ fixed resistance, with inversion.
- Contact with 8.2 kΩ fixed resistance, without inversion.
- NO (normally open) contact.
- NC (normally closed) contact.

### 5.1.2 - **Dip-switch 5** (for the SbS input)

If the SbS input is programmed with the step-by-step sequence of commands: **> Open > Stop > (again...)**, therefore, with dip-switch 5 set to ON, during use of the automation it will not be possible to command the closing of the door. This command can only be given by programming the automatic re-closing (dip-switch 8 set to ON), or through a radio transmitter.

### 5.1.3 - **Dip-switch 6**

- **During an opening manoeuvre:** if the condominium function is enabled (dip-switch 6 set to ON), it prevents the stoppage of the manoeuvre after an opening or step-by-step command is sent, or its inversion prior to terminating at the limit switch.
- **During a closing manoeuvre:** if the condominium function is enabled (dip-switch 6 set to ON), the sending of an opening or step-by-step command stops the manoeuvre and inverts its movement, making the door open.

## 5.2 - Memorisation of the dip-switch settings

After setting all the dip-switches (or later on, whenever the user wishes to modify the setting of one or more dip-switches), it is necessary to memorise the settings in the control unit, in the following way: when the **“OK” LED** starts flashing (green/red) it means that one or more dip-switches has been shifted. Therefore, to memorise the new setting press and hold **button T1** on the control unit, until the **“OK” LED** remains steady lit green. Subsequently, release the button.

## 5.3 - Programming the **“Work Time”** of the motor and the **“Pause Time”** for automatic re-closing

The “Work Time” and the “Pause Time” are two basic parameters of the control unit and are programmed one after the other, with the same procedure. These parameters can only be programmed once all the dip-switches have been set and memorised.

- **What is the “Work Time”?** It is the maximum duration for which the control unit keeps the motor powered from the time a command is sent. This duration must be long enough for the motor to complete the manoeuvre (up to the limit switch). The default setting (or after the memory is fully deleted) is 120 seconds. However this value can be modified by programming a duration of 5 seconds (minimum) up to 120 seconds (maximum). The procedure entails measuring the time – in self-recognition mode – required for the motor to complete a manoeuvre. For this reason it is necessary to measure the most strenuous manoeuvre for the gate (i.e. the slowest one), which normally corresponds to the start of

a movement from a limit switch. **Warning!** - It is advisable to programme a slightly longer duration (by a few seconds) with respect to the time necessary to complete the manoeuvre.

• **What is the “Pause Time”?** It is the time for which the control unit waits to re-close the door automatically, once the user has sent an opening command (function: automating re-closing). The programmable Pause Time lasts from 5 seconds (minimum) to 120 seconds (maximum). The Pause Time can also be eliminated entirely: this serves to disable automatic re-closing.

**To memorise the “Work Time” and the “Pause Time”**

- 01. Bring the door to the low limit switch.
- 02. Press and hold button **T1** on the control unit: as soon as the motor starts moving towards the high limit switch, start counting 5 seconds. At the end of the 5 seconds the control unit will start memorising the duration of the manoeuvre;
- 03. Continue holding button **T1**; wait for the manoeuvre to end at the high limit switch; wait a few seconds more and then release the button. The motor will stop and the control unit will memorise the new Work Time that has just been counted.
- 04. Within 2 seconds from the motor’s stoppage, press and hold button **T1** on the control unit: from this moment the **Pause Time** will start being measured.
- 05. Release button **T1** after the desired time has elapsed (maximum 120 seconds); the control unit will command the motor to perform a **downward manoeuvre** while it memorises the **time that has just been measured**. This time will subsequently be used for the automatic re-closing of the door.

**IMPORTANT** - The programmed Pause Time will only be executed if dip-switch 8 is set to ON.

**To modify the “Work Time” and the “Pause Time”**

- 01. To modify the “Work Time” alone, repeat the procedure from the beginning and stop at Step 4.

**To disable the “Pause Time”**

- 01. To disable automatic re-closing and, therefore, eliminate the Pause Time, repeat the procedure from the beginning and stop at Step 4. Alternatively, the automatic re-closing can be disabled by putting dip-switch 8 to OFF.

## 5.4 - Memorising the transmitters

The radio receiver incorporated in the control unit is compatible with all transmitters that adopt the **FLOR**, **O-CODE** or **SMILO** radio coding protocols (these are Nice standards).

### 5.4.1 - Two procedures to memorise the transmitter button

Among the available procedures for memorising transmitters, some allow for memorising in “standard” mode (or Mode 1) and others in “custom” mode (or Mode 2).

- **STANDARD memorisation (also referred to as “Mode 1”)**

Procedures of this type allow for simultaneously memorising – during their execution – all the buttons present on the transmitter. The system automatically associates each button with a command pre-defined by default, according to the following table:

Command	Button
<b>1 - Up</b>	will be associated with <b>1<sup>st</sup> button</b> / <b>button 1</b> / <b>▲ button</b>
<b>2 - Stop</b>	will be associated with <b>2<sup>nd</sup> button</b> / <b>button 2</b> / <b>■ button</b>
<b>3 - Down</b>	will be associated with <b>3<sup>rd</sup> button</b> / <b>button 3</b> / <b>▼ button</b>
<b>4 - Step-by-Step</b>	will be associated with <b>4<sup>th</sup> button</b> / <b>button 4</b> (if present on the transmitter).
<b>Note</b> - The transmitter buttons are normally identified by symbols and numbers. If these are not present on the transmitter, to identify the 1st button, 2nd button, etc., refer to <b>Fig. 5</b> .	

- **CUSTOM memorisation (also referred to as “Mode 2”)**

Procedures of this type allow for memorising, during their execution, a single button among those present on the transmitter, by combining it with one of the following available commands: **Up**, **Stop**, **Down**, **Step-by-Step**.

The choice of the button and of the command to be paired with it is made by the installer, on the basis of the automation’s needs.

### 5.4.2 - Number of transmitters that can be memorised

The control unit’s receiver has **192 memory locations**. A location can memorise either a single transmitter (i.e. the combination of its buttons and commands) or a single button with the relative command.

# PROCEDURES

**WARNING!** - To be able to run **Procedures A, B, C, D, E**, the control unit's memory must be **unlocked**. If it is locked, run **Procedure G** to unlock it.

## **PROCEDURE A - Memorising ALL buttons of a single transmitter (STANDARD mode or Mode 1)**

<b>01.</b>	<u>On the control unit</u> : press and hold <b>button T2</b> until the <b>“radio” LED</b> lights up; then release the button.
<b>02.</b>	(within 10 seconds) <u>On the transmitter to be memorised</u> : press and hold any button and wait for the <b>“radio” LED</b> to emit <b>3(*)</b> long flashes (= memorisation completed correctly). Lastly, release the button.
<b>03.</b>	<b>Note</b> - After the 3 long flashes a further 10 seconds remain to memorise an additional transmitter (if desired), starting from Step 02.
At the end of the procedure, the transmitter buttons will be paired with the commands specified in the Mode 1 description (Paragraph 5.4.1).	

## **PROCEDURE B - Memorising a SINGLE BUTTON of a transmitter (CUSTOM mode or Mode 2)**

<b>01.</b>	From the table below choose the command to be paired with the relevant button to be memorised.										
<table border="1" style="width: 100%;"> <thead> <tr> <th style="width: 30%;">Choose the command</th> <th>To memorise the command... (Step 02)</th> </tr> </thead> <tbody> <tr> <td><b>1 - Up</b></td> <td>...press button T2 <b>once</b>.</td> </tr> <tr> <td><b>2 - Stop</b></td> <td>...press button T2 <b>twice</b>.</td> </tr> <tr> <td><b>3 - Down</b></td> <td>...press button T2 <b>3 times</b>.</td> </tr> <tr> <td><b>4 - Step-by-Step</b></td> <td>...press button T2 <b>4 times</b>.</td> </tr> </tbody> </table>		Choose the command	To memorise the command... (Step 02)	<b>1 - Up</b>	...press button T2 <b>once</b> .	<b>2 - Stop</b>	...press button T2 <b>twice</b> .	<b>3 - Down</b>	...press button T2 <b>3 times</b> .	<b>4 - Step-by-Step</b>	...press button T2 <b>4 times</b> .
Choose the command	To memorise the command... (Step 02)										
<b>1 - Up</b>	...press button T2 <b>once</b> .										
<b>2 - Stop</b>	...press button T2 <b>twice</b> .										
<b>3 - Down</b>	...press button T2 <b>3 times</b> .										
<b>4 - Step-by-Step</b>	...press button T2 <b>4 times</b> .										
<b>02.</b>	<u>On the control unit</u> : press and release <u>several times</u> <b>button T2</b> , as indicated near the command chosen in the above table.										
<b>03.</b>	(within 10 seconds) <u>On the transmitter</u> : press and hold the desired button and wait for the <b>“radio” LED</b> to emit <b>3(*)</b> long flashes (= memorisation completed correctly). Lastly, release the button.										
<b>04.</b>	<b>Note</b> - After the 3 long flashes a further 10 seconds remain to memorise an additional button (if desired), starting from Step 01.										
<p><b>(*) - Notes to Procedures A and B:</b></p> <p>The “radio” LED can also emit the following signals:</p> <ul style="list-style-type: none"> <li>- <b>1 fast flash</b>, if the transmitter is already memorised.</li> <li>- <b>6 flashes</b>, if the transmitter's radio coding is not compatible with that of the control unit's receiver.</li> <li>- <b>8 flashes</b>, if the memory is full.</li> </ul>											

## PROCEDURE C - Memorising a transmitter by means of another transmitter already memorised (memorisation far from the control unit)

This procedure allows for memorising a new transmitter by means of a second transmitter already memorised in the same control unit. This enables the new transmitter to receive the same settings as the transmitter already memorised. The procedure does not entail any direct action on button T2 of the control unit, but its mere execution within its reception range.

- |     |   |
|-----|---|
| 01. | On the transmitter <b>to be memorised</b> : press and hold the button to be memorised.                              |
| 02. | On the control unit: after a few seconds (roughly 5) the <b>“radio” LED</b> lights up. Release the transmitter key. |
| 03. | On the transmitter <b>already memorised</b> : press and release <b>3 times</b> the memorised button to be copied.   |
| 04. | On the transmitter <b>to be memorised</b> : press and release <b>once</b> the same button pressed at Step 01.       |

## PROCEDURE D - Deleting a single transmitter (if memorised in Mode 1) or a single transmitter key (if memorised in Mode 2)

- |     |  |
|-----|--|
| 01. | On the control unit: press and hold <b>button T2</b> .<br>– After roughly 4 seconds the <b>“radio” LED</b> lights up steady (continue holding the button down).  |
| 02. | On the transmitter to be deleted from the memory: press and hold a button(*) until the <b>“radio” LED</b> (on the control unit) emits 5 fast flashes (or 1 flash if the transmitter or button is not memorised). |

(\*) **Note** - If the transmitter is memorised in Mode 1, any button can be pressed and the control unit deletes the entire transmitter. If the transmitter is memorised in Mode 2, it is necessary to press the memorised button that must be deleted. To delete additional buttons memorised in Mode 2, repeat the entire procedure for each button that must be deleted.

## PROCEDURE E - Deleting ALL memorised transmitters

- |     |  |
|-----|--|
| 01. | On the control unit: press and hold the <b>“radio” button</b> .<br>– After roughly 4 seconds the <b>“radio” LED</b> lights up steady (continue holding the button down).<br>– After roughly 4 seconds the <b>“radio” LED</b> turns off (continue holding the button down). |
| 02. | When the <b>“radio” LED</b> starts flashing, count 2 flashes and <u>prepare to release the button precisely during the 3<sup>rd</sup> flash</u> that follows.  |
| 03. | After the deletion, the <b>“radio” LED</b> flashes fast.   |
| 04. | Lastly, the <b>“radio” LED</b> emits 5 long flashes to signal that the deletion has been successful.   |



## **PROCEDURE F - Deleting ALL the memory and restoring the default settings**

<b>01.</b>	<p>On the control unit: press and hold the <b>“radio” button</b>.</p> <ul style="list-style-type: none"> <li>– After roughly 4 seconds the <b>“radio” LED</b> lights up steady (continue holding the button down).</li> <li>– After roughly 4 seconds the <b>“radio” LED</b> turns off (continue holding the button down).</li> </ul>
<b>02.</b>	When the <b>“radio” LED</b> starts flashing, count 4 flashes and <u>prepare to release the button precisely during the 5<sup>th</sup> flash that follows.</u>
<b>03.</b>	After the deletion, the <b>“radio” LED</b> flashes fast.
<b>04.</b>	Lastly, the <b>“radio” LED</b> emits 5 long flashes to signal that the deletion has been successful.

## **PROCEDURE G - Locking (or releasing) the memory**

**WARNING! - This procedure locks the memory by preventing the execution of Procedures A, B, C, D, F.**

<b>01.</b>	Disconnect the control unit from the power supply.
<b>02.</b>	On the control unit: press and hold the <b>“radio” button</b> then power the control unit (continue holding the button down).
<b>03.</b>	After 5 seconds the <b>“radio” LED</b> emits 2 slow flashes; release the button.
<b>04.</b>	<p>(within 5 seconds) On the control unit: repeatedly press the <b>“radio” button</b> to choose one of the following options:</p> <ul style="list-style-type: none"> <li>• LED off = <u>Deactivation</u> of the memory lock.</li> <li>• LED on = <u>Activation</u> of the memory lock.</li> </ul>
<b>05.</b>	Five seconds after last pressing the button, the <b>“radio” LED</b> emits 2 slow flashes to signal the end of the procedure.

## 6 TESTING AND COMMISSIONING

These are the most important phases in the automation's arrangement to ensure maximum system safety.

They must be carried out by a qualified and expert technician who must define the necessary tests to verify the solutions adopted to counter any risks present, and check compliance with laws, regulations, standards: in particular, all the requirements of the EN 13241, EN 12445 and EN 12453 standards.

Any supplementary devices must undergo specific testing to verify their operation and correct interaction with the MC200 control unit. Refer to the respective user manuals.

### 6.1 - Testing

The testing procedure can also be performed as a periodic check of the automation devices. Each component of the system (sensitive edges, photocells, warning lights, etc.) requires a specific testing phase; for these devices, observe the testing procedures described in the respective instruction manuals. Run the test as follows:

<b>01.</b>	Ensure that all specifications in the "WARNINGS" chapter have been strictly observed
<b>02.</b>	Using the control button or the transmitter, command the door Closing and Opening manoeuvres. During these movements, make sure that <b>a)</b> the photocells (if present) intervene during the Closing manoeuvre; <b>b)</b> the sensitive edge (if present) intervenes with the set mode; <b>c)</b> that the automatic re-closing of the door (if programmed) occurs in the closing direction. If the results of the tests do not conform to the requirements, make sure that the electrical connections have been made correctly. In particular, refer to the warnings stated in Paragraph 4.3.
<b>03.</b>	Perform several tests to verify that the door moves smoothly, identifying any assembly or adjustment defects and points of excessive friction.
<b>04.</b>	Verify the correct operation of each safety device present in the system (photocells, sensitive edges, etc.).
<b>05.</b>	Check the operation of the photocells (if present) and any interference with other devices: 1 - insert a cylinder (with diameter 5 cm and length 30 cm) between a pair of photocells, first next to the TX photocell then next to the RX photocell, to interrupt the line of sight between them; 2 - verify that this causes the intended action in the control unit: for example, the inversion of movement during the closing manoeuvre.

## 6.2 - Commissioning

Commissioning can only take place once all the testing phases have terminated successfully (Paragraph 6.1). Partial or “makeshift” commissioning is forbidden.

01.	Prepare and store (for at least 10 years) the automation’s technical file, which must include at least: an assembly drawing of the automation; the wiring diagram; the analysis of risks and solutions adopted; the manufacturer’s declaration of conformity for all the devices installed (for the MC200 control unit use the annexed EU Declaration of Conformity); a copy of the automation’s instruction manual and maintenance schedule.
02.	Prepare the declaration of conformity of the automation and hand it to the owner of the automation.
03.	Hand over to the owner the “User Manual” (pull-out insert contained in the automation’s manual).
04.	Draw up the maintenance schedule and hand it to the owner of the automation.
05.	Before commissioning the automation, adequately inform the owner in writing regarding the attendant residual risks.

## 7 PRODUCT DISPOSAL

**This product constitutes an integral part of the automation and, therefore, must be disposed of together with it.**

Similarly to the installation phase, once the product reaches the end of its useful life, the disassembly and scrapping operations must be performed by qualified personnel.

This product is made of various types of materials, some of which can be recycled while others must be scrapped. Seek information on the recycling and disposal systems envisaged by local regulations in your area for this product category.

**⚠ WARNING! - Some parts of the product may contain polluting or hazardous substances which, if released into the environment, constitute serious environmental and health risks.**



As indicated by the adjacent symbol, the product may not be disposed of together with domestic waste. Sort the materials for disposal, according to the methods envisaged by current legislation in your area, or return the product to the retailer when purchasing an equivalent product.

**⚠ WARNING! - Local regulations may envisage the application of heavy fines in the event of improper disposal of this product.**

## 8 TECHNICAL SPECIFICATIONS

⚠ All technical specifications stated herein refer to an ambient temperature of 20°C (± 5° C). • Nice S.p.A. reserves the right to modify its products at any time when deemed necessary, while nonetheless maintaining their intended use and functionality.

### MC200 ELECTRONIC CONTROL UNIT

<b>Power supply:</b>	from: 120 V~ 50/60 Hz to: 230 V~ 50/60 Hz
<b>Maximum power of motor:</b>	450 W (if powered at 120 V); 950 W (if powered at 230 V)
<b>Control signal voltage:</b>	roughly 24 V---
<b>Devices (terminals 8-9):</b>	voltage at roughly 24 V---; max current 100 mA
<b>Safety input:</b>	in configuration with fixed resistor, must be 8.2 kΩ
<b>Operating temperature:</b>	-20°C ... +55°C
<b>Dimensions (mm):</b>	127 x 111 x 45
<b>Weight (g):</b>	300
<b>IP rating:</b>	44

### RADIO RECEIVER (incorporated in the control unit)

<b>Frequency:</b>	433.92 MHz
<b>Radio coding:</b>	FLOR, O-CODE, SMILO

## EU Declaration of Conformity (No. 629/MC200) and declaration of incorporation of “partly-completed machinery”

**Note:** The contents of this declaration correspond to that stated in the official document filed in the offices of Nice S.p.A. and, in particular, to the latest version thereof available prior to the printing of this manual. The text herein has been re-edited for editorial purposes. A copy of the original declaration can be requested from Nice S.p.A. (TV) Italy.

**Revision: 0; Language: EN**

- **Manufacturer's name:** Nice S.p.A.
- **Address:** Via Pezza Alta 13, 31046 Rustignè di Oderzo (TV) Italy
- **Person authorised to compile the technical documentation:** Nice S.p.A. - Via Pezza Alta 13, 31046 Rustignè di Oderzo (TV) Italy
- **Product type:** Control unit for 1 motor 230 V~
- **Model/Type:** MC200
- **Accessories:** Series FLOR, O-CODE, SMILO radio remote controls

The undersigned, Roberto Griffa, as Chief Executive Officer, hereby declares under his own responsibility that the product identified above complies with the provisions of the following directives:

### • **Directive 2014/53/EU (RED)**

- Health and safety (Art. 3(1)(a)): EN 62479:2010
- Electrical safety (Art. 3(1)(a)): EN 60950-1:2006 + A11:2009 + A12:2011 + A1:2010 + A2:2013
- Electromagnetic compatibility (Art. 3(1)(b)): EN 301 489-1 V2.2.0:2017; EN 301 489-3 V2.1.1:2017
- Radio spectrum (Art. 3(2)): EN 300 220-2 V3.1.1:2017

In addition, the product conforms to the following directive in accordance with the provisions applicable to “partly-completed machinery” (Annex II, Part 1, Section B):

- **Directive 2006/42/EC** OF THE EUROPEAN PARLIAMENT AND OF THE COUNCIL OF 17 May 2006 relative to machinery and amending Directive 95/16/EC (recast).
  - It is hereby declared that the relevant technical documentation has been compiled in accordance with Annex VII, Part B, of Directive 2006/42/EC and that the following essential requirements have been applied and fulfilled: 1.1.1 - 1.1.2 - 1.1.3 - 1.2.1 - 1.2.6 - 1.5.1 - 1.5.2 - 1.5.5 - 1.5.6 - 1.5.7 - 1.5.8 - 1.5.10 - 1.5.11
  - The manufacturer undertakes to transmit, in response to a reasoned request by the national authorities, relevant information on the “partly-completed machinery”. This shall be without prejudice to the intellectual property rights of the manufacturer of the “partly-completed machinery”.
  - If the “partly-completed machinery” is commissioned in a European country with an official language other than the language used in this declaration, the importer must include a translation to accompany this declaration.
  - The “partly-completed machinery” must not be commissioned until the final machine in which it is to be incorporated is declared to conform to the provisions of Directive 2006/42/EC, if applicable.

The product also complies with the following standards:  
EN 61000-6-2:2005; EN 61000-6-3:2007 + A1:2011; EN 60335-1:2012 + A11:2014; EN 62233:2008

**Place and Date:** Oderzo, 05/09/2017

Mr. **Roberto Griffa**  
(Chief Executive Officer)



**AVVERTENZE GENERALI: SICUREZZA - INSTALLAZIONE - USO**  
**(istruzioni originali)**

**⚠** Le seguenti avvertenze sono trascritte direttamente dalle Norme e per quanto possibile applicabili al prodotto in oggetto

**ATTENZIONE** Istruzioni importanti per la sicurezza. Seguire tutte le istruzioni poiché l'installazione non corretta può causare gravi danni

**ATTENZIONE** Istruzioni importanti per la sicurezza. Per la sicurezza delle persone è importante seguire queste istruzioni. Conservare queste istruzioni

- Prima di iniziare l'installazione verificare le "Caratteristiche tecniche del prodotto", in particolare se il presente prodotto è adatto ad automatizzare la vostra parte guidata. Se non è adatto, NON procedere all'installazione
- Il prodotto non può essere utilizzato prima di aver effettuato la messa in servizio come specificato nel capitolo "Collaudo e messa in servizio"

**ATTENZIONE** Secondo la più recente legislazione europea, la realizzazione di un'automazione deve rispettare le norme armonizzate previste dalla Direttiva Macchine in vigore, che consentono di dichiarare la presunta conformità dell'automazione. In considerazione di ciò, tutte le operazioni di allacciamento alla rete elettrica, di collaudo, di messa in servizio e di manutenzione del prodotto devono essere effettuate esclusivamente da un tecnico qualificato e competente!

- Prima di procedere con l'installazione del prodotto, verificare che tutto il materiale da utilizzare sia in ottimo stato ed adeguato all'uso
- Il prodotto non è destinato a essere usato da persone (bambini compresi) le cui capacità fisiche, sensoriali o mentali siano ridotte, oppure con mancanza di esperienza o di conoscenza
- I bambini non devono giocare con l'apparecchio
- Non permettere ai bambini di giocare con i dispositivi di comando del prodotto. Tenere i telecomandi lontano dai bambini

**ATTENZIONE** Al fine di evitare ogni pericolo dovuto al riarmo accidentale del dispositivo termico di interruzione, questo apparecchio non deve essere alimentato con un dispositivo di manovra esterno, quale un temporizzatore, oppure essere connesso a un circuito che viene regolarmente alimentato o disalimentato dal servizio

- Nella rete di alimentazione dell'impianto prevedere un dispositivo di disconnessione (non in dotazione) con una distanza di apertura dei contatti che consenta la disconnessione completa nelle condizioni dettate dalla categoria di sovratensione III
- Durante l'installazione maneggiare con cura il prodotto evitando schiacciamenti, urti, cadute o contatto con liquidi di qualsiasi natura. Non mettere il prodotto vicino a fonti di calor e, né esporlo a fiamme libere. Tutte queste azioni possono danneggiarlo ed essere causa di malfunzionamenti o situazioni di pericolo. Se questo accade, sospendere immediatamente l'installazione e rivolgersi al Servizio Assistenza
- Il produttore non si assume alcuna responsabilità per danni patrimoniali, a cose o a persone derivanti dalla non osservanza delle istruzioni di montaggio. In questi casi è esclusa la garanzia per difetti materiali
- La pulizia e la manutenzione destinata ad essere effettuata dall'utilizzatore non deve essere effettuata da bambini senza sorveglianza
- Prima degli interventi sull'impianto (manutenzione, pulizia), disconnettere sempre il prodotto dalla rete di alimentazione
- Il materiale dell'imballo del prodotto deve essere smaltito nel pieno rispetto della normativa locale
- Durante l'esecuzione della manovra controllare l'automazione e mantenere le persone lontano da essa, fino al termine del movimento
- Non comandare il prodotto se nelle sue vicinanze ci sono persone che svolgono lavori sull'automazione; scollegate l'alimentazione elettrica prima di far eseguire questi lavori

## 1 DESCRIZIONE DEL PRODOTTO E DESTINAZIONE D'USO

**MC200** è una centrale elettronica che permette il controllo e il comando di un motore destinato all'automatizzazione di una serranda, o di una porta basculante, o di una porta sezionale, o di una tapparella oppure di altre applicazioni similari.

**⚠ ATTENZIONE! - Qualsiasi altro uso diverso da quello descritto e in condizioni ambientali diverse da quelle riportate in questo manuale è da considerarsi improprio e vietato!**

Caratteristiche funzionali:

- si collega alla rete elettrica (vedere i dati nel capitolo "Caratteristiche Tecniche del prodotto");
- si programma tramite l'impostazione di 8 dip-switch;
- è dotata di un ricevitore radio incorporato che permette di comandare l'automazione tramite un trasmettitore radio;
- si possono collegare alla centrale diversi accessori quali: una coppia di fotocellule, un lampeggiante (con alimentazione a tensione di rete) per segnalazioni luminose, un pulsante a parete per comandare l'automazione con comandi di tipo "passo-passo", un'antenna radio esterna, un bordo sensibile eccetera.
- è dotata di un connettore tipo "IBT4N", compatibile con l'interfaccia IBT4N, che consente di collegare tutti i dispositivi dotati di interfaccia BusT4 come, ad esempio, l'unità di programmazione Oview.

## 2 LIMITI D'IMPIEGO

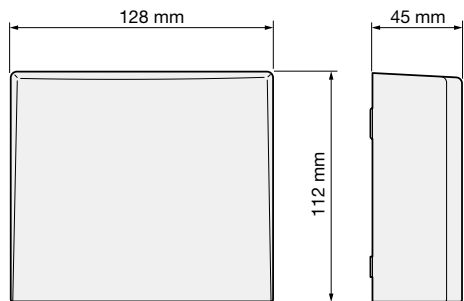
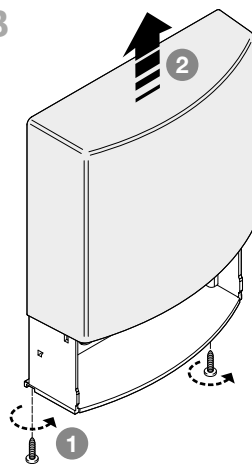
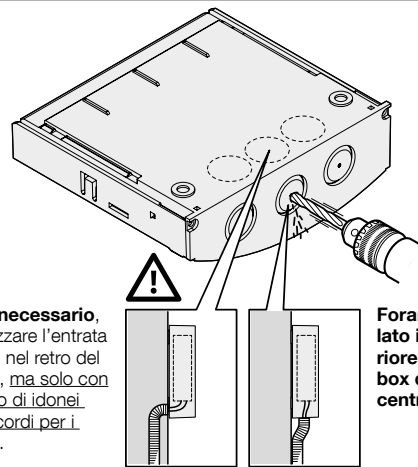
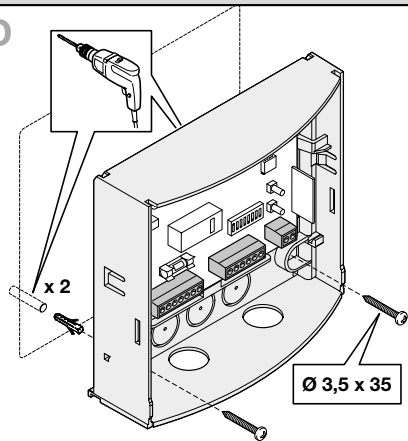
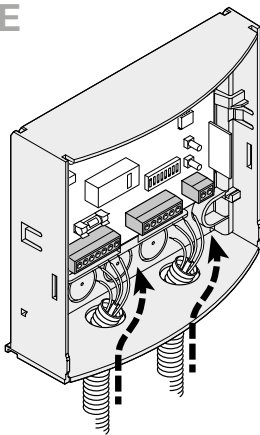
- La centrale MC200 può essere utilizzata esclusivamente con un motore asincrono monofase. Il motore deve essere: **a)** alimentato dalla rete elettrica, e deve essere dimensionato per la stessa tensione che alimenta la centrale; **b)** provvisto di un protettore termico; **c)** provvisto di un dispositivo elettromeccanico che ne limita il movimento (fincorsa); **d)** fornito di collegamenti a 3 conduttori: “Comune”, “Apri”, “Chiudi”.
- Il ricevitore radio incorporato nella centrale permette l'uso esclusivo dei trasmettitori che adottano i protocolli di codifica radio **FLOR, O-CODE** o **SMILO** (sono degli standard di Nice).
- Ulteriori limiti d'impiego sono riportati nel capitolo “Caratteristiche Tecniche del prodotto”.

## 3 INSTALLAZIONE

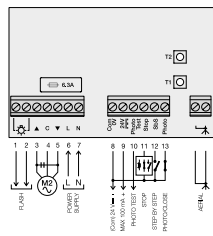
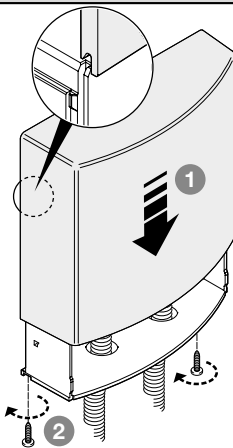
- ⚠ **Importante!** - Prima di eseguire l'installazione del prodotto verificare i suoi limiti d'impiego leggendo il capitolo 2 e 7.
- ⚠ **Accertarsi che la temperatura sia idonea all'ambito di applicazione.**
- ⚠ **Il prodotto non deve essere installato in ambiente esterno.**
- ⚠ **Quando si effettua la foratura del box della centrale per il passaggio dei cavi (fig. 1-C) è importante sapere che il punto di entrata dei cavi nel box deve avvenire sempre nella parte bassa del box. Inoltre, prendere le opportune precauzioni per garantire il grado di protezione richiesto (IP 44), in base al tipo di installazione.**
- ⚠ **Prima di eseguire l'installazione preparare i cavi elettrici necessari al vostro impianto, facendo riferimento alla fig. 2b e alla “Tabella 1 - Caratteristiche tecniche dei cavi elettrici”.**
- ⚠ **Attenzione!** – Durante la posa in opera dei tubi di protezione dei cavi elettrici e la posa dei cavi nel contenitore della centrale, è importante sapere che, a causa di possibili depositi d'acqua presenti nei pozzetti di derivazione, i tubi di protezione dei cavi possono creare del vapore acqueo all'interno della centrale e che ciò può danneggiare i circuiti elettronici.

Installare la centrale facendo riferimento alla **fig. 1**.



**1****A****B****C****D****E****F**

**Collegamenti elettrici.**  
Fare riferimento al Capitolo 4

**G**

## 4 COLLEGAMENTI ELETTRICI

**⚠ ATTENZIONE!** – Tutti i collegamenti elettrici devono essere eseguiti in assenza di tensione all'impianto. Collegamenti errati possono causare danni alle apparecchiature o alle persone.

**⚠ ATTENZIONE!** – Le operazioni di collegamento devono essere eseguite esclusivamente da personale qualificato.

### 4.1 - Predisposizione dei cavi elettrici per il collegamento dei dispositivi alla centrale (Tabella A)

**Tabella A** - Caratteristiche dei cavi elettrici per i collegamenti

Dispositivo da collegare	Sezione del cavo	Lunghezza massima del cavo
ALIMENTAZIONE PER LA CENTRALE DI COMANDO	N°1 cavo: 2 x 1,5 mm <sup>2</sup>	30 m <b>(*1)</b>
LAMPEGGIANTE CON ANTENNA RADIO	N°1 cavo: 2 x 1,5 mm <sup>2</sup> (per la lampadina) N°1 cavo schermato tipo RG58 (per l'antenna)	20 m 20 m (consigliato < di 5 m)
DISPOSITIVI COLLEGATI AI MORSETTI 8-9-10-11-12-13	N°6 cavi: 1 x 0,5 mm <sup>2</sup> <b>(*2)</b>	50 m
ALIMENTAZIONE PER IL MOTORE	N°3 cavi: 1 x 1,5 mm <sup>2</sup>	10 m

**(\*1)** – Se il cavo di alimentazione è più lungo di 30 m occorre un cavo con sezione maggiore, ad esempio, 2 x 2,5 mm<sup>2</sup>.  
**(\*2)** – Questi 6 cavi possono essere sostituiti da 1 unico cavo da 6 x 0,5 mm<sup>2</sup>.

**ATTENZIONE!** – I cavi utilizzati devono essere adatti al tipo di ambiente in cui avviene l'installazione.

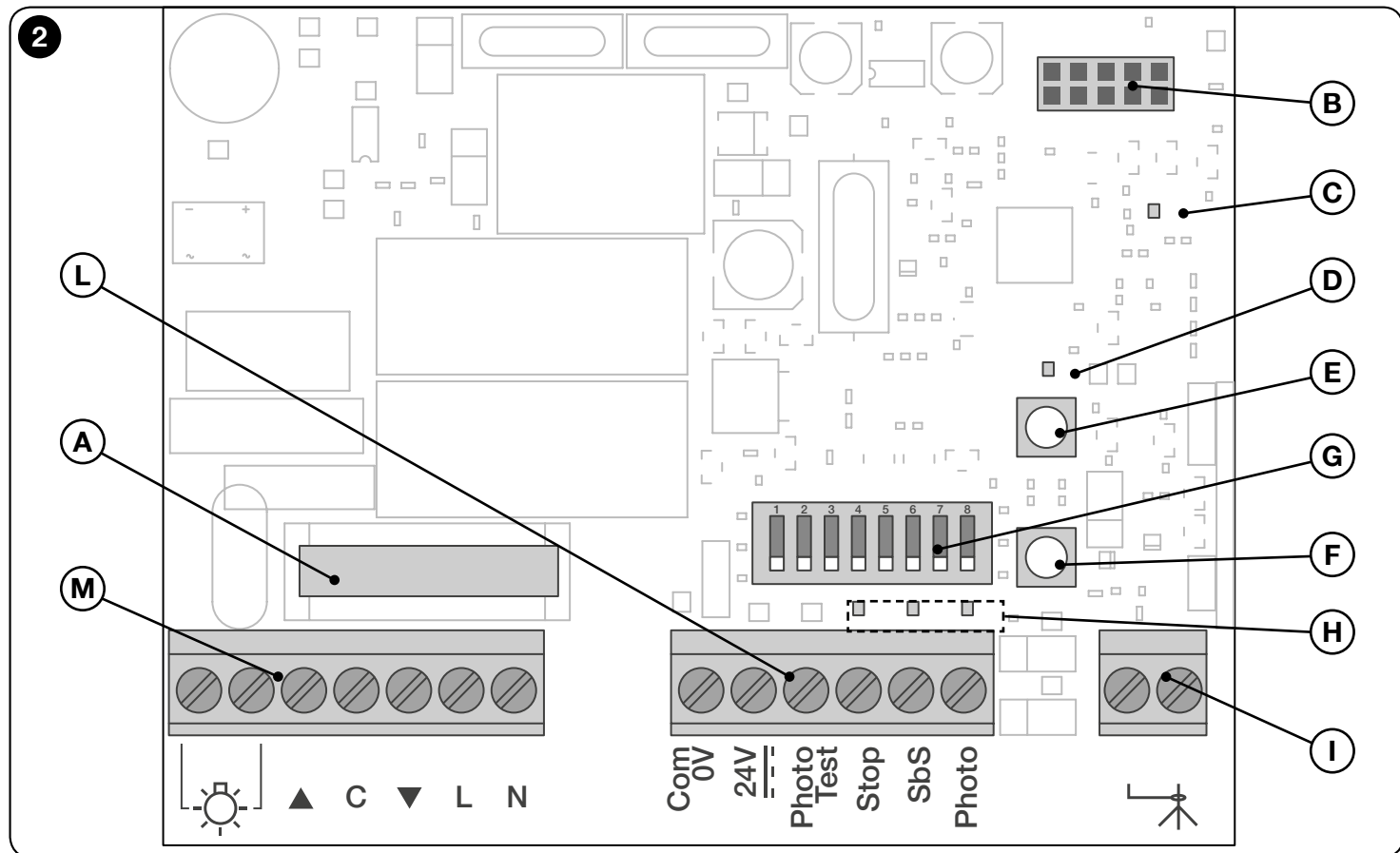
### 4.2 - Elenco delle parti che compongono la centrale

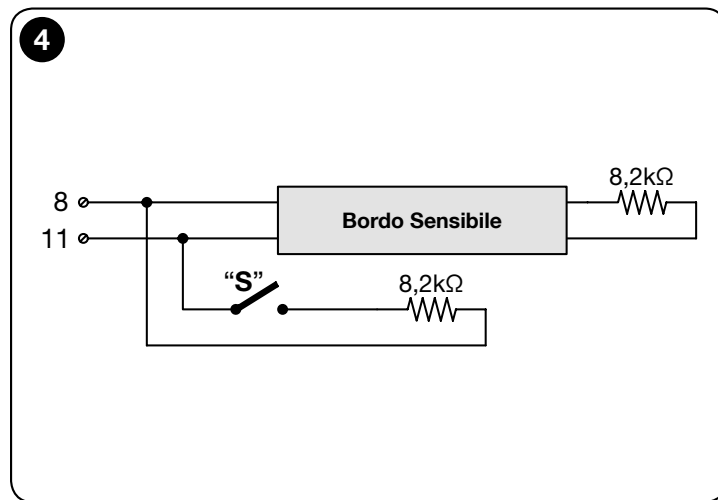
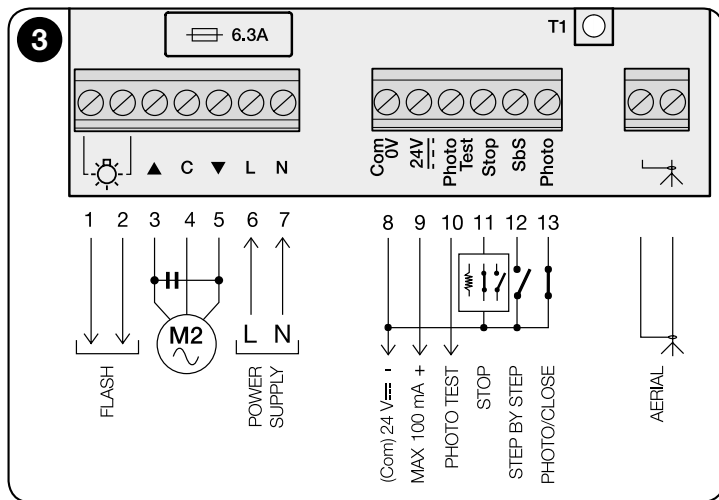
Durante le successive fasi di collegamento e di programmazione della centrale, per individuare i componenti citati nel testo fare riferimento alla **fig. 2** e alla sua legenda.

- A** - Fusibile di linea (6,3 A)
- B** - Connettore per inserire l'interfaccia IBT4N
- C** - Led "OK"
- D** - Led "radio"
- E** - Pulsante T2, per la memorizzazione di un trasmettitore e per la cancellazione di un trasmettitore o di tutta la memoria della centrale
- F** - Pulsante T1, per la programmazione e per l'invio dei comandi Passo-passo

- G** - Dip-switch per la programmazione delle funzioni
- H** - Led ingressi ("Stop", "SbS", "Photo")
- I** - Morsetti per antenna radio

- L** - Morsetti per gli ingressi a bassa tensione
- M** - Morsetti per il collegamento della linea di alimentazione e per il motore





## 4.3 - Collegamenti di base

### • Collegamento del motore alla centrale MC200

Collegare i 3 conduttori provenienti dal motore (Fase di salita, Comune, Fase di discesa) rispettivamente ai **morsetti 3, 4 e 5** della centrale, come mostrato nella **fig. 3**.

**ATTENZIONE!** Prima di collegare il motore è tassativo accertarsi che il conduttore che verrà collegato al **morsetto 3** faccia **APRIRE** la porta, che il conduttore che verrà collegato al **morsetto 5** faccia **CHIUDERE** la porta e che il conduttore che verrà collegato al **morsetto 4** sia il **COMUNE**.

**Attenzione!** – Non collegare più motori in parallelo ad una stessa centrale, se non espressamente previsto dal manuale istruzioni del motore; eventualmente utilizzare le apposite schede di espansione.

### • Collegamento dell'alimentazione alla centrale MC200

Collegare i 2 provenienti dalla rete elettrica (Fase e Neutro), rispettivamente ai **morsetti 6 e 7** della centrale, come mostrato nella **fig. 3**.

### • Collegamento a Terra del motore

**Attenzione!** - Per rispettare i requisiti di sicurezza elettrica richiesti dalla classe di appartenenza del prodotto (Classe II), è obbligatorio effettuare il collegamento di messa a Terra del motore, **all'esterno della centrale MC200**.

## 4.4 - Collegamento degli accessori

Per collegare gli accessori previsti fare riferimento alla **Tabella B**, alla **fig. 3** e al manuale d'istruzione di ogni accessorio. La **Tabella B** riassume tutti gli accessori collegabili sui morsetti della centrale e le specifiche per effettuare i collegamenti elettrici. Prima di procedere, leggere attentamente la tabella e le sue note. **Nota** – Poiché alcuni ingressi offrono diverse funzioni per il collegamento degli accessori, al termine dei collegamenti sarà necessario impostare i dip-switch secondo gli accessori collegati (vedere il capitolo 5 - Programmazione).

**Tabella B** - Funzione dei morsetti (ingressi e uscite)

Morsetti	Descrizione della Funzione
1 - 2	<b>Uscita</b> per un segnalatore luminoso lampeggiante alla tensione di rete.
3 - 4 - 5	<b>Uscita</b> per il comando del motore (apre, comune, chiude).
6 - 7	<b>Ingresso</b> per la linea di alimentazione proveniente dalla rete elettrica (fase, neutro).
8	Riferimento a 0 Volt per il conduttore "Comune" dei dispositivi collegati nei morsetti <b>9, 10, 11, 12 e 13</b> .
9	<b>Uscita 24 V.</b> Uscita per i Servizi (ad esempio, le fotocellule) con alimentazione a 24 V=== (bassa tensione): corrente massima assorbibile: 100 mA.
10	<b>Uscita Photo test.</b> Uscita a 24 V=== per una fotocellula di trasmissione (TX), oppure per una spia-porta-aperta. Corrente massima assorbibile: 50 mA.
11	<b>Ingresso Stop.</b> Ingresso per i dispositivi di sicurezza con resistenza costante 8,2kΩ (bordo sensibile ecc.).
12	<b>Ingresso SbS.</b> Ingresso per un pulsante NA (normalmente aperto), per l'invio di comandi con la modalità passo-passo.
13	<b>Ingresso Photo.</b> Ingresso per una fotocellula di ricezione (RX) normalmente chiusa (NC), oppure per un pulsante NA (normalmente aperto).
14 - 15	<b>Ingresso</b> per un'antenna-ricevitore radio.

## 4.5 - Come gestire l'uscita "Photo test" e gli ingressi "Stop", "SbS", "Photo"

### 4.5.1 - Uscita Photo test (morsetto 10)

Questa uscita deve essere configurata con il dip-switch di programmazione **7** in base al tipo di dispositivo collegato: se viene collegata una fotocellula di trasmissione (TX), il dip-switch deve essere impostato in ON; se invece viene collegata una spia-porta-aperta, il dip-switch deve essere impostato in OFF.

**NOTE** • Se a questa uscita viene collegata una spia-porta-aperta, la fotocellula TX deve essere collegata al morsetto **9**. • Le segnalazioni della spia-porta-aperta hanno i seguenti significati:

spia spenta = porta chiusa; spia accesa = porta aperta; lampeggio lento = porta in apertura; lampeggio veloce = porta in chiusura.

### 4.5.2 - Ingresso Stop (morsetto 11)

Questo ingresso deve essere configurato con il dip-switch di programmazione **1 - 2** in base al tipo di dispositivo collegato: contatti normalmente

chiusi (NC), contatti normalmente aperti (NA) oppure contatti a resistenza costante (8,2kΩ). **Attenzione!** - Solo l'utilizzo di un contatto a resistenza costante insieme all'impostazione OFF+OFF dei dip-switch **1 - 2** garantisce il livello minimo di resistenza ai guasti, richiesto dalle normative. Normalmente l'intervento del dispositivo collegato all'ingresso Stop provoca l'arresto immediato del movimento del motore, con una breve inversione della manovra (selezionabile con il dip-switch **3**). Per disattivare questa inversione all'intervento del dispositivo di sicurezza (ad esempio, quando il bordo sensibile tocca il pavimento) è possibile utilizzare un contatto "**S**" (con una resistenza da 8,2kΩ collegata in serie) da collegare in parallelo al bordo sensibile (vedere la **fig. 4**). Il contatto "**S**" deve essere posizionato in modo che egli si chiuda negli ultimi 30/40 mm della manovra di chiusura, prima che intervenga il bordo sensibile. In questo modo, quando il contatto "**S**" si chiude e il bordo sensibile interviene (ad esempio, sul pavimento), l'automazione si blocca senza invertire la manovra e la porta resta completamente chiusa. Da questo stato il sistema permette di comandare solo la manovra di apertura.

Lo stato dell'ingresso Stop viene segnalato dal Led "Stop" con i significati indicati nella **Tabella C**.

<b>Tabella C - Stato dell'ingresso "STOP" segnalato dal relativo Led</b>	
<b>Segnalazione del Led "Stop"</b>	<b>Significato (stato dell'ingresso Stop)</b>
<b>Acceso</b>	Attivo (consenso alla manovra)
<b>Spento</b>	Non attivo (manovra bloccata)
<b>50% acceso + 50% spento</b>	Inversione disattivata
<b>20% acceso + 80% spento</b>	Non attivo, con inversione disattivata (consentita solo la manovra di apertura)

#### **4.5.3 - Ingresso SbS (morsetto 12)**

Ogni volta che si preme il pulsante collegato a questo ingresso il sistema esegue il comando successivo all'ultimo comando inviato, secondo una sequenza stabilita in fabbrica, programmabile con il dip-switch 5 (ad esempio, > apre > stop > chiude > stop > daccapo...). Se il pulsante di comando viene premuto a lungo (da 4 a 10 secondi), il sistema comanda sempre una manovra di apertura; se invece si superano i 10 secondi il sistema comanda sempre una manovra di chiusura. Questa particolare funzione può essere utile in presenza di più centrali, quando si vuole comandare queste nello stesso istante e si desidera che le rispettive porte eseguano la stessa manovra, indipendentemente dallo stato in cui si trova ciascuna centrale.

#### **4.5.4 - Ingresso Photo (morsetto 13)**

Questo ingresso deve essere configurato con il dip-switch di programmazione **4** in base al tipo di dispositivo collegato: se viene collegata una fotocellula di ricezione (RX) normalmente chiusa (NC), il dip-switch deve essere impostato in OFF; se invece viene collegato un pulsante NA (normalmente aperto), il dip-switch deve essere impostato in ON. **Nota** – Se è stata collegata una fotocellula di ricezione (RX) normalmente chiusa (NC), in assenza di consenso può essere eseguita solo la manovra di apertura.

## 5 PROGRAMMAZIONE

**IMPORTANTE!** - Al termine di tutti i collegamenti, dare tensione elettrica alla centrale ed effettuare le programmazioni impostando gli otto dip-switch sulla scheda, in base alla tipologia dei dispositivi collegati e alle funzioni che si desidera attivare o disattivare. Per eseguire le programmazioni fare riferimento alla Tabella D.

Tabella D - Impostazione dei Dip-switch		
Dip-switch	Impostazione	Descrizione della Funzione impostata
Switch 1 - 2	(1) OFF; (2) OFF	Abilita l'ingresso Stop al collegamento di un contatto a resistenza costante 8,2kΩ, <u>senza il pulsante "S" che esclude l'inversione</u> (vedere <b>fig. 4</b> )
	(1) OFF; (2) ON	Abilita l'ingresso Stop al collegamento di un contatto a resistenza costante 8,2kΩ, <u>con il pulsante "S" che interviene a 30/40 mm dal finecorsa per escludere l'inversione</u> (vedere <b>fig. 4</b> )
	(1) ON; (2) OFF	Abilita l'ingresso Stop al collegamento di un contatto NA (normalmente aperto)
	(1) ON; (2) ON	Abilita l'ingresso Stop al collegamento di un contatto NC (normalmente chiuso)
Switch 3	OFF	Abilita l'ingresso Stop a fermare la manovra in atto ed eseguire <u>una breve inversione del movimento</u>
	ON	Abilita l'ingresso Stop a fermare la manovra in atto
Switch 4	OFF	Abilita l'ingresso Photo al collegamento delle fotocellule
	ON	Abilita l'ingresso Photo ad essere usato come comando di chiusura
Switch 5	OFF	Abilita i seguenti comandi ciclici, di tipo passo-passo: > Apre > Stop > Chiude > Stop > (daccapo...)
	ON	Abilita i seguenti comandi ciclici, di tipo passo-passo: > Apre > Stop > (daccapo...)
Switch 6	OFF	Disabilita la funzione condominiale
	ON	Abilita la funzione condominiale
Switch 7	OFF	Abilita la funzione "Spia-porta-aperta"
	ON	Abilita la funzione Photo Test
Switch 8	OFF	Disabilita il "Tempo Pausa" per la richiusura automatica della porta, dopo un comando di apertura
	ON	Abilita il "Tempo Pausa" per la richiusura automatica della porta, dopo un comando di apertura

## 5.1 - Approfondimento di alcune funzioni e opzioni programmabili

### 5.1.1 - Dip-switch 1 e 2 (per l'ingresso Stop)

Questi dip-switch servono a programmare l'ingresso Stop in base alla tipologia del dispositivo di sicurezza che vi è stato collegato:

- Contatto a resistenza costante 8,2k $\Omega$ , con inversione.
- Contatto a resistenza costante 8,2k $\Omega$ , senza inversione.
- Contatto NA (normalmente aperto).
- Contatto NC (normalmente chiuso).

### 5.1.2 - Dip-switch 5 (per l'ingresso SbS)

Se l'ingresso SbS viene programmato con la sequenza di comandi passo-passo: **> Apre > Stop > (daccapo...)**, dunque, con il dip-switch 5 in ON, durante l'uso dell'automazione non sarà possibile comandare la chiusura della porta. Questo comando si potrà dare solo programmando la richiusura automatica (dip-switch 8 in ON) oppure tramite un trasmettitore radio.

### 5.1.3 - Dip-switch 6

- **Durante una manovra di apertura:** se la funzione condominiale è abilitata (dip-switch 6 in ON), impedisce che l'invio di un comando di apertura o di un comando passo-passo fermi la manovra o la inverta prima che questa si concluda nel suo finecorsa.
- **Durante una manovra di chiusura:** se la funzione condominiale è abilitata (dip-switch 6 in ON), l'invio di un comando di apertura o di un comando passo-passo ferma la manovra ed inverte il movimento, facendo riaprire la porta.

## 5.2 - Memorizzazione delle impostazioni dei Dip-Switch

Dopo aver impostato tutti i dip-switch (oppure in seguito, ogni volta che si desidera modificare l'impostazione di uno o più dip-switch) è necessario memorizzare nella centrale le impostazioni effettuate, operando nel modo seguente: quando il **Led "OK"** inizia a lampeggiare (con colore verde/rosso) significa che uno o più dip-switch sono stati spostati. Quindi, per memorizzare la nuova impostazione premere e mantenere premuto il **pulsante T1** sulla centrale, fino a quando il **Led "OK"** resta acceso fisso, con colore verde. Alla fine, rilasciare il tasto.

## 5.3 - Programmazione del "Tempo Lavoro" del motore e del "Tempo Pausa" per la richiusura automatica

Il "Tempo Lavoro" e il "Tempo Pausa" sono due parametri di base della centrale e si programmano uno dopo l'altro, con la stessa procedura. Questi parametri possono essere programmati solo dopo aver impostato e memorizzato tutti i dip-switch.

- **Che cos'è il "Tempo Lavoro"?** È il tempo massimo entro il quale la centrale mantiene alimentato il motore dall'istante in cui si invia un comando. Questo tempo deve essere sufficiente a far completare la manovra al motore (raggiungimento del finecorsa). Il valore di fabbrica (o dopo una cancellazione totale della memoria) è di 120 secondi. È possibile però modificare questo valore programmando un tempo di 5 secondi (minimo) fino a 120 secondi (massimo). La procedura prevede la misurazione in auto-apprendimento del tempo necessario al motore per completare una



manovra. Per questo motivo è necessario misurare la manovra più gravosa per il motore (quindi, quella più lenta) che, normalmente, è la partenza del movimento da un finecorsa. **Attenzione!** - Si consiglia di programmare un tempo leggermente più lungo (di qualche secondo) rispetto a quello necessario a completare la manovra.

• **Che cos'è il "Tempo Pausa"?** È il tempo che la centrale attende prima di richiudere automaticamente la porta, dopo che l'utente ha inviato il comando di apertura (funzione: richiusura automatica). Il Tempo Pausa programmabile va da 5 secondi (minimo) fino a 120 secondi (massimo). Il Tempo Pausa può anche essere eliminato del tutto; questo serve a disabilitare la richiusura automatica.

#### Per memorizzare il "Tempo Lavoro" e il "Tempo Pausa"

01. Portare la porta nel finecorsa basso.
02. Premere e mantenere premuto il tasto **T1** sulla centrale: appena il motore parte verso il finecorsa alto, iniziare a contare 5 secondi. Al termine dei 5 secondi la centrale inizia a memorizzare la durata della manovra;
03. continuare a mantenere premuto il tasto **T1**; attendere la fine della manovra nel finecorsa alto; attendere ancora qualche secondo e, infine, rilasciare il tasto. Il motore si arresta e la centrale memorizza il nuovo Tempo di Lavoro appena conteggiato.
04. Entro 2 secondi dall'arresto del motore, premere e mantenere premuto il tasto **T1** sulla centrale: da questo momento inizia la misurazione del **Tempo Pausa**.
05. Rilasciare il tasto **T1** dopo che è trascorso il tempo che si desidera (massimo 120 secondi); la centrale comanda al motore una manovra di discesa e, nel frattempo, memorizza il **tempo appena misurato**. Questo tempo verrà usato in seguito per la richiusura automatica della porta.

**IMPORTANTE** - Il Tempo Pausa programmato verrà eseguito solo se il dip-switch 8 è impostato in ON.

#### Per modificare il "Tempo Lavoro" e il "Tempo Pausa"

01. Se si desidera modificare solo il "Tempo Lavoro", ripetere la procedura dall'inizio e fermarsi al passo 4.

#### Per disabilitare il "Tempo Pausa"

01. Se si desidera disabilitare la richiusura automatica e, dunque, eliminare il Tempo Pausa, è necessario ripetere la procedura dall'inizio e fermarsi al passo 4. In alternativa la richiusura automatica può essere disabilitata mettendo in off il dip-switch 8.

## 5.4 - Memorizzazione dei trasmettitori

Il ricevitore radio incorporato nella centrale è compatibile con tutti i trasmettitori che adottano i protocolli di codifica radio **FLOR**, **O-CODE** o **SMILO** (sono degli standard di Nice).

### 5.4.1 - Due modalità per memorizzare i tasti dei trasmettitori

Tra le procedure disponibili per memorizzare i trasmettitori, alcune permettono di memorizzarli in modalità "standard" (o Modo 1) e altre in modalità "personalizzata" (o Modo 2).

#### • **Memorizzazione STANDARD (chiamata anche "Modo 1")**

Le procedure di questo tipo permettono di memorizzare contemporaneamente, durante la loro esecuzione, tutti i tasti presenti sul trasmettitore. Il sistema abbinna automaticamente ad ogni tasto un comando prestabilito in fabbrica, secondo il seguente schema:

Comando	Tasto
<b>n° 1 - Salita</b>	verrà abbinato al <b>1° tasto / tasto 1 / tasto ▲</b>
<b>n° 2 - Stop</b>	verrà abbinato al <b>2° tasto / tasto 2 / tasto ■</b>
<b>n° 3 - Discesa</b>	verrà abbinato al <b>3° tasto / tasto 3 / tasto ▼</b>
<b>n° 4 - Passo-passo</b>	verrà abbinato al <b>4° tasto / tasto 4</b> (se il tasto è presente sul trasmettitore).
<b>Nota</b> - Normalmente i tasti dei trasmettitori sono identificati con simboli o numeri. Se questi non sono presenti sul vostro trasmettitore, per identificare qual è il 1° tasto, il 2° tasto eccetera, fare riferimento alla <b>fig. 5</b> .	

#### • **Memorizzazione PERSONALIZZATA (chiamata anche "Modo 2")**

Le procedure di questo tipo permettono di memorizzare, durante la loro esecuzione, un singolo tasto tra quelli presenti sul trasmettitore, abbinandolo a uno dei seguenti comandi disponibili: **Salita**, **Stop**, **Discesa**, **Passo-passo**.

La scelta del tasto e del comando da abbinargli viene fatta dall'installatore, in base alle necessità dell'automazione.

### 5.4.2 - Numero di trasmettitori memorizzabili

Il ricevitore della centrale possiede **192 locazioni di memoria**. Una locazione può memorizzare alternativamente un singolo trasmettitore (cioè l'insieme dei suoi tasti e comandi) oppure un singolo tasto con il relativo comando.

## PROCEDURE

**ATTENZIONE!** - Per poter eseguire le Procedure **A, B, C, D, E**, la memoria della centrale deve essere **sbloccata**. Se è bloccata, effettuare la **Procedura G** per sbloccarla.

## PROCEDURA A - Memorizzazione di TUTTI i tasti di un singolo trasmettitore (modalità STANDARD o Modo 1)

01. Sulla centrale: premere e mantenere premuto il **tasto T2** fino all'accensione del **Led "radio"**; quindi, rilasciare il tasto.
02. (entro 10 secondi) Sul trasmettitore che si desidera memorizzare: mantenere premuto un tasto qualsiasi e attendere che il **Led "radio"** effettui 3(\*) lampeggi lunghi (= memorizzazione avvenuta correttamente). Infine, rilasciare il tasto.
03. **Nota** - Dopo i 3 lampeggi lunghi sono disponibili altri 10 secondi per memorizzare un ulteriore trasmettitore (se lo si desidera), partendo dal passo 02.

Al termine della Procedura i tasti del trasmettitore risulteranno abbinati ai comandi specificati nella descrizione del Modo 1 (paragrafo 5.4.1).

## PROCEDURA B - Memorizzazione di un SINGOLO TASTO di un trasmettitore (modalità PERSONALIZZATA o Modo 2)

01. Nella tabella in basso, scegliere il comando che si desidera abbinare al tasto da memorizzare.

Scegliere il Comando	Per memorizzare il comando... (passo 02)
<b>n° 1 - Salita</b>	...premere il tasto T2 <b>1 volta</b> .
<b>n° 2 - Stop</b>	...premere il tasto T2 <b>2 volte</b> .
<b>n° 3 - Discesa</b>	...premere il tasto T2 <b>3 volte</b> .
<b>n° 4 - Passo-passo</b>	...premere il tasto T2 <b>4 volte</b> .

02. Sulla centrale: premere e rilasciare tante volte il **tasto T2**, come indicato in corrispondenza del comando prescelto nella tabella in alto.
03. (entro 10 secondi) Sul trasmettitore: mantenere premuto il tasto che si desidera memorizzare e attendere che il **Led "radio"** effettui 3(\*) lampeggi lunghi (= memorizzazione avvenuta correttamente). Infine, rilasciare il tasto.
04. **Nota** - Dopo i 3 lampeggi lunghi sono disponibili altri 10 secondi per memorizzare un ulteriore tasto (se lo si desidera), partendo dal passo 01.

### (\*) - Note alle Procedure A e B:

Il Led "radio" può eseguire anche le seguenti segnalazioni:

- **1 lampeggio veloce**, se il trasmettitore è già memorizzato.
- **6 lampeggi**, se la codifica radio del trasmettitore non è compatibile con quella del ricevitore della centrale.
- **8 lampeggi**, se la memoria è piena.

## PROCEDURA C - Memorizzazione di un trasmettitore mediante un altro trasmettitore già memorizzato (memorizzazione a distanza dalla centrale)

Questa procedura permette di memorizzare un nuovo trasmettitore mediante l'utilizzo di un secondo trasmettitore, già memorizzato nella stessa centrale. Questo consente al nuovo trasmettitore di ricevere le stesse impostazioni di quello già memorizzato. Lo svolgimento della procedura non prevede l'azione diretta sul tasto T2 della centrale, ma il semplice svolgimento all'interno del suo raggio di ricezione.

- |     |  |
|-----|--|
| 01. | Sul trasmettitore <b>da memorizzare</b> : premere e mantenere premuto il tasto che si desidera memorizzare.                      |
| 02. | Sulla centrale: dopo qualche secondo (circa 5) si accende il <b>Led "radio"</b> . Quindi, rilasciare il tasto del trasmettitore. |
| 03. | Sul trasmettitore <b>già memorizzato</b> : premere e rilasciare per <b>3 volte</b> il tasto memorizzato che si desidera copiare. |
| 04. | Sul trasmettitore <b>da memorizzare</b> : premere e rilasciare <b>1 volta</b> lo stesso tasto premuto al punto 01.               |

## PROCEDURA D - Cancellazione di un singolo trasmettitore (se memorizzato in Modo 1) o di un singolo tasto di un trasmettitore (se memorizzato in Modo 2)

- |     |  |
|-----|--|
| 01. | Sulla centrale: premere e mantenere premuto il <b>tasto T2</b> .<br>– Dopo circa 4 secondi il <b>Led "radio"</b> si accende con luce fissa (continuare a mantenere premuto il tasto).  |
| 02. | Sul trasmettitore che si desidera cancellare dalla memoria: premere e mantenere premuto un tasto(*) fino a quando il <b>Led "radio"</b> (sulla centrale) emette 5 lampeggi veloci (oppure 1 lampeggio se il trasmettitore o il tasto non è memorizzato). |

(\*) **Nota** - Se il trasmettitore è memorizzato in Modo 1 si può premere un tasto qualsiasi e la centrale cancella l'intero trasmettitore. Se il trasmettitore è memorizzato in Modo 2, occorre premere il tasto memorizzato che si desidera cancellare. Per cancellare ulteriori tasti memorizzati in Modo 2, ripetere l'intera procedura per ogni tasto che si desidera cancellare.

## PROCEDURA E - Cancellazione di TUTTI i trasmettitori memorizzati

- |     |   |
|-----|---|
| 01. | Sulla centrale: premere e mantenere premuto il <b>tasto "radio"</b> .<br>– Dopo circa 4 secondi il <b>Led "radio"</b> si accende con luce fissa (continuare a mantenere premuto il tasto).<br>– Dopo circa 4 secondi il <b>Led "radio"</b> si spegne (continuare a mantenere premuto il tasto). |
| 02. | Quando il <b>Led "radio"</b> inizia a lampeggiare, contare 2 lampeggi e prepararsi a rilasciare il tasto <b>esattamente durante il 3° lampeggio</b> che segue.  |
| 03. | Durante la cancellazione il <b>Led "radio"</b> lampeggia velocemente.   |
| 04. | Infine, il <b>Led "radio"</b> effettua 5 lampeggi lunghi per segnalare che la cancellazione è avvenuta correttamente.   |

## **PROCEDURA F - Cancellazione di TUTTA la Memoria e ripristino delle impostazioni di fabbrica**

<b>01.</b>	<u>Sulla centrale</u> : premere e mantenere premuto il <b>tasto “radio”</b> . – Dopo circa 4 secondi il <b>Led “radio”</b> si accende con luce fissa (continuare a mantenere premuto il tasto). – Dopo circa 4 secondi il <b>Led “radio”</b> si spegne (continuare a mantenere premuto il tasto).
<b>02.</b>	Quando il <b>Led “radio”</b> inizia a lampeggiare, contare 4 lampeggi e <u>prepararsi a rilasciare il tasto esattamente durante il 5° lampeggio che segue</u> .
<b>03.</b>	Durante la cancellazione il <b>Led “radio”</b> lampeggia velocemente.
<b>04.</b>	Infine, il <b>Led “radio”</b> effettua 5 lampeggi lunghi per segnalare che la cancellazione è avvenuta correttamente.

## **PROCEDURA G - Blocco (o Sblocco) della Memoria**

**ATTENZIONE! - La presente procedura blocca la memoria impedendo l'esecuzione delle Procedure A, B, C, D, F.**

<b>01.</b>	Togliere l'alimentazione alla centrale.
<b>02.</b>	<u>Sulla centrale</u> : premere e mantenere premuto il <b>tasto “radio”</b> ; quindi, dare di nuovo l'alimentazione alla centrale (continuare a mantenere premuto il tasto).
<b>03.</b>	Dopo 5 secondi il <b>Led “radio”</b> esegue 2 lampeggi lenti; quindi, rilasciare il tasto.
<b>04.</b>	(entro 5 secondi) <u>Sulla centrale</u> : premere ripetutamente il <b>tasto “radio”</b> per scegliere una delle seguenti opzioni: <ul style="list-style-type: none"><li>• <u>Led spento</u> = <u>Disattivazione</u> del Blocco della memorizzazione.</li><li>• <u>Led acceso</u> = <u>Attivazione</u> del Blocco della memorizzazione.</li></ul>
<b>05.</b>	Dopo 5 secondi dall'ultima pressione sul tasto, il <b>Led “radio”</b> esegue 2 lampeggi lenti per segnalare la fine della procedura.

## 6 COLLAUDO E MESSA IN SERVIZIO

Queste sono le fasi più importanti nella realizzazione dell'automazione per garantire la massima sicurezza dell'impianto.

Devono essere eseguite da personale qualificato ed esperto che dovrà farsi carico di stabilire le prove necessarie a verificare le soluzioni adottate nei confronti dei rischi presenti e di verificare il rispetto di quanto previsto da leggi, normative e regolamenti: in particolare, tutti i requisiti delle norme EN 13241, EN 12445 ed EN 12453.

I dispositivi aggiuntivi devono essere sottoposti a un collaudo specifico sia per la funzionalità sia per la corretta interazione con la centrale MC200. Fare riferimento ai manuali istruzioni dei singoli dispositivi.

### 6.1 - Collaudo

Il collaudo può essere usato anche per verificare periodicamente i dispositivi che compongono l'automazione. Ogni singolo componente dell'automatismo (bordi sensibili, fotocellule, lampeggianti ecc.) richiede una specifica fase di collaudo; per questi dispositivi eseguire il collaudo riportate nei rispettivi manuali istruzioni. Eseguire il collaudo come segue:

<b>01.</b>	Verificare che sia stato rispettato rigorosamente quanto previsto nel capitolo AVVERTENZE
<b>02.</b>	Utilizzando il pulsante di comando o il trasmettitore, comandare delle manovre di Chiusura e Apertura della porta. Durante queste movimenti accertarsi che <b>a)</b> le fotocellule (se presenti) intervengano durante la manovra di Chiusura; <b>b)</b> che il bordo sensibile (se presente) intervenga con la modalità impostata; <b>c)</b> che la richiusura automatica della porta (se programmata) avvenga nella direzione della chiusura. Se i risultati delle verifiche non sono conformi a quanto prescritto, accertarsi che i collegamenti elettrici siano stati effettuati correttamente. In particolare, fare riferimento alle avvertenze del paragrafo 4.3.
<b>03.</b>	Eseguire diverse prove per valutare la scorrevolezza del movimento della porta, individuando eventuali difetti di montaggio, di regolazione o la presenza di particolari punti d'attrito.
<b>04.</b>	Verificare il corretto funzionamento di ogni dispositivo di sicurezza presente nell'impianto (fotocellule, bordi sensibili ecc.).
<b>05.</b>	Verificare il funzionamento delle fotocellule (se presenti) ed eventuali interferenze con altri dispositivi: 1 - passare un cilindro (diametro 5 cm e lunghezza 30 cm) tra una coppia di fotocellule, prima vicino alla TX poi vicino all'RX, con l'intento di interrompere l'asse ottico che le congiunge virtualmente; 2 - quindi, accertarsi che l'intervento provochi nella centrale l'azione prevista: ad esempio, l'inversione del movimento durante la manovra di Chiusura.

## 6.2 - Messa in servizio

La messa in servizio può avvenire solo dopo aver eseguito con esito positivo tutte le fasi di collaudo (paragrafo 6.1). Non è consentita la messa in servizio parziale o in situazioni 'provvisorie'.

01.	Realizzare e conservare (minimo 10 anni) il fascicolo tecnico dell'automazione che deve comprendere: disegno complessivo dell'automazione, schema dei collegamenti elettrici, analisi dei rischi e relative soluzioni adottate, dichiarazione di conformità del fabbricante di tutti i dispositivi utilizzati (per la centrale MC200 utilizzare la Dichiarazione di conformità UE allegata); copia del manuale di istruzioni per l'uso e del piano di manutenzione dell'automazione.
02.	Compilare e consegnare al proprietario dell'automazione la dichiarazione di conformità dell'automazione.
03.	Consegnare al proprietario dell'automazione il 'manuale per l'uso' (inserto staccabile presente nel manuale dell'automatismo).
04.	Realizzare e consegnare al proprietario dell'automazione il piano di manutenzione.
05.	Prima di mettere in servizio l'automatismo informare adeguatamente e in forma scritta il proprietario, su pericoli e rischi ancora presenti

## 7 SMALTIMENTO DEL PRODOTTO

**Questo prodotto è parte integrante dell'automazione e quindi deve essere smaltito insieme con essa.**

Come per le operazioni d'installazione anche al termine della vita di questo prodotto, le operazioni di smantellamento devono essere eseguite da personale qualificato.

Questo prodotto è costituito da vari tipi di materiali: alcuni possono essere riciclati, altri devono essere smaltiti. È necessario informarsi sui sistemi di riciclaggio o smaltimento previsti dai regolamenti vigenti sul vostro territorio per questa categoria di prodotto.

**⚠ ATTENZIONE! - Alcune parti del prodotto possono contenere sostanze inquinanti o pericolose che se disperse nell'ambiente potrebbero provocare effetti dannosi sull'ambiente stesso e sulla salute umana.**



Come indicato dal simbolo a lato è vietato gettare questo prodotto nei rifiuti domestici. Eseguire la 'raccolta differenziata' per lo smaltimento secondo i regolamenti vigenti sul vostro territorio oppure riconsegnare il prodotto al venditore nel momento dell'acquisto di un nuovo prodotto equivalente.

**⚠ ATTENZIONE! - I regolamenti vigenti a livello locale possono prevedere pesanti sanzioni in caso di smaltimento abusivo di questo prodotto.**

## 8 CARATTERISTICHE TECNICHE

⚠ Tutte le caratteristiche tecniche riportate, sono riferite ad una temperatura ambientale di 20°C (± 5°C). • Nice S.p.A. si riserva il diritto di apportare modifiche al prodotto in qualsiasi momento lo riterrà necessario, mantenendone comunque la stessa funzionalità e destinazione d'uso.

### CENTRALE ELETTRONICA MC200

<b>Alimentazione:</b>	da: 120 V~ 50/60 Hz a: 230 V~ 50/60 Hz
<b>Potenza massima motore:</b>	450 W (se alimentata a 120 V); 950 W (se alimentata a 230 V)
<b>Tensione segnali comando:</b>	circa 24 V==
<b>Servizi (morsetti 8-9):</b>	tensione a circa 24 V==; corrente max 100 mA
<b>Ingresso sicurezza:</b>	in configurazione con una resistenza costante, deve essere 8,2kΩ
<b>Temperatura di funzionamento:</b>	-20 °C ... +55 °C
<b>Dimensioni (mm):</b>	127 x 111 x 45
<b>Peso (g):</b>	300
<b>Grado protezione IP:</b>	44

### RICEVITORE RADIO (incorporato nella centrale)

<b>Frequenza:</b>	433.92 MHz
<b>Codifica radio:</b>	FLOR, O-CODE, SMILO



## Dichiarazione di Conformità UE (N. 629/MC200) e dichiarazione di incorporazione di “quasi macchina”

**Nota:** Il contenuto di questa dichiarazione corrisponde a quanto dichiarato nel documento ufficiale depositato presso la sede di Nice S.p.A., e in particolare, alla sua ultima revisione disponibile prima della stampa di questo manuale. Il testo qui presente è stato riadattato per motivi editoriali. Copia della dichiarazione originale può essere richiesta a Nice S.p.A. (TV) Italy.

**Revisione: 0; Lingua: IT**

- **Nome Produttore:** Nice S.p.A.
- **Indirizzo:** Via Pezza Alta n°13, 31046 Rustignè di Oderzo (TV) Italy
- **Persona autorizzata a costituire la documentazione tecnica:** Nice S.p.A. - Via Pezza Alta n°13, 31046 Rustignè di Oderzo (TV) Italy
- **Tipo di prodotto:** Centrale di comando per 1 motore 230 V~
- **Modello/Tipo:** MC200
- **Accessori:** Radiocomandi serie FLOR, O-CODE, SMIL0

Il sottoscritto Roberto Griffa, in qualità di Amministratore Delegato, dichiara sotto la propria responsabilità che il prodotto sopra indicato risulta conforme alle disposizioni imposte dalle seguenti direttive:

- **Direttiva 2014/53/UE (RED)**
  - Protezione della salute (art. 3(1)(a)): EN 62479:2010
  - Sicurezza elettrica (art. 3(1)(a)): EN 60950-1:2006 + A11:2009 + A12:2011 + A1:2010 + A2:2013
  - Compatibilità elettromagnetica (art. 3(1)(b)): EN 301 489-1 V2.2.0:2017; EN 301 489-3 V2.1.1:2017
  - Spettro radio (art. 3(2)): EN 300 220-2 V3.1.1:2017

Inoltre il prodotto risulta essere conforme alla seguente direttiva, secondo i requisiti previsti per le “quasi macchina” (Allegato II, parte 1, sezione B):

- **Direttiva 2006/42/CE DEL PARLAMENTO EUROPEO E DEL CONSI-**

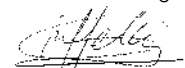
GLIO del 17 maggio 2006 relativa alle macchine e che modifica la direttiva 95/16/CE (rifusione).

- Si dichiara che la documentazione tecnica pertinente è stata compilata in conformità all'allegato VII B della direttiva 2006/42/CE e che sono stati rispettati i seguenti requisiti essenziali: 1.1.1 - 1.1.2 - 1.1.3 - 1.2.1 - 1.2.6 - 1.5.1 - 1.5.2 - 1.5.5 - 1.5.6 - 1.5.7 - 1.5.8 - 1.5.10 - 1.5.11
- Il produttore si impegna a trasmettere alle autorità nazionali, in risposta ad una motivata richiesta, le informazioni pertinenti sulla “quasi macchina”, mantenendo impregiudicati i propri diritti di proprietà intellettuale.
- Qualora la “quasi macchina” sia messa in servizio in un paese europeo con lingua ufficiale diversa da quella usata nella presente dichiarazione, l'importatore ha l'obbligo di associare alla presente dichiarazione la relativa traduzione.
- Si avverte che la “quasi macchina” non dovrà essere messa in servizio finché la macchina finale in cui sarà incorporata non sarà a sua volta dichiarata conforme, se del caso, alle disposizioni della direttiva 2006/42/CE.

Inoltre il prodotto risulta conforme alle seguenti norme:  
EN 61000-6-2:2005; EN 61000-6-3:2007 + A1:2011;  
EN 60335-1:2012 + A11:2014; EN 62233:2008

**Luogo e Data:** Oderzo, 05/09/2017

Ing. **Roberto Griffa**  
(Amministratore Delegato)



## RECOMMANDATIONS GÉNÉRALES : SÉCURITÉ - INSTALLATION - UTILISATION (instructions traduites de l'italien)

**⚠ Les recommandations suivantes sont transcrites directement des réglementations et, dans la mesure du possible, applicables au produit en question**

**ATTENTION** Instructions importantes pour la sécurité. Il est important de suivre toutes les instructions fournies étant donné qu'une installation incorrecte est susceptible de provoquer des dommages graves

**ATTENTION** Instructions importantes pour la sécurité. Pour la sécurité des personnes, il est important de suivre ces instructions. Conserver ces instructions

- Avant de commencer l'installation, vérifier les « Caractéristiques techniques du produit » en s'assurant notamment qu'il est bien adapté à l'automatisation de votre pièce guidée. Dans le cas contraire, NE PAS procéder à l'installation
- Le produit ne peut pas être utilisé avant d'avoir effectué la mise en service comme l'explique le chapitre « Essai et mise en service »

**ATTENTION** Conformément à la législation européenne actuelle, la réalisation d'un automatisme implique le respect des normes harmonisées prévues par la Directive Machines en vigueur, qui permettent de déclarer la conformité présumée de l'automatisme. De ce fait, toutes les opérations de branchement au secteur électrique, d'essai, de mise en service et de maintenance du produit doivent être effectuées exclusivement par un technicien qualifié et compétent !

- Avant l'installation du produit, s'assurer que tout le matériel à utiliser est en excellent état et adapté à l'usage prévu
- Le produit ne peut être utilisé par des personnes (y compris des enfants) dont les capacités physiques, sensorielles ou mentales sont limitées, ou ne disposant pas de l'expérience ou des connaissances nécessaires
- Les enfants ne doivent pas jouer avec l'appareil
- Ne pas laisser les enfants jouer avec les dispositifs de commande du produit. Conserver les télécommandes hors de la portée des enfants

**ATTENTION** Afin d'éviter tout danger dû au réarmement accidentel du disjoncteur, cet appareil ne doit pas être alimenté par le biais d'un dispositif de manœuvre externe, par ex : temporisateur, ou bien être connecté à un circuit régulièrement alimenté ou déconnecté par la ligne

- Sur le réseau d'alimentation de l'installation, prévoir un disjoncteur (vendu séparément) ayant un écart d'ouverture entre les contacts qui garantisse la coupure complète du courant électrique dans les conditions prévues pour la catégorie de surtension III

- Pendant l'installation, manipuler le produit avec soin en évitant tout écrasement, choc, chute ou contact avec des liquides de quelque nature que ce soit. Ne pas positionner le produit près de sources de chaleur, ni l'exposer à des flammes nues. Toutes ces actions peuvent l'endommager et créer des dysfonctionnements ou des situations de danger. Le cas échéant, suspendre immédiatement l'installation et s'adresser au service après-vente
- Le fabricant décline toute responsabilité en cas de dommages patrimoniaux causés à des biens ou à des personnes dérivant du non-respect des instructions de montage. Dans ces cas, la garantie pour défauts matériels est exclue
- Le nettoyage et la maintenance qui doivent être effectués par l'utilisateur ne doivent pas être confiés à des enfants sans surveillance
- Avant toute intervention (maintenance, nettoyage), il faut toujours débrancher le produit du secteur
- Les matériaux d'emballage du produit doivent être mis au rebut dans le plein respect des normes locales en vigueur
- Durant cette opération, contrôler l'automatisme et s'assurer que les personnes restent bien à une distance de sécurité jusqu'à la fin de la manœuvre
- Ne pas activer le produit lorsque des personnes effectuent des travaux sur l'automatisme ; débrancher l'alimentation électrique avant de permettre la réalisation de ces travaux

## 1 DESCRIPTION DU PRODUIT ET APPLICATION

**MC200** est une unité électronique permettant le contrôle et la commande d'un moteur destiné à l'automatisation d'un volet, d'une porte basculante, d'une porte sectionnelle, d'un store ou d'autres applications analogues.

**⚠ ATTENTION ! - Toute utilisation autre que celle décrite et dans des conditions ambiantes différentes de celles indiquées dans cette notice doit être considérée comme impropre et interdite !**

Caractéristiques fonctionnelles :

- elle se raccorde au réseau électrique (voir les données spécifiques au chapitre « Caractéristiques techniques du produit ») ;
- elle se programme au moyen de 8 micro-interrupteurs ;
- elle est dotée d'un récepteur radio incorporé permettant de commander l'automatisme par le biais d'un émetteur radio ;
- il est possible d'y raccorder différents accessoires tels que : une paire de photocellules, un clignotant (avec alimentation secteur) pour les signaux lumineux, un bouton mural pour la gestion de l'automatisme au moyen de commandes de type « pas-à-pas », une antenne radio extérieure, un bord sensible, etc.
- elle est dotée d'un connecteur de type « IBT4N », compatible avec l'interface IBT4N, qui permet la connexion de tous les dispositifs avec interface BusT4 tels que, par exemple, l'unité de programmation Oview.

## 2 LIMITES D'APPLICATION

- L'unité de commande MC200 ne peut être utilisé qu'avec un moteur asynchrone monophasé. Le moteur doit être : **a)** alimenté par le secteur et dimensionné pour la même tension alimentant l'unité de commande ; **b)** doté d'un protecteur thermique ; **c)** doté d'un dispositif électromécanique qui en limite le mouvement (fin de course) ; **d)** doté d'un système de raccordement à 3 conducteurs : « Commun », « Ouverture », « Fermeture ».
- Le récepteur radio incorporé à l'unité de commande permet l'utilisation exclusive des émetteurs qui adoptent les protocoles de codage radio **FLOR**, **O-CODE** ou **SMILO** (à savoir des standards de Nice).
- D'autres limites d'utilisation sont indiquées au chapitre « Caractéristiques techniques du produit ».

## 3 INSTALLATION

**⚠ Important ! - Avant d'installer le produit, en contrôler les limites d'utilisation indiquées aux chapitres 2 et 7.**

**⚠ Vérifier que la température est bien appropriée au champ d'application.**

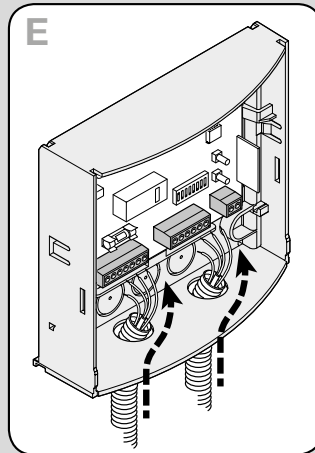
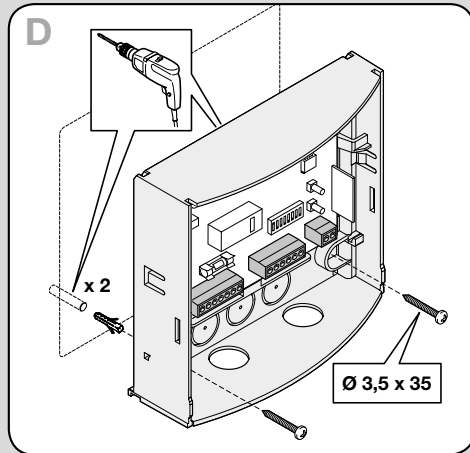
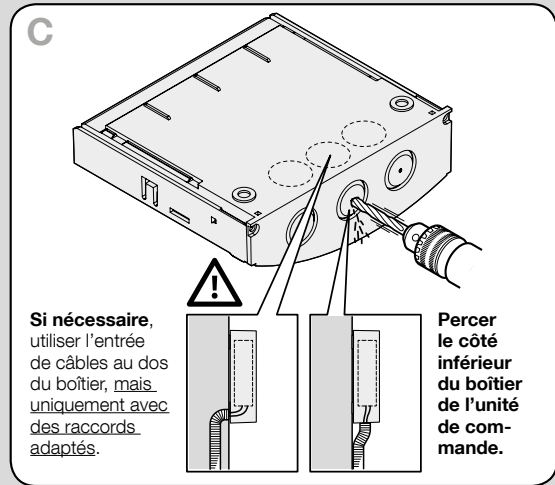
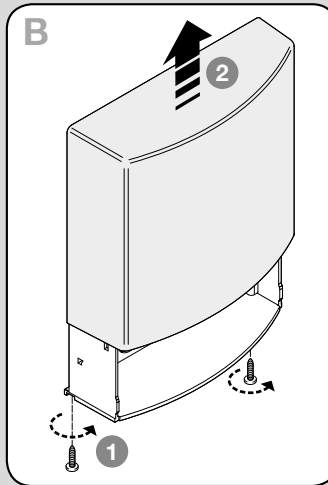
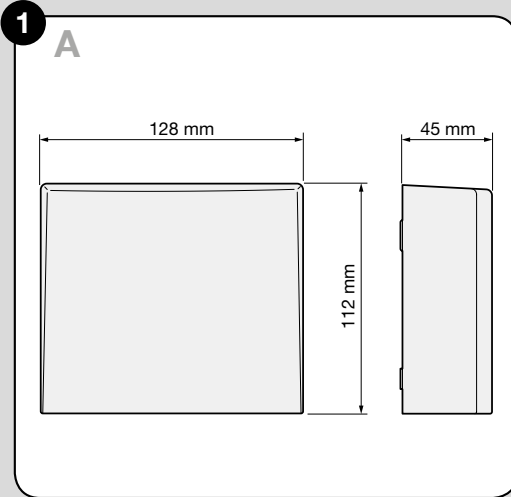
**⚠ Le produit ne doit pas être installé à l'extérieur.**

**⚠ À noter que le perçage du boîtier de l'unité de commande pour le passage des câbles (fig. 1-C) doit toujours être effectué au bas du boîtier. Prendre en outre les précautions nécessaires pour garantir l'indice de protection (IP 44) requis par le type d'installation.**

**⚠ Avant de procéder à l'installation, préparer les câbles électriques nécessaires à l'installation et se reporter à la fig. 2b et au Tableau 1 - Caractéristiques techniques des câbles électriques.**

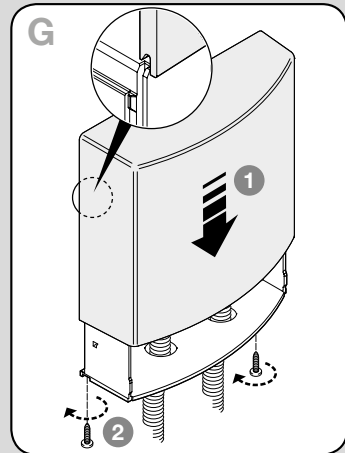
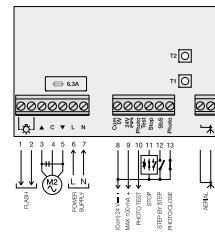
**⚠ Attention ! – Pendant la pose des tubes de protection des câbles électriques et la pose des câbles dans le conteneur de l'unité de commande, tenir compte du fait que, en raison des dépôts d'eau dans les jonctions, les tubes de protection des câbles peuvent favoriser la condensation dans l'unité de commande. Cette condensation risque d'endommager les circuits électroniques.**

Installer l'unité de commande comme illustré sur la **fig. 1**.



**F**

**Branchements électriques.**  
Consulter le Chapitre 4



## 4 RACCORDEMENTS ÉLECTRIQUES

**⚠ ATTENTION ! – Mettre l'installation hors tension avant d'effectuer les branchements électriques. Des branchements incorrects peuvent provoquer des dommages matériels et corporels.**

**⚠ ATTENTION ! – Les opérations de branchement doivent être effectuées exclusivement par du personnel qualifié.**

### 4.1 - Préparation des câbles électriques pour le raccordement des dispositifs à l'unité de commande (Tableau A)

**Tableau A** - Caractéristiques des câbles de raccordement électriques

Dispositif à raccorder	Section du câble	Longueur maximum du câble
ALIMENTATION POUR L'UNITÉ DE COMMANDE	1 câble : 2 x 1,5 mm <sup>2</sup>	30 m <b>(*1)</b>
CLIGNOTANT AVEC ANTENNE RADIO	1 câble : 2 x 1,5 mm <sup>2</sup> (pour l'ampoule) 1 câble blindé RG58 (pour l'antenne)	20 m 20 m (longueur conseillée < 5 m)
DISPOSITIFS CONNECTÉS AUX BORNES 8-9-10-11-12-13	6 câbles : 1 x 0,5 mm <sup>2</sup> <b>(*2)</b>	50 m
ALIMENTATION POUR LE MOTEUR	3 câbles : 1 x 1,5 mm <sup>2</sup>	10 m

**(\*1)** – Si le câble d'alimentation dépasse 30 m, il faut prévoir un câble d'une section supérieure, par exemple 2 x 2,5 mm<sup>2</sup>.

**(\*2)** – Ces 6 câbles peuvent être remplacés par 1 câble unique de 6 x 0,5 mm<sup>2</sup>.

**ATTENTION ! – Les câbles utilisés doivent être adaptés au type d'environnement où est effectuée l'installation.**

### 4.2 - Liste des composants de l'unité de commande

Au cours des prochaines phases de raccordement et de programmation de l'unité de commande, se référer à la **fig. 2** et à sa légende pour identifier les composants cités dans le texte.

**A** - Fusible de ligne (6,3 A)

**B** - Connecteur pour l'interface IBT4N

**C** - Led « OK »

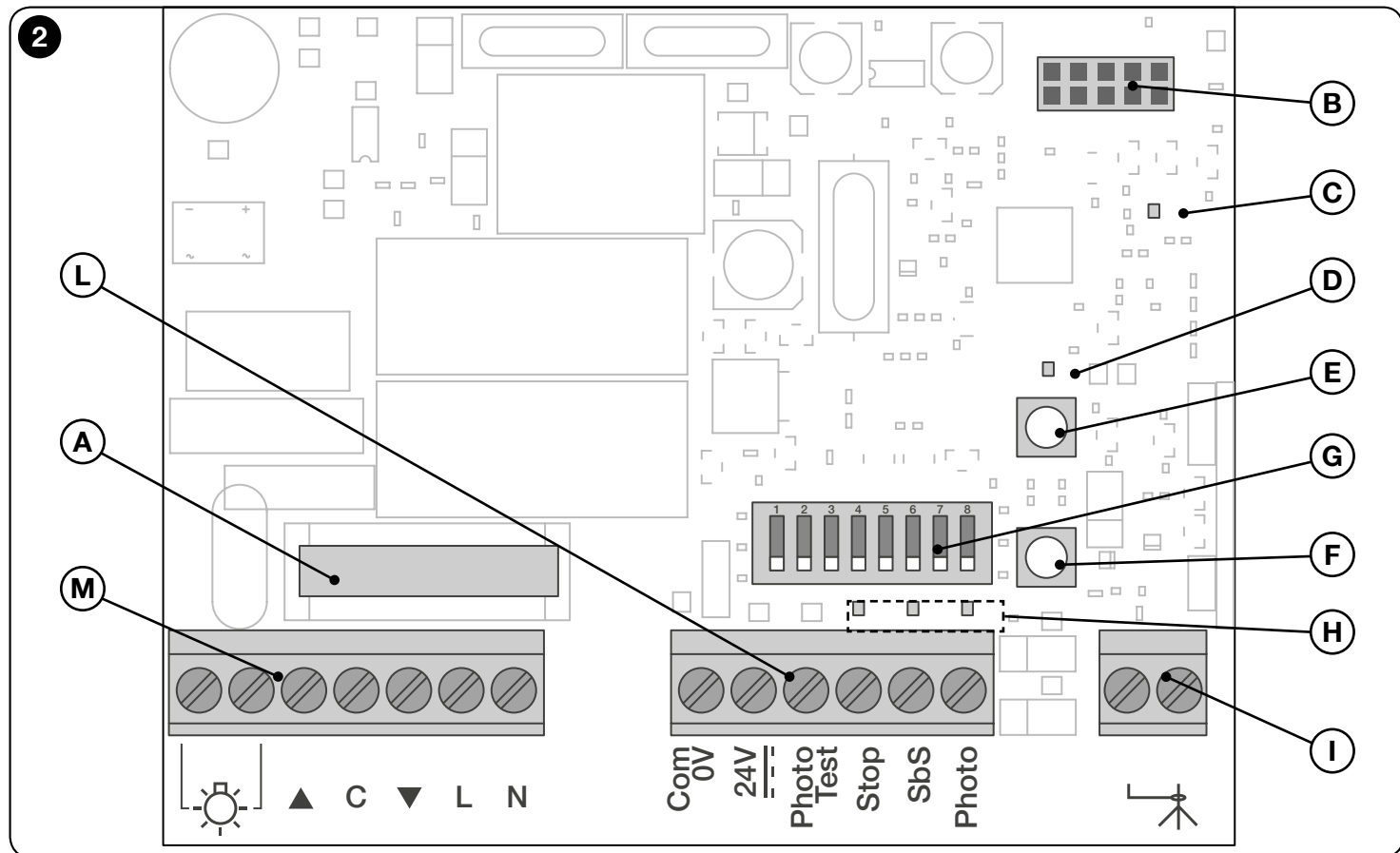
**D** - Led « radio »

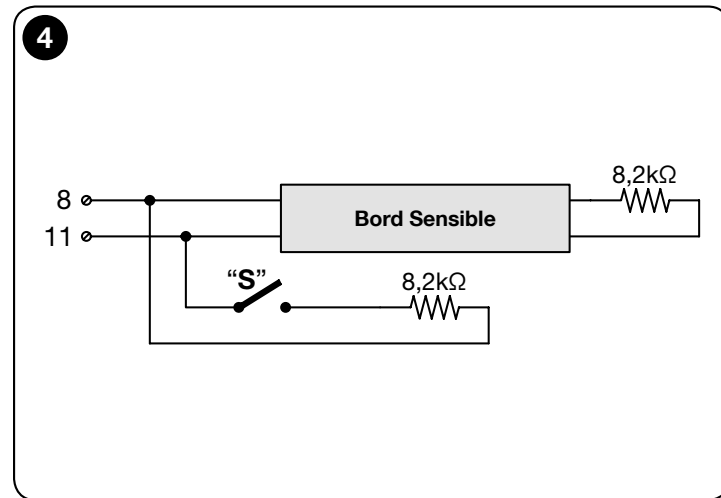
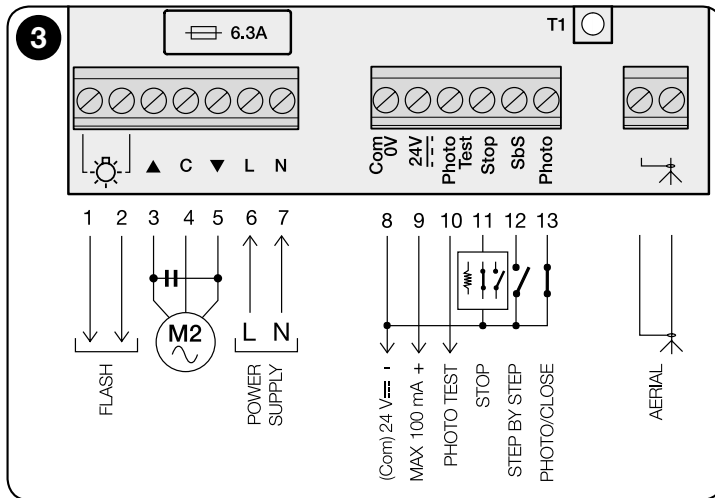
**E** - Bouton T2 pour la mémorisation d'un émetteur et l'élimination d'un émetteur ou de toute la mémoire de l'unité de commande

**F** - Bouton T1 pour la programmation et l'envoi des commandes pas-à-pas

- G** - Micro-interrupteurs pour la programmation des fonctions
- H** - Leds entrées (« Stop », « SbS », « Photo »)
- I** - Bornes pour antenne radio

- L** - Bornes pour les entrées basse tension
- M** - Bornes pour le raccordement de la ligne d'alimentation et pour le moteur





### 4.3 - Raccordements de base

#### • Raccordement du moteur à l'unité de commande MC200

Raccorder les 3 conducteurs issus du moteur (Phase de montée, Commun, Phase de descente) respectivement aux **bornes 3, 4 et 5** de l'unité de commande, comme indiqué sur la **fig. 3**.

**ATTENTION !** Avant de raccorder le moteur, il faut absolument contrôler que le conducteur à connecter à la **borne 3** fait bien **OUVRI**R la porte, que le conducteur à connecter à la **borne 5** fait bien **FERMER** la porte et que le conducteur à connecter à la **borne 4** correspond bien au **COMMUN**.

**Attention !** – Ne pas raccorder plusieurs moteurs en parallèle à une même unité de commande à moins que le manuel d'instructions du moteur ne le prévoit ; utiliser éventuellement les cartes d'expansion spécifiques.

#### • Raccordement de l'alimentation à l'unité de commande MC200

Connecter les 2 fils issus du secteur (Phase et Neutre) respectivement aux **bornes 6 et 7** de l'unité de commande, comme illustré sur la **fig. 3**.

#### • Mise à la terre du moteur

**Attention !** - Pour respecter les critères de sécurité électrique établis par la classe d'appartenance du produit (Classe II), la mise à la terre du moteur doit être obligatoirement effectuée **à l'extérieur de l'unité de commande MC200**.



## 4.4 - Branchement des accessoires

Pour le raccordement des accessoires prévus, se référer au **Tableau B**, à la **fig. 3** et au manuel d'instructions de chacun d'eux. Le **Tableau B** indique tous les accessoires à raccorder aux bornes de l'unité de commande et fournit les spécifications liées à l'exécution des branchements électriques. Avant de procéder, lire attentivement le tableau et ses remarques. **Remarque** – Étant donné que certaines entrées offrent plusieurs fonctions pour le raccordement des accessoires, il faudra, au terme des raccordements, configurer les micro-interrupteurs en fonction des accessoires connectés (voir le chapitre 5 - Programmation).

**Tableau B** - Fonction des bornes (entrées et sorties)

Bornes	Description de la fonction
1 - 2	<b>Sortie</b> pour un signal lumineux clignotant à la tension de secteur.
3 - 4 - 5	<b>Sortie</b> pour la commande du moteur (ouverture, commun, fermeture).
6 - 7	<b>Entrée</b> pour la ligne d'alimentation provenant du secteur (phase, neutre).
8	Référence à 0 Volt pour le conducteur « Commun » des dispositifs connectés aux bornes <b>9, 10, 11, 12 et 13</b> .
9	<b>Sortie 24 V.</b> Sortie pour les Services (ex. : les photocellules) avec alimentation en 24 V=== (basse tension) : courant absorbable maximum : 100 mA.
10	<b>Sortie Photo test.</b> Sortie en 24 V=== pour une photocellule de transmission (TX) ou pour un témoin de porte ouverte. Courant absorbable maximum : 50 mA.
11	<b>Entrée Stop.</b> Entrée pour les dispositifs de sécurité avec résistance constante 8,2 kΩ (bord sensible, etc.).
12	<b>Entrée SbS.</b> Entrée pour un bouton NO (normalement ouvert), pour l'envoi de commandes en modalité pas-à-pas.
13	<b>Entrée Photo.</b> Entrée pour une photocellule de réception (RX) normalement fermée (NF) ou pour un bouton NO (normalement ouvert).
14 - 15	<b>Entrée</b> pour une antenne-récepteur radio.

## 4.5 - Comment gérer la sortie « Photo test » et les entrées « Stop », « SbS », « Photo »

### 4.5.1 - Sortie Photo test (borne 10)

Cette sortie doit être configurée avec le micro-interrupteur de programmation **7** en fonction du type de dispositif connecté : en cas de connexion d'une photocellule de transmission (TX), le micro-interrupteur doit être configuré sur ON ; en cas de connexion d'un témoin de porte ouverte, le micro-interrupteur doit être configuré sur OFF.

**REMARQUES** • En cas de connexion, à cette sortie, d'un témoin de porte ouverte, la photocellule TX doit être connectée à la borne **9**. • Les significations des signalisations du témoin de porte ouverte sont les suivantes :

témoin éteint = porte fermée ; témoin allumé = porte ouverte ; clignotement lent = porte en phase d'ouverture ; clignotement rapide = porte en phase de fermeture.

#### 4.5.2 - Entrée Stop (borne 11)

Cette entrée doit être configurée avec le micro-interrupteur de programmation **1 - 2** en fonction du type de dispositif connecté : contacts normalement fermés (NF), contacts normalement ouverts (NO) ou contacts à résistance constante (8,2 kΩ). **Attention !** - Seules l'utilisation d'un contact à résistance constante et la configuration OFF+OFF des micro-interrupteurs **1 - 2** garantissent le niveau de résistance minimum aux pannes requis par les normes. L'intervention du dispositif connecté à l'entrée Stop provoque normalement l'arrêt immédiat du mouvement du moteur par une brève inversion de la manœuvre (à sélectionner au moyen du micro-interrupteur **3**). Pour désactiver cette inversion à l'intervention du dispositif de sécurité (par exemple lorsque le bord sensible touche le sol), il est possible d'utiliser un contact « **S** » (avec une résistance de 8,2 kΩ connectée en série) à connecter en parallèle au bord sensible (voir la **fig. 4**). Le contact « **S** » doit être positionné de manière à ce qu'il se ferme dans les 30/40 derniers mm de la manœuvre de fermeture, avant l'intervention du bord sensible. Ainsi faisant, lorsque le contact « **S** » se ferme et que le bord sensible intervient (par exemple sur le sol), l'automatisme se bloque sans inverser la manœuvre et la porte reste complètement fermée. Dans cet état, le système permet de ne commander que la manœuvre d'ouverture. L'état de l'entrée Stop est signalé par la Led « Stop » dont les significations sont indiquées dans le **Tableau C**.

**Tableau C** - État de l'entrée « STOP » signalé par la Led correspondante

Signalisation de la Led « Stop »	Signification (état de l'entrée Stop)
Allumée	Activée (validation de la manœuvre)
Éteinte	Désactivée (manœuvre bloquée)
50% allumée + 50% éteinte	Inversion désactivée
20% allumée + 80% éteinte	Désactivée, avec inversion désactivée (seule la manœuvre d'ouverture est permise)

#### 4.5.3 - Entrée SbS (borne 12)

À chaque enfoncement du bouton connecté à cette entrée, le système exécute la commande qui suit la dernière commande envoyée, selon une séquence établie en usine, programmable au moyen du micro-interrupteur 5 (ex. : > ouverture > stop > fermeture > stop > de nouveau depuis le début...). En cas d'enfoncement prolongé du bouton de commande (de 4 à 10 secondes), le système commande toujours une manœuvre d'ouverture ; au-delà de 10 secondes, le système commande toujours une manœuvre de fermeture. Cette fonction particulière peut s'avérer utile en présence de plusieurs unités de commande quand on souhaite qu'elles soient commandées en même temps et que les portes correspondantes effectuent la même manœuvre, indépendamment de l'état en cours de chaque unité de commande.

#### 4.5.4 - Entrée Photo (borne 13)

Cette entrée doit être configurée avec le micro-interrupteur de programmation **4** en fonction du type de dispositif connecté : en cas de connexion d'une photocellule de réception (RX) normalement fermée (NF), le micro-interrupteur doit être configuré sur OFF ; en cas de connexion d'un bouton NO (normalement ouvert), le micro-interrupteur doit être configuré sur ON. **Remarque** – En cas de connexion d'une photocellule de réception (RX) normalement fermée (NF), à défaut de validation seule la manœuvre d'ouverture pourra être exécutée.

## 5 PROGRAMMATION

**IMPORTANT ! - Au terme de tous les raccordements, mettre l'unité de commande sous tension et effectuer les programmations en configurant les huit micro-interrupteurs sur la carte, en fonction du type de dispositifs connectés et des fonctions à activer ou désactiver. Pour l'exécution des programmations, voir le Tableau D.**

**Tableau D - Programmation des micro-interrupteurs**

Micro-interrupteur	Configuration	Description de la fonction configurée
<b>Micro-interrupteurs 1 - 2</b>	(1) <b>OFF</b> ; (2) <b>OFF</b>	Permet l'activation de l'entrée Stop à la connexion d'un contact à résistance constante 8,2 kΩ, <u>sans le bouton « S » qui désactive l'inversion</u> (voir <b>fig. 4</b> )
	(1) <b>OFF</b> ; (2) <b>ON</b>	Permet l'activation de l'entrée Stop à la connexion d'un contact à résistance constante 8,2 kΩ, <u>avec le bouton « S » qui intervient à 30/40 mm par rapport à la butée de fin de course pour désactiver l'inversion</u> (voir <b>fig. 4</b> )
	(1) <b>ON</b> ; (2) <b>OFF</b>	Permet l'activation de l'entrée Stop à la connexion d'un contact NO (normalement ouvert)
	(1) <b>ON</b> ; (2) <b>ON</b>	Permet l'activation de l'entrée Stop à la connexion d'un contact NF (normalement fermé)
<b>Micro-interrupteur 3</b>	<b>OFF</b>	Permet l'activation de l'entrée Stop pour qu'elle arrête la manœuvre en cours et effectue <u>une brève inversion du mouvement</u>
	<b>ON</b>	Permet l'activation de l'entrée Stop pour qu'elle arrête la manœuvre en cours
<b>Micro-interrupteur 4</b>	<b>OFF</b>	Permet l'activation de l'entrée Photo à la connexion des photocellules
	<b>ON</b>	Permet l'activation de l'entrée Photo pour qu'elle puisse être utilisée comme commande de fermeture
<b>Micro-interrupteur 5</b>	<b>OFF</b>	Permet l'activation des commandes cycliques suivantes, de type pas-à-pas : > Ouverture > Stop > Fermeture > Stop > (de nouveau depuis le début...)
	<b>ON</b>	Permet l'activation des commandes cycliques suivantes, de type pas-à-pas : > Ouverture > Stop > (de nouveau depuis le début...)
<b>Micro-interrupteur 6</b>	<b>OFF</b>	Permet de désactiver la fonction usage collectif
	<b>ON</b>	Permet d'activer la fonction usage collectif
<b>Micro-interrupteur 7</b>	<b>OFF</b>	Permet d'activer la fonction « Témoin de porte ouverte »
	<b>ON</b>	Permet d'activer la fonction Photo Test
<b>Micro-interrupteur 8</b>	<b>OFF</b>	Permet de désactiver le « Temps de Pause » pour la refermeture automatique de la porte, après une commande d'ouverture
	<b>ON</b>	Permet d'activer le « Temps de Pause » pour la refermeture automatique de la porte, après une commande d'ouverture

## 5.1 - Approfondissement de quelques fonctions et options programmables

### 5.1.1 - Micro-interrupteurs 1 et 2 (pour l'entrée Stop)

Ces micro-interrupteurs permettent la programmation de l'entrée Stop en fonction du type de dispositif de sécurité y ayant été connecté :

- Contact à résistance constante 8,2 kΩ, avec inversion.
- Contact à résistance constante 8,2 kΩ, sans inversion.
- Contact NO (normalement ouvert).
- Contact NF (normalement fermé).

### 5.1.2 - Micro-interrupteur 5 (pour l'entrée SbS)

En cas d'entrée SbS programmée avec la séquence de commandes pas-à-pas : > **Ouverture** > **Stop** > (**de nouveau depuis le début...**), avec le micro-interrupteur 5 sur ON il ne sera pas possible, durant l'utilisation de l'automatisme, de commander la fermeture de la porte. Il ne sera possible d'obtenir cette commande qu'en programmant la refermeture automatique (micro-interrupteur 8 sur ON) ou par le biais d'un émetteur radio.

### 5.1.3 - Micro-interrupteur 6

- **Durant une manœuvre d'ouverture** : si la fonction usage collectif est activée (micro-interrupteur 6 sur ON), il empêche que l'envoi d'une commande d'ouverture ou d'une commande pas-à-pas n'arrête la manœuvre ou ne l'inverse avant que celle-ci n'atteigne sa butée de fin de course.
- **Durant une manœuvre de fermeture** : si la fonction usage collectif est activée (micro-interrupteur 6 sur ON), l'envoi d'une commande d'ouverture ou d'une commande pas-à-pas arrête la manœuvre et inverse le mouvement en provoquant la réouverture de la porte.

## 5.2 - Mémorisation des configurations des micro-interrupteurs

Après avoir configuré tous les micro-interrupteurs (ou chaque fois que l'on souhaite, par la suite, modifier la configuration d'un ou de plusieurs micro-interrupteurs), il est nécessaire de mémoriser dans l'unité de commande les configurations effectuées : quand la **Led « OK »** se met à clignoter (en vert/rouge), elle signale qu'un ou plusieurs micro-interrupteurs ont été déplacés. Pour mémoriser ensuite la nouvelle configuration, appuyer sur le **bouton T1** et le laisser enfoncé sur l'unité de commande jusqu'à ce que la **Led « OK »** reste allumée en permanence en vert. À la fin, relâcher la touche.

## 5.3 - Programmation du « Temps de Fonctionnement » du moteur et du « Temps de Pause » pour la refermeture automatique

Le « Temps de Fonctionnement » et le « Temps de Pause » représentent deux paramètres de base de l'unité de commande et sont programmés l'un après l'autre selon la même procédure. Ces paramètres peuvent être programmés uniquement après avoir configuré et mémorisé tous les micro-interrupteurs.

- **Qu'est-ce que le « Temps de Fonctionnement » ?** Il s'agit du temps maximum durant lequel l'unité de commande maintient l'alimentation du moteur à compter de l'envoi d'une commande. Ce délai doit être assez long pour permettre au moteur de compléter la manœuvre (à savoir

atteindre la butée de fin de course). La valeur par défaut (ou après une élimination totale de la mémoire) est de 120 secondes. Il est cependant possible de modifier cette valeur en programmant un temps de 5 secondes (minimum) à 120 secondes (maximum). La procédure prévoit le calcul, en modalité d'auto-apprentissage, du temps permettant au moteur de compléter une manœuvre. C'est pour cette raison qu'il faut mesurer la manœuvre la plus difficile pour le moteur (à savoir la plus lente) qui est, généralement, le début du mouvement à partir d'une butée de fin de course. **Attention !** - Il est conseillé de programmer un temps légèrement plus long (de quelques secondes) par rapport au temps nécessaire pour compléter la manœuvre.

• **Qu'est-ce que le « Temps de Pause » ?** Il s'agit du temps au cours duquel l'unité de commande attend avant de refermer automatiquement la porte, après que l'utilisateur a envoyé la commande d'ouverture (fonction : refermeture automatique). Le Temps de Pause est programmable de 5 secondes (minimum) à 120 secondes (maximum). Le Temps de Pause peut également être complètement éliminé de manière à désactiver la refermeture automatique.

#### Pour mémoriser le « Temps de Fonctionnement » et le « Temps de Pause »

01. Amener la porte contre la butée de fin de course inférieure.
02. Appuyer sur la touche **T1** et la laisser enfoncée sur l'unité de commande : dès que le moteur démarre vers la butée de fin de course supérieure, commencer à compter 5 secondes. Au terme de ces 5 secondes, la centrale commence à mémoriser la durée de la manœuvre ;
03. laisser la touche **T1** enfoncée ; attendre la fin de la manœuvre dans la butée de fin de course supérieure ; attendre quelques secondes encore puis relâcher la touche. Le moteur s'arrête et l'unité de commande mémorise le nouveau Temps de Fonctionnement tout juste calculé.
04. Dans les 2 secondes à compter de l'arrêt du moteur, appuyer sur la touche **T1** et la laisser enfoncée sur l'unité de commande : c'est à partir de ce moment que le **Temps de Pause** est calculé.
05. Relâcher la touche **T1** après écoulement du délai souhaité (maximum 120 secondes) ; la centrale commande au moteur une manœuvre de descente et mémorise, pendant ce temps, le **délaï tout juste calculé**. Ce délai sera utilisé par la suite pour la refermeture automatique de la porte.

**IMPORTANT** - Le Temps de Pause programmé ne sera effectué qu'en cas de micro-interrupteur 8 configuré sur ON.

#### Pour modifier le « Temps de Fonctionnement » et le « Temps de Pause »

01. Pour ne modifier que le « Temps de Fonctionnement », répéter la procédure depuis le début et s'arrêter au point 4.

#### Pour désactiver le « Temps de Pause »

01. Pour désactiver la refermeture automatique et éliminer, donc, le Temps de Pause, il faut répéter la procédure depuis le début et s'arrêter au point 4. Il est également possible de désactiver la refermeture automatique en positionnant le micro-interrupteur 8 sur OFF.

## 5.4 - Mémorisation des émetteurs

Le récepteur radio incorporé à l'unité de commande est compatible avec tous les émetteurs qui adoptent les protocoles de codage radio **FLOR**, **O-CODE** ou **SMILO** (à savoir des standards de Nice).

### 5.4.1 - Deux modes de mémorisation des touches des émetteurs

Parmi les procédures de mémorisation des émetteurs, certaines permettent une mémorisation en mode « standard » (ou Mode 1) et d'autres en mode « personnalisé » (ou Mode 2).

- **Mémorisation STANDARD (dite également « Mode 1 »)**

Ce type de procédures permet de mémoriser en même temps, durant leur exécution, toutes les touches présentes sur l'émetteur. Le système attribue automatiquement à chaque touche une commande par défaut selon le schéma suivant :

Commande	Touche
n° 1 - <b>Montée</b>	sera associée à la <b>1<sup>ère</sup> touche / touche 1 / touche ▲</b>
n° 2 - <b>Stop</b>	sera associée à la <b>2<sup>ème</sup> touche / touche 2 / touche ■</b>
n° 3 - <b>Descente</b>	sera associée à la <b>3<sup>ème</sup> touche / touche 3 / touche ▼</b>
n° 4 - <b>Pas-à-pas</b>	sera associée à la <b>4<sup>ème</sup> touche / touche 4</b> (si la touche est prévue sur l'émetteur).
<b>Remarque</b> - Les touches des émetteurs sont généralement identifiées par des symboles ou des chiffres. Si ces derniers n'apparaissent pas sur l'émetteur, pour identifier les touches (1, 2, etc.) se référer à la <b>fig. 5</b> .	

- **Mémorisation PERSONNALISÉE (dite également « Mode 2 »)**

Ce type de procédures permet de mémoriser, durant leur exécution, une seule touche parmi celles prévues sur l'émetteur en l'associant à l'une des commandes disponibles suivantes : **Montée**, **Stop**, **Descente**, **Pas-à-pas**.

Le choix de la touche et de la commande à associer est effectué par l'installateur en fonction des besoins de l'automatisme.

### 5.4.2 - Nombre d'émetteurs mémorisables

Le récepteur de l'unité de commande possède **192 emplacements de mémoire**. Un emplacement peut mémoriser alternativement un seul émetteur (à savoir l'ensemble de ses touches et commandes) ou une seule touche avec la commande correspondante.

## PROCÉDURES

**ATTENTION ! - Pour pouvoir exécuter les Procédures A, B, C, D, F, la mémoire de l'unité de commande doit être débloquée. Si elle est bloquée, effectuer la Procédure G pour la débloquent.**

## PROCÉDURE A - Mémorisation de TOUTES les touches d'un seul émetteur (modalité STANDARD ou Mode 1)

01.	Sur l'unité de commande : appuyer sur la <b>touche T2</b> et la laisser enfoncée jusqu'à l'allumage de la <b>Led « radio »</b> , puis la relâcher.
02.	(dans les 10 secondes) <u>Sur l'émetteur à mémoriser</u> : maintenir une touche quelconque enfoncée et attendre que la <b>Led « radio »</b> effectue 3(*) clignotements longs (= mémorisation effectuée correctement). Relâcher la touche.
03.	<b>Remarque</b> - Au terme des 3 clignotements longs, 10 autres secondes sont disponibles pour mémoriser éventuellement un autre émetteur à partir du point 02.

Au terme de la procédure, les touches de l'émetteur seront associées à des commandes spécifiées dans la description du Mode 1 (paragraphe 5.4.1).

## PROCÉDURE B - Mémorisation d'une SEULE TOUCHE d'un émetteur (modalité PERSONNALISÉE ou Mode 2)

01.	Choisir, dans le tableau en bas, la commande à associer à la touche à mémoriser.										
	<table border="1"><thead><tr><th>Choisir la Commande</th><th>Pour mémoriser la commande... (étape 02)</th></tr></thead><tbody><tr><td>n° 1 - <b>Montée</b></td><td>...appuyer sur la touche T2 <b>1 fois</b>.</td></tr><tr><td>n° 2 - <b>Stop</b></td><td>...appuyer sur la touche T2 <b>2 fois</b>.</td></tr><tr><td>n° 3 - <b>Descente</b></td><td>...appuyer sur la touche T2 <b>3 fois</b>.</td></tr><tr><td>n° 4 - <b>Pas-à-pas</b></td><td>...appuyer sur la touche T2 <b>4 fois</b>.</td></tr></tbody></table>	Choisir la Commande	Pour mémoriser la commande... (étape 02)	n° 1 - <b>Montée</b>	...appuyer sur la touche T2 <b>1 fois</b> .	n° 2 - <b>Stop</b>	...appuyer sur la touche T2 <b>2 fois</b> .	n° 3 - <b>Descente</b>	...appuyer sur la touche T2 <b>3 fois</b> .	n° 4 - <b>Pas-à-pas</b>	...appuyer sur la touche T2 <b>4 fois</b> .
Choisir la Commande	Pour mémoriser la commande... (étape 02)										
n° 1 - <b>Montée</b>	...appuyer sur la touche T2 <b>1 fois</b> .										
n° 2 - <b>Stop</b>	...appuyer sur la touche T2 <b>2 fois</b> .										
n° 3 - <b>Descente</b>	...appuyer sur la touche T2 <b>3 fois</b> .										
n° 4 - <b>Pas-à-pas</b>	...appuyer sur la touche T2 <b>4 fois</b> .										
02.	Sur l'unité de commande : enfoncer et relâcher <u>plusieurs fois</u> la <b>touche T2</b> comme indiqué près de la commande choisie dans le tableau en haut.										
03.	(dans les 10 secondes) <u>Sur l'émetteur</u> : maintenir la touche à mémoriser enfoncée et attendre que la <b>Led « radio »</b> effectue 3(*) clignotements longs (= mémorisation effectuée correctement). Relâcher la touche.										
04.	<b>Remarque</b> - Au terme des 3 clignotements longs, 10 autres secondes sont disponibles pour mémoriser éventuellement une autre touche à partir du point 01.										

### (\*) - Remarques sur les procédures A et B :

La Led « radio » peut également effectuer les signalisations suivantes :

- **1 clignotement rapide**, si l'émetteur a déjà été mémorisé.
- **6 clignotements**, si le codage radio de l'émetteur n'est pas compatible avec celui du récepteur de l'unité de commande.
- **8 clignotements**, si la mémoire est pleine.

## PROCÉDURE C - Mémorisation d'un émetteur au moyen d'un autre émetteur déjà mémorisé (mémorisation à distance par l'unité de commande)

Cette procédure permet de mémoriser un nouvel émetteur au moyen d'un autre émetteur déjà mémorisé dans la même unité de commande. Le nouvel émetteur peut ainsi recevoir les mêmes configurations de l'émetteur déjà mémorisé. L'exécution de la procédure ne prévoit pas l'action directe sur la touche T2 de l'unité de commande, mais la simple exécution dans son champ de réception.

- |     |   |
|-----|---|
| 01. | Sur l'émetteur <b>à mémoriser</b> : appuyer sur la touche à mémoriser et la laisser enfoncée.   |
| 02. | Sur l'unité de commande : au bout de quelques secondes (environ 5), la <b>Led « radio »</b> s'allume. Relâcher la touche de l'émetteur. |
| 03. | Sur l'émetteur <b>déjà mémorisé</b> : enfoncer et relâcher <b>3 fois</b> de suite la touche mémorisée à copier.                         |
| 04. | Sur l'émetteur <b>à mémoriser</b> : enfoncer et relâcher <b>1 fois</b> la même touche enfoncée au point 01.                             |

## PROCÉDURE D - Élimination d'un seul émetteur (s'il a été mémorisé en Mode 1) ou d'une seule touche d'un émetteur (s'il a été mémorisé en Mode 2)

- |     |  |
|-----|--|
| 01. | Sur l'unité de commande : appuyer et maintenir enfoncée la <b>touche T2</b> .<br>– Au bout de 4 secondes environ, la <b>Led « radio »</b> s'allume en permanence (maintenir la touche enfoncée).   |
| 02. | Sur l'émetteur à éliminer de la mémoire : appuyer sur une touche(*) et la laisser enfoncée jusqu'à ce que la <b>Led « radio »</b> (sur l'unité de commande) émette 5 clignotements rapides (ou bien 1 clignotement si l'émetteur ou la touche n'est pas mémorisé/e). |

(\*) **Remarque** - En cas d'émetteur mémorisé en Mode 1, il est possible d'appuyer sur une touche quelconque pour que l'unité de commande élimine complètement l'émetteur. En cas d'émetteur mémorisé en Mode 2, il faut appuyer sur la touche mémorisée à éliminer. Pour éliminer d'autres touches mémorisées en Mode 2, répéter toute la procédure pour chaque touche à éliminer.

## PROCÉDURE E - Élimination de TOUS les émetteurs mémorisés

- |     |  |
|-----|--|
| 01. | Sur l'unité de commande : appuyer et maintenir enfoncée la <b>touche « radio »</b> .<br>– Au bout de 4 secondes environ, la <b>Led « radio »</b> s'allume en permanence (maintenir la touche enfoncée).<br>– Au bout de 4 secondes environ, la <b>Led « radio »</b> s'éteint (maintenir la touche enfoncée). |
| 02. | Quand la <b>Led « radio »</b> se met à clignoter, compter 2 clignotements et se préparer à relâcher la touche <b>durant le 3<sup>ème</sup> clignotement</b> .  |
| 03. | Durant l'élimination, la <b>Led « radio »</b> clignote rapidement.   |



04. Enfin, la **Led « radio »** émet 5 clignotements longs pour signaler que l'élimination a bien été effectuée correctement.

## **PROCÉDURE F - Effacement de TOUTE la mémoire et réinitialisation des configurations d'usine**

- |     |  |
|-----|--|
| 01. | Sur l' <u>unité de commande</u> : appuyer et maintenir enfoncée la <b>touche « radio »</b> .<br>– Au bout de 4 secondes environ, la <b>Led « radio »</b> s'allume en permanence (maintenir la touche enfoncée).<br>– Au bout de 4 secondes environ, la <b>Led « radio »</b> s'éteint (maintenir la touche enfoncée). |
| 02. | Quand la <b>Led « radio »</b> se met à clignoter, compter 4 clignotements et se préparer à relâcher la touche <b>durant le 5<sup>ème</sup> clignotement</b> .  |
| 03. | Durant l'élimination, la <b>Led « radio »</b> clignote rapidement.   |
| 04. | Enfin, la <b>Led « radio »</b> émet 5 clignotements longs pour signaler que l'élimination a bien été effectuée correctement.   |

## **PROCÉDURE G - Blocage (ou Déblocage) de la mémoire**

**ATTENTION ! - Cette procédure bloque la mémoire en empêchant l'exécution des procédures A, B, C, D, F.**

- |     |   |
|-----|---|
| 01. | Mettre l'unité de commande hors tension.  |
| 02. | Sur l' <u>unité de commande</u> : appuyer sur la <b>touche « radio »</b> et la laisser enfoncée ; remettre ensuite l'unité de commande sous tension (tout en laissant la touche enfoncée).  |
| 03. | Au bout de 5 secondes, la <b>Led « radio »</b> émet 2 clignotements lents ; relâcher la touche.   |
| 04. | (dans les 5 secondes) Sur l' <u>unité de commande</u> : appuyer plusieurs fois sur la <b>touche « radio »</b> pour choisir une des options suivantes : <ul style="list-style-type: none"><li>• <u>Led éteinte</u> = <u>Désactivation</u> du Blocage de la mémorisation.</li><li>• <u>Led allumée</u> = <u>Activation</u> du Blocage de la mémorisation.</li></ul> |
| 05. | Au bout de 5 secondes à compter du dernier enfoncement de la touche, la <b>Led « radio »</b> émet 2 clignotements lents pour signaler la fin de la procédure.   |

Il s'agit des phases les plus importantes dans la réalisation de l'automatisme afin d'optimiser la sécurité de l'installation.

Ces phases doivent être effectuées par du personnel qualifié et expérimenté qui devra se charger d'établir les essais nécessaires pour vérifier les solutions adoptées au niveau des risques présents et s'assurer du respect des lois, normes et règlements, notamment de toutes les prescriptions des normes EN 13241, EN 12445 et EN 12453.

Les dispositifs supplémentaires doivent faire l'objet d'essais spécifiques pour en déterminer le bon fonctionnement et l'interaction correcte avec l'unité de commande MC200. Consulter les manuels d'instructions de chaque dispositif.

### 6.1 - Essai

La procédure d'essai peut être également utilisée pour vérifier périodiquement les dispositifs qui composent l'automatisme. Chaque élément de l'automatisme (bords sensibles, photocellules, clignotants, etc.) demande une phase spécifique d'essai ; pour ces dispositifs, il faudra effectuer l'essai figurant dans leurs manuels d'instructions. Effectuer l'essai de la façon suivante :

<b>01.</b>	S'assurer du strict respect des instructions fournies au chapitre RECOMMANDATIONS
<b>02.</b>	À l'aide du bouton de commande ou de l'émetteur, commander des manœuvres de fermeture et d'ouverture de la porte. Durant ces mouvements, s'assurer que <b>a)</b> les éventuelles photocellules interviennent au cours de la manœuvre de fermeture ; <b>b)</b> que l'éventuel bord sensible intervient dans la modalité configurée ; <b>c)</b> que la refermeture automatique de la porte, éventuellement programmée, a bien lieu dans le sens de la fermeture. Si les résultats des contrôles ne sont pas conformes, s'assurer que tous les branchements électriques ont bien été effectués correctement. Consulter notamment les instructions du paragraphe 4.3.
<b>03.</b>	Effectuer différents essais pour contrôler le bon coulissement de la porte, identifier les éventuels défauts de montage ou de réglage et la présence de points de frottement particuliers.
<b>04.</b>	Vérifier le fonctionnement correct de chaque dispositif de sécurité présent dans l'installation (photocellules, barres palpeuses, etc.).
<b>05.</b>	Contrôler le fonctionnement des éventuelles photocellules et les éventuelles interférences avec d'autres dispositifs : 1 - passer un cylindre (diamètre 5 cm et longueur 30 cm) entre une paire de photocellules, tout d'abord près de la TX puis de la RX, de manière à interrompre l'axe optique qui les unit virtuellement ; 2 - s'assurer que cette intervention provoque bien, dans l'unité de commande, l'action prévue (ex. : l'inversion du mouvement dans la manœuvre de fermeture).

## 6.2 - Mise en service

La mise en service ne peut avoir lieu que si toutes les phases d'essai ont donné un résultat positif (paragraphe 6.1).

La mise en service partielle ou dans des situations « provisoires » n'est pas autorisée.

01.	Réaliser et conserver (pendant au moins 10 ans) le dossier technique de l'automatisme qui devra comprendre les éléments suivants : dessin global de l'automatisme, schéma des branchements électriques, analyse des risques et solutions adoptées, déclaration de conformité du fabricant de tous les dispositifs utilisés (pour l'unité de commande MC200, utiliser la Déclaration de conformité UE en annexe) ; copie du manuel d'utilisation et du plan de maintenance de l'automatisme.
02.	Remplir et remettre au propriétaire la déclaration de conformité de l'automatisme.
03.	Remettre au propriétaire de l'automatisme le mode d'emploi (détachable) présent dans le manuel de l'automatisme.
04.	Élaborer et remettre le plan de maintenance au propriétaire de l'automatisme.
05.	Avant la mise en service de l'automatisme, informer correctement par écrit le propriétaire sur les dangers et les risques résiduels

## 7 MISE AU REBUT DU PRODUIT

**Ce produit fait partie intégrante de l'automatisme et doit donc être mis au rebut avec ce dernier.**

Comme pour l'installation, à la fin de la durée de vie de ce produit, les opérations de démantèlement doivent être effectuées par du personnel qualifié.

Ce produit se compose de divers matériaux : certains peuvent être recyclés, d'autres doivent être mis au rebut. S'informer sur les systèmes de recyclage ou de mise au rebut prévus par les normes en vigueur dans sa région pour cette catégorie de produit.

**⚠ ATTENTION ! - Certains composants du produit peuvent contenir des substances polluantes ou dangereuses qui pourraient avoir des effets nuisibles sur l'environnement et sur la santé des personnes s'ils n'étaient pas adéquatement éliminés.**



Comme l'indique le symbole ci-contre, il est interdit de jeter ce produit avec les ordures ménagères. Procéder au tri des composants pour leur élimination conformément aux normes locales en vigueur ou restituer le produit au vendeur lors de l'achat d'un nouveau produit équivalent.

**⚠ ATTENTION ! - Les règlements locaux en vigueur peuvent prévoir de lourdes sanctions en cas d'élimination abusive de ce produit.**

## 8 CARACTÉRISTIQUES TECHNIQUES

⚠ Toutes les caractéristiques techniques indiquées se réfèrent à une température ambiante de 20 °C (+/- 5 °C). • La société Nice S.p.A. se réserve le droit d'apporter des modifications au produit à tout moment si elle le juge nécessaire, en garantissant dans tous les cas les mêmes fonctions et la même utilisation prévue.

### UNITÉ DE COMMANDE ÉLECTRONIQUE MC200

<b>Alimentation :</b>	de : 120 V $\sim$ 50/60 Hz à : 230 V $\sim$ 50/60 Hz
<b>Puissance max. moteur :</b>	450 W (en cas d'alimentation en 120 V) ; 950 W (en cas d'alimentation en 230 V)
<b>Tension signaux de commande :</b>	environ 24 V $\equiv$
<b>Services (bornes 8-9) :</b>	tension à environ 24 V $\equiv$ ; courant max. 100 mA
<b>Entrée sécurité :</b>	configurée avec une résistance constante, elle doit être de 8,2 k $\Omega$
<b>Température de fonctionnement :</b>	-20°C ... +55°C
<b>Dimensions (mm) :</b>	118 x 52 x 147
<b>Poids (g) :</b>	300
<b>Indice de protection IP :</b>	

### RÉCEPTEUR RADIO (incorporé à l'unité de commande)

<b>Fréquence :</b>	433.92 MHz
<b>Codage radio :</b>	FLOR, O-CODE, SMILO

# Déclaration de conformité UE (N° 629/MC200) et déclaration d'incorporation de « quasi-machine »

**Remarque :** Le contenu de cette déclaration correspond à ce qui a été déclaré dans le document officiel déposé au siège social de Nice S.p.A. et, en particulier, à la dernière mise à jour disponible avant l'impression de ce manuel. Le présent texte a été réadapté pour des raisons d'édition. Une copie de la déclaration originale peut être demandée à Nice S.p.A. (TV) Italy.

**Révision : 0 ; Langue : FR**

- **Nom du fabricant :** Nice S.p.A.
- **Adresse :** Via Pezza Alta N°13, 31046 Rustignè di Oderzo (TV) Italy
- **Personne autorisée à constituer la documentation technique :** Nice S.p.A. - Via Pezza Alta n°13, 31046 Rustignè di Oderzo (TV) Italy
- **Type de produit :** Unité de commande pour 1 moteur 230 V~
- **Modèle/Type :** MC200
- **Accessoires :** Radiocommandes série FLOR, O-CODE, SMIL0

Je soussigné, Roberto Griffa, en qualité de Chief Executive Officer, déclare sous mon entière responsabilité que le produit susmentionné est conforme aux dispositions prescrites par les directives suivantes :

- **Directive 2014/53/UE (RED)**
  - Protection de la santé (art. 3(1)(a)) : EN 62479:2010
  - Sécurité électrique (art. 3(1)(a)) : EN 60950-1:2006 + A11:2009 + A12:2011 + A1:2010 + A2:2013
  - Compatibilité électromagnétique (art. 3(1)(b)) : EN 301 489-1 V2.2.0:2017 ; EN 301 489-3 V2.1.1:2017
  - Spectre radio (art. 3(2)) : EN 300 220-2 V3.1.1:2017


En outre, le produit s'avère conforme à la directive ci-après selon les conditions essentielles requises pour les « quasi-machines » (Annexe II, partie 1, section B) :

- **Directive 2006/42/CE** DU PARLEMENT EUROPÉEN ET DU CONSEIL du 17 mai 2006 relative aux machines et modifiant la directive 95/16/CE (refonte).
  - Les documents techniques ont été rédigés conformément à l'annexe VII B de la directive 2006/42/CE. Les conditions essentielles suivantes ont été respectées : 1.1.1 - 1.1.2 - 1.1.3 - 1.2.1 - 1.2.6 - 1.5.1 - 1.5.2 - 1.5.5 - 1.5.6 - 1.5.7 - 1.5.8 - 1.5.10 - 1.5.11
  - Le producteur s'engage à transmettre aux autorités nationales, sur la base d'une demande motivée, les données relatives à la « quasi-machine », dans le respect des droits de propriété intellectuelle.
  - Si la « quasi-machine » a été mise en service dans un pays d'Europe dont la langue officielle diffère de celle utilisée dans la présente déclaration, l'importateur doit y annexer la traduction correspondante.
  - La « quasi-machine » ne pourra pas être mise en service tant que la machine finale dont elle fait partie n'aura pas été à son tour déclarée conforme, le cas échéant, aux dispositions de la directive 2006/42/CE.

De plus, le produit s'avère conforme aux normes suivantes :  
EN 61000-6-2:2005 ; EN 61000-6-3:2007 + A1:2011 ;  
EN 60335-1:2012 + A11:2014 ; EN 62233:2008

**Lieu et date :** Oderzo, 05/09/2017

Ing. **Roberto Griffa**  
(Chief Executive Officer)



## ADVERTENCIAS GENERALES: SEGURIDAD - INSTALACIÓN - USO (instrucciones traducidas del italiano)

**⚠** Las siguientes advertencias se transcriben directamente de las Normas y se aplican, en la medida de lo posible, al producto en cuestión

**ATENCIÓN** Instrucciones importantes para la seguridad. Seguir todas las instrucciones: una instalación incorrecta puede provocar daños graves

**ATENCIÓN** Instrucciones importantes para la seguridad. Para la seguridad de las personas es importante seguir estas instrucciones. Conservar estas instrucciones

- Antes de comenzar la instalación, verificar las “Características técnicas del producto” y asegurarse de que el producto sea adecuado para la automatización en cuestión. NO proceder con la instalación si el producto no es adecuado
- El producto no se puede utilizar sin haber llevado a cabo las operaciones de puesta en servicio especificadas en el apartado “Prueba y puesta en servicio”

**ATENCIÓN** Según la legislación europea más reciente, la realización de una automatización debe respetar las normas armonizadas previstas por la Directiva Máquinas vigente, que permiten declarar la presunción de conformidad de la automatización. ¡Considerando todo esto, las operaciones de conexión a la red eléctrica, prueba, puesta en servicio y mantenimiento del producto deberán ser llevadas a cabo exclusivamente por un técnico cualificado y competente!

- Antes de proceder a la instalación del producto, comprobar que todo el material que se vaya a utilizar esté en perfectas condiciones y sea apto para el uso
- El producto no puede ser utilizado por niños ni por personas con capacidades físicas, sensoriales o mentales reducidas o carentes de experiencia o de conocimiento
- Los niños no deben jugar con el aparato
- No permitir que los niños jueguen con los dispositivos de mando del producto. Mantener los mandos a distancia fuera del alcance de los niños

**ATENCIÓN** Para evitar cualquier peligro debido al restablecimiento accidental del interruptor térmico, el aparato no debe alimentarse mediante un dispositivo de maniobra externo, como un temporizador, ni debe conectarse a un circuito que regularmente se conecte y desconecte de la alimentación

- En la red de alimentación de la instalación, colocar un dispositivo de desconexión (no suministrado) con una distancia de apertura de los contactos que permita la desconexión completa en las condiciones dictadas por la categoría de sobretensión III
- Durante la instalación, tratar el producto con cuidado evitando aplastamientos, caídas o contactos con cualquier tipo de líquido. No colocar el producto cerca de fuentes de calor y no exponerlo a llamas libres. Todas estas acciones pueden dañarlo y provocar defectos de funcionamiento o situaciones de peligro. En tal caso, suspender inmediatamente la instalación y acudir al Servicio de Asistencia
- El fabricante no asume ninguna responsabilidad ante daños patrimoniales, de bienes o de personas, derivados del incumplimiento de las instrucciones de montaje. En estos casos, la garantía por defectos de material queda sin efecto
- La limpieza y el mantenimiento del aparato deben ser efectuados por el usuario y no por niños sin vigilancia
- Antes de realizar cualquier operación en la instalación (limpieza, mantenimiento) hay que desconectar el aparato de la red de alimentación
- El material del embalaje del producto debe desecharse en plena conformidad con la normativa local
- Durante la ejecución de un movimiento, controlar el sistema de automatización y asegurarse de que las personas se mantengan alejadas hasta que el sistema pare de funcionar
- No poner en funcionamiento el producto cuando en sus proximidades se estén realizando tareas en la automatización; es necesario desconectar la fuente de alimentación antes de realizar estas tareas

## 1 DESCRIPCIÓN DEL PRODUCTO Y USO PREVISTO

**MC200** es una central electrónica que permite el control y el mando de un motor destinado a la automatización de una persiana, o de una puerta basculante, o de una puerta seccional, o de una cortina de enrollar, o de otras aplicaciones similares.

**⚠ ¡ATENCIÓN! - ¡Cualquier empleo diferente de aquel descrito y en condiciones ambientales diferentes de aquellas indicadas en este manual debe considerarse inadecuado y prohibido!**

Características funcionales:

- se conecta a la red eléctrica (ver los datos en el capítulo “Características técnicas del producto”);
- se programa configurando 8 microinterruptores;
- está dotada de un radiorreceptor incorporado que permite el mando de la automatización mediante un radiotransmisor;
- es posible conectar a la central diferentes accesorios: un par de fotocélulas, un intermitente (con alimentación a tensión de red) para señalizaciones luminosas, una tecla de pared para el mando de la automatización con mandos de tipo “paso-paso”, una antena de radio externa, una banda sensible, etc.
- está dotada de un conector tipo “IBT4N”, compatible con la interfaz IBT4N, que permite conectar todos los dispositivos dotados de interfaz BusT4, como por ejemplo la unidad de programación Oview.

## 2 LÍMITES DE EMPLEO

- La central MC200 se puede utilizar exclusivamente con un motor asíncrono monofásico. El motor debe estar: **a)** alimentado por red eléctrica, dimensionado para la misma tensión que alimenta la central; **b)** provisto de protección térmica; **c)** provisto de un dispositivo electromecánico que limite el movimiento (tope); **d)** dotado de conexiones de 3 conductores: “Común”, “Abre”, “Cierra”.
- El radioreceptor incorporado en la central permite el uso exclusivo de los transmisores que adoptan los protocolos de codificación radio **FLOR**, **O-CODE** o **SMILO** (son estándares de Nice).
- En el capítulo “Características técnicas del producto” se indican los demás límites de empleo.

## 3 INSTALACIÓN

**⚠ ¡Importante! - Antes de realizar la instalación del producto, verificar sus límites de empleo leyendo los capítulos 2 y 7.**

**⚠ Comprobar que la temperatura sea adecuada para el ámbito de aplicación.**

**⚠ El producto no se debe instalar en un ambiente exterior.**

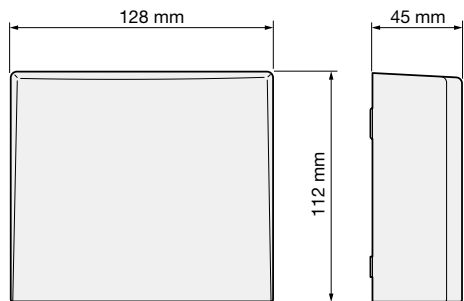
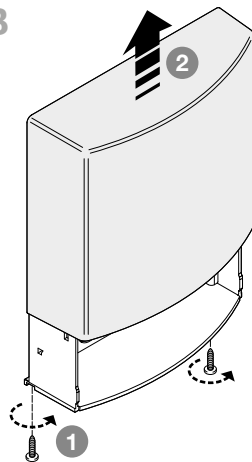
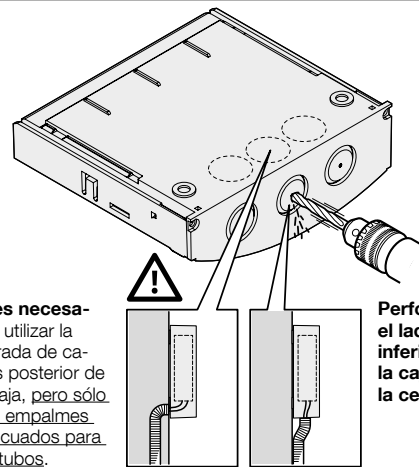
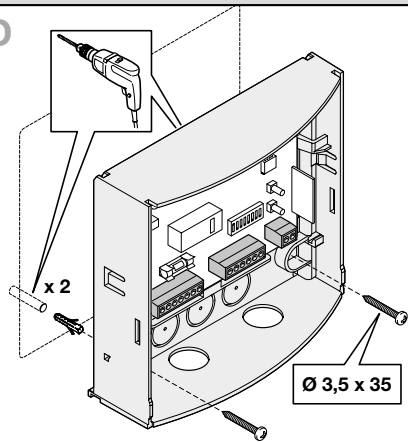
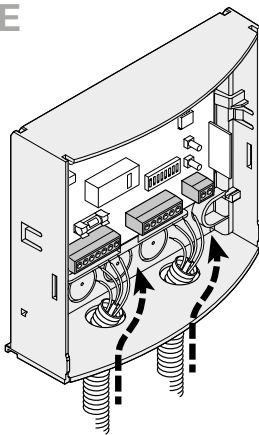
**⚠ Para perforar la caja de la central para el paso de los cables (fig. 1-C) es importante saber que el punto de entrada de los cables en la caja siempre debe estar en la parte inferior de la caja. Además hay que tomar las precauciones oportunas para garantizar el grado de protección (IP 44) adecuado para el tipo de instalación.**

**⚠ Antes de realizar la instalación, prepare los cables eléctricos necesarios para el sistema, tomando como referencia la fig. 2b y la “Tabla 1 - Características técnicas de los cables eléctricos”.**

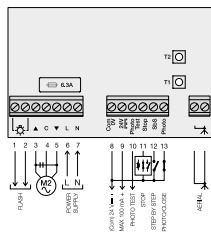
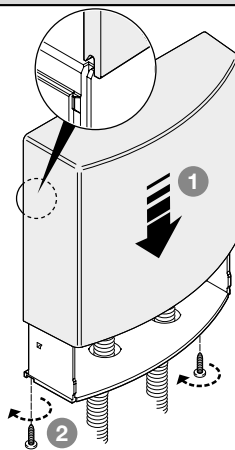
**⚠ ¡Atención! – Durante la colocación en obra de los tubos de protección de los cables eléctricos y la colocación de los cables en la caja de la central, es importante saber que, a causa de posibles depósitos de agua en los pozos de derivación, los tubos de protección de los cables pueden crear dentro de la central vapor de agua que puede dañar los circuitos electrónicos.**

Instalar la central tomando como referencia la **fig. 1**



**1****A****B****C****D****E****F**

**Conexiones eléctricas.**  
Consultar el capítulo 4

**G**

## 4 CONEXIONES ELÉCTRICAS

**⚠ ¡ATENCIÓN!** – Todas las conexiones eléctricas deben efectuarse sin tensión en la instalación. Las conexiones incorrectas pueden causar daños a los aparatos y a las personas.

**⚠ ¡ATENCIÓN!** – Las operaciones de conexión deben ser ejecutadas por personal cualificado.

### 4.1 - Predisposición de los cables eléctricos para la conexión de los dispositivos a la central (Tabla A)

**Tabla A** - Características técnicas de los cables eléctricos para las conexiones

Dispositivo a conectar	Sección del cable	Longitud máxima del cable
ALIMENTACIÓN DE LA CENTRAL DE MANDO	1 cable: 2 x 1,5 mm <sup>2</sup>	30 m <b>(*1)</b>
INTERMITENTE CON ANTENA RADIO	1 cable: 2 x 1,5 mm <sup>2</sup> (para la bombilla) 1 cable blindado tipo RG58 (para la antena)	20 m 20 m (recomendado < 5 m)
DISPOSITIVOS CONECTADOS A LOS BORNES 8-9-10-11-12-13	6 cables: 1 x 0,5 mm <sup>2</sup> <b>(*2)</b>	50 m
ALIMENTACIÓN PARA EL MOTOR	3 cables: 1 x 1,5 mm <sup>2</sup>	10 m

**(\*1)** – Si el cable de alimentación es más largo de 30 m, es necesario utilizar un cable con una sección mayor, por ejemplo: 2 x 2,5 mm<sup>2</sup>.  
**(\*2)** – Estos 6 cables se pueden sustituir con 1 único cable de 6 x 0,5 mm<sup>2</sup>.  
**¡ATENCIÓN!** – Los cables utilizados deben adaptarse al tipo de entorno en el que se realiza la instalación.

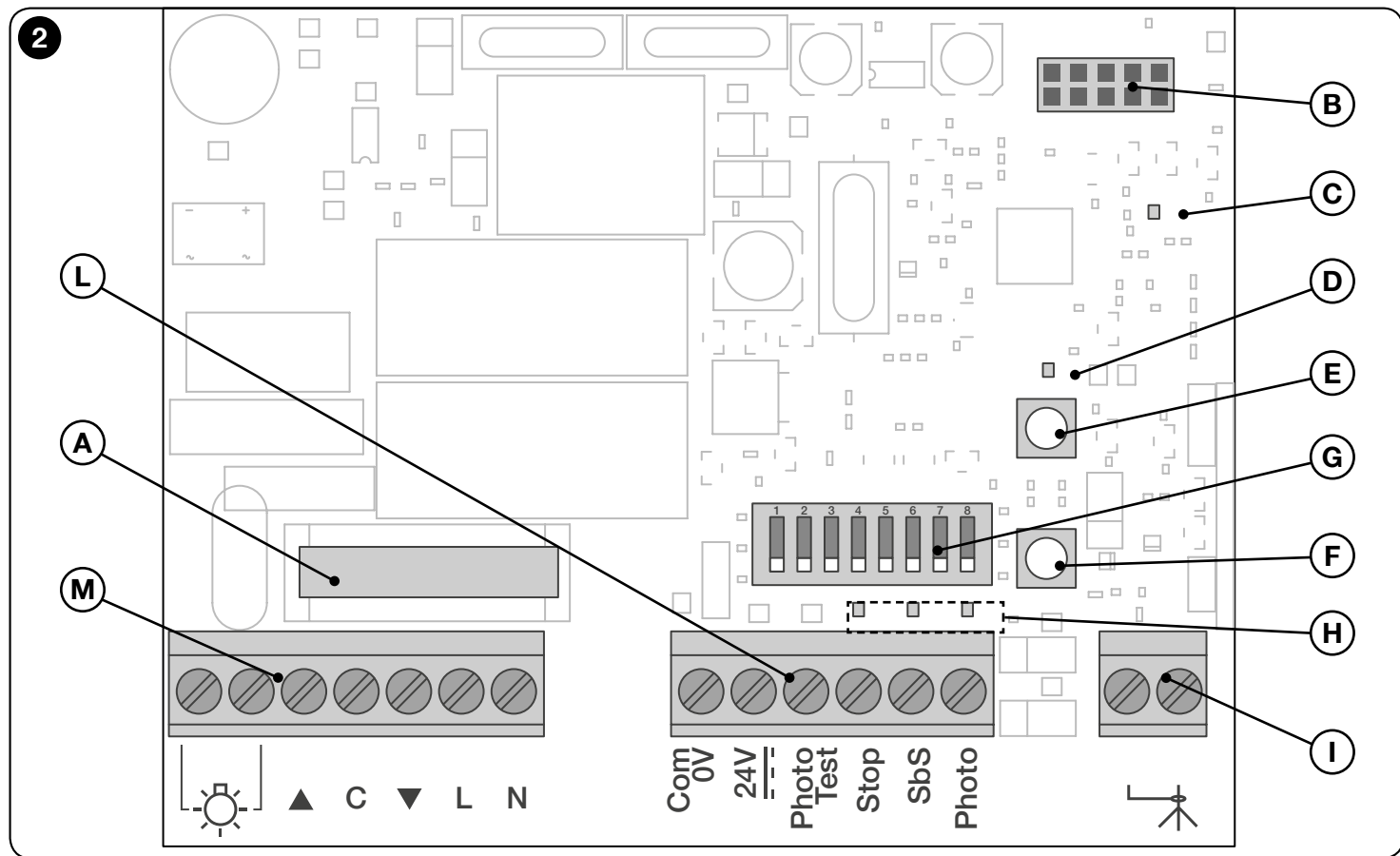
### 4.2 - Lista de las partes que componen la central

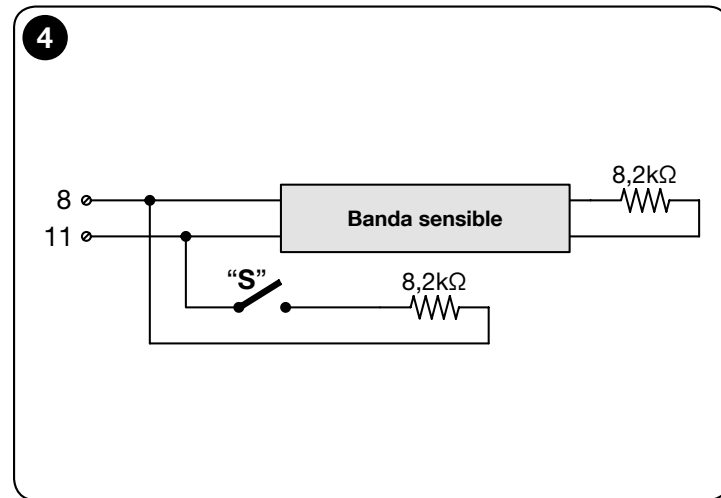
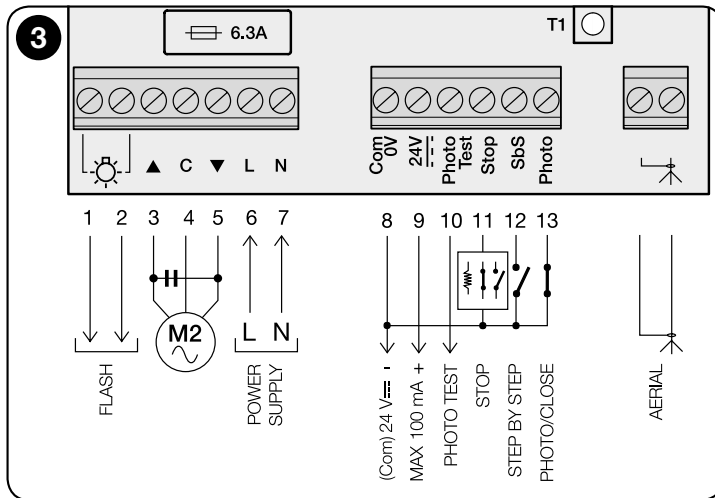
Durante las sucesivas fases de conexión y de programación de la central, para identificar los componentes citados en el texto, consultar la **fig. 2** y su leyenda.

- A** - Fusible de línea (6,3 A)
- B** - Conector para conectar la interfaz IBT4N
- C** - Led "OK"
- D** - Led "radio"
- E** - Tecla T2, para la memorización de un transmisor o borrar un transmisor o toda la memoria de la central
- F** - Tecla T1, para la programación y el envío de mandos paso-paso
- G** - Interruptor para la programación de las funciones
- H** - Led entradas ("Stop", "SbS", "Photo")

I - Bornes para antena radio  
L - Bornes para las entradas a baja tensión

M - Bornes para la conexión de la línea de alimentación y para el motor





## 4.3 - Conexiones base

### • Conexión del motor a la central MC200

Conectar los 3 conductores provenientes del motor (Fase de subida, Común, Fase de bajada) respectivamente a los **bornes 3, 4 y 5** de la central, como se muestra en la **fig. 3**.

**¡ATENCIÓN!** Antes de conectar el motor es indispensable asegurarse de que el conductor que se conectará al **borne 3** haga **ABRIR** la puerta, el conductor que se conectará al **borne 5** haga **CERRAR** la puerta y el conductor que se conectará al **borne 4** sea el **COMÚN**.

**¡Atención!** – No conectar varios motores en paralelo a una misma central, salvo que esté expresamente previsto en el manual de instrucciones del motor; eventualmente utilizar tarjetas de expansión.

### • Conexión de la alimentación a la central MC200

Conectar los 2 conductores provenientes de la red eléctrica (Fase y Neutro), respectivamente a los **bornes 6 y 7** de la central, como se muestra en la **fig. 3**.

### • Conexión a tierra del motor

**¡Atención!** - Para cumplir con los requisitos de seguridad eléctrica exigidos por la clase de pertenencia del producto (Clase II), es obligatorio efectuar la conexión a tierra del motor **externamente a la central MC200**.

## 4.4 - Conexión de los accesorios

Para conectar los accesorios previstos consultar la **Tabla B** en la **fig. 3** y el manual de instrucciones de cada accesorio. La **Tabla B** indica todos los accesorios conectables a los bornes de la central y las especificaciones para realizar las conexiones eléctricas. Antes de proceder, leer atentamente la tabla y sus notas. **Nota** – Como algunas entradas ofrecen distintas funciones para la conexión de los accesorios, al finalizar las conexiones será necesario configurar los microinterruptores de acuerdo con los accesorios conectados (ver el capítulo 5 - Programación).

**Tabla B** - Función de los bornes (entradas y salidas)

Bornes	Descripción de la función
1 - 2	<b>Salida</b> para un indicador luminoso intermitente a la tensión de red.
3 - 4 - 5	<b>Salida</b> para el mando del motor (abre, común, cierra).
6 - 7	<b>Entrada</b> para la línea de alimentación proveniente de la red eléctrica (fase, neutro).
8	Referencia a 0 V para el conductor “Común” de los dispositivos conectados en los bornes <b>9, 10, 11, 12 y 13</b> .
9	<b>Salida 24 V.</b> Salida para los servicios (por ejemplo, las fotocélulas) con alimentación a 24 V= (baja tensión): corriente máxima absorbible: 100 mA.
10	<b>Salida Photo test.</b> Salida a 24 V= para una fotocélula de transmisión (TX), o para un testigo de puerta abierta. Corriente máxima absorbible: 50 mA.
11	<b>Entrada Stop.</b> Entrada para los dispositivos de seguridad con resistencia constante a 8,2k $\Omega$ (banda sensible, etc.).
12	<b>Entrada SbS.</b> Entrada para una tecla NA (normalmente abierta), para el envío de mandos paso-paso.
13	<b>Entrada Photo.</b> Entrada para una fotocélula de recepción (RX) normalmente cerrada (NC), o para una tecla NA (normalmente abierta).
14 - 15	<b>Entrada</b> para una antena-radioreceptor.

## 4.5 - Cómo gestionar la salida “Photo test” y las entradas “Stop”, “SbS”, “Photo”

### 4.5.1 - Salida Photo test (borne 10)

Esta salida debe estar configurada con el microinterruptor de programación **7** en base al tipo de dispositivo conectado: si se conecta una fotocélula de transmisión (TX), el microinterruptor se debe poner en ON; si se conecta un testigo puerta-abierta, el microinterruptor se debe poner en OFF.

**NOTE** • Si a esta salida se conecta un testigo puerta-abierta, la fotocélula TX se debe conectar al borne **9**. • Las señales del testigo puerta-abierta tienen los siguientes significados:

testigo apagado = puerta cerrada; testigo encendido = puerta abierta; intermitente lento = puerta en apertura; intermitente veloz = puerta en cierre.

#### 4.5.2 - Entrada Stop (borne 11)

Esta entrada se debe configurar con el microinterruptor de programación **1 - 2** en base al tipo de dispositivo conectado: contactos normalmente cerrados (NC), contactos normalmente abiertos (NA) o contactos de resistencia constante (8,2kΩ). **¡Atención!** - Sólo el uso de un contacto de resistencia constante con la configuración OFF+OFF de los microinterruptores **1 - 2** garantiza el nivel mínimo de resistencia a los fallos exigido por las normas. Normalmente el disparo del dispositivo conectado a la entrada Stop provoca la parada inmediata del movimiento del motor, con una breve inversión de la maniobra (seleccionable con el microinterruptor **3**). Para desactivar esta inversión al disparo del dispositivo de seguridad (por ejemplo, cuando la banda sensible toca el pavimento) es posible conectar un contacto "**S**" (con una resistencia de 8,2kΩ conectada en serie) en paralelo a la banda sensible (ver la **fig. 4**). El contacto "**S**" debe colocarse de manera que se cierre en los últimos 30-40 mm de la maniobra de cierre, antes de que intervenga la banda sensible. De este modo, cuando el contacto "**S**" se cierra y la banda sensible interviene (por ejemplo, sobre el pavimento), la automatización se bloquea sin invertir la maniobra, y la puerta permanece totalmente cerrada. En este estado el sistema permite sólo el mando de la maniobra de apertura.

El estado de la entrada Stop es señalizado por el Led "Stop" con los significados indicados en la **Tabla C**.

**Tabla C** - Estado de la entrada "STOP" señalizado por el Led

Señal del Led "Stop"	Significado (estado de la entrada Stop)
Encendido	Activo (habilitación de la maniobra)
Apagado	No activo (maniobra bloqueada)
50% encendido + 50% apagado	Inversión desactivada
20% encendido + 80% apagado	No activo, con inversión desactivada (permitida sólo la maniobra de apertura)

#### 4.5.3 - Entrada SbS (borne 12)

Cada vez que se pulsa la tecla conectada a esta entrada, el sistema ejecuta el mando siguiente al último mando enviado, según una secuencia establecida en fábrica, programable con el microinterruptor 5 (por ejemplo, > abre > stop > cierra > stop > repetir...). Si la tecla de mando se mantiene pulsada (de 4 a 10 segundos), el sistema ejecuta siempre una maniobra de apertura; si se superan los 10 segundos, el sistema ejecuta siempre una maniobra de cierre. Esta función puede ser útil en presencia de varias centrales, cuando se desea el mando simultáneo de la misma maniobra para todas las respectivas puertas, independientemente del estado en que se encuentre cada central.

#### 4.5.4 - Entrada Photo (borne 13)

Esta entrada debe estar configurada con el microinterruptor de programación **4** en base al tipo de dispositivo conectado: si se conecta una fotocélula de recepción (RX) normalmente cerrada (NC), el microinterruptor se debe poner en OFF; si se conecta una tecla NA (normalmente abierta), el microinterruptor se debe poner en ON. **Nota** – Si se ha conectado una fotocélula de recepción (RX) normalmente cerrada (NC), en ausencia de habilitación se puede ejecutar sólo la maniobra de apertura.

## 5 PROGRAMACIÓN

**¡IMPORTANTE!** - Concluidas todas las conexiones, dar tensión eléctrica a la central y efectuar las programaciones configurando los ocho microinterruptores de la tarjeta según el tipo de dispositivos conectados y las funciones que se deseen activar o desactivar. Para la programación consultar la Tabla D.

**Tabla D** - Configuración de los microinterruptores

Microinterruptores	Configuración	Descripción de la función configurada
Interruptores 1 - 2	(1) OFF; (2) OFF	Habilita la entrada Stop para la conexión de un contacto de resistencia constante 8,2kΩ, <u>sin la tecla “S” que excluye la inversión</u> (ver <b>fig. 4</b> )
	(1) OFF; (2) ON	Habilita la entrada Stop para la conexión de un contacto de resistencia constante 8,2kΩ, <u>con la tecla “S” que interviene a 30-40 mm del tope para excluir la inversión</u> (ver <b>fig. 4</b> )
	(1) ON; (2) OFF	Habilita la entrada Stop para la conexión de un contacto NA (normalmente abierto)
	(1) ON; (2) ON	Habilita la entrada Stop para la conexión de un contacto NC (normalmente cerrado)
Interruptor 3	OFF	Habilita la entrada Stop para detener la maniobra en curso y ejecutar <u>una breve inversión del movimiento</u>
	ON	Habilita la entrada Stop para detener la maniobra en curso
Interruptor 4	OFF	Habilita la entrada Photo para la conexión de las fotocélulas
	ON	Habilita la entrada Photo para el uso como mando de cierre
Interruptor 5	OFF	Habilita los siguientes mandos cíclicos, de tipo paso-paso: > Abre > Stop > Cierra > Stop > (repite...)
	ON	Habilita los siguientes mandos cíclicos, de tipo paso-paso: > Abre > Stop > (repite...)
Interruptor 6	OFF	Inhabilita la función condominial
	ON	Habilita la función condominial
Interruptor 7	OFF	Habilita la función “Testigo-puerta-abierta”
	ON	Habilita la función Photo Test
Interruptor 8	OFF	Inhabilita el “Tiempo de pausa” para el cierre automático de la puerta, después de un mando de apertura
	ON	Habilita el “Tiempo de pausa” para el cierre automático de la puerta, después de un mando de apertura

## 5.1 - Más detalles sobre algunas funciones y opciones programables

### 5.1.1 - Microinterruptores 1 y 2 (para la entrada Stop)

Estos microinterruptores sirven para programar la entrada Stop en base al tipo de dispositivo de seguridad conectado:

- Contacto a resistencia constante 8,2kΩ, con inversión.
- Contacto a resistencia constante 8,2kΩ, sin inversión.
- Contacto NA (normalmente abierto).
- Contacto NC (normalmente cerrado).

### 5.1.2 - Microinterruptor 5 (para la entrada SbS)

Si la entrada SbS se programa con la secuencia de mandos paso-paso: **> Abre > Stop > (repetir...)**, con el microinterruptor 5 en ON, durante el uso de la automatización no será posible el mando de cierre de la puerta. Este mando se podrá dar sólo programando el cierre automático (microinterruptor 8 en ON) o mediante un radiotransmisor.

### 5.1.3 - Microinterruptor 6

- **Durante una maniobra de apertura:** si la función condicional está habilitada ([microinterruptor 6 en ON](#)), impide que el envío de un mando de apertura o de un mando paso-paso detenga la maniobra o la invierta antes de que ésta se concluya en el tope.
- **Durante una maniobra de cierre:** si la función condicional está habilitada ([microinterruptor 6 en ON](#)), el envío de un mando de apertura o de un mando paso-paso detiene la maniobra e invierte el movimiento, haciendo abrir la puerta.

## 5.2 - Memorización de la configuración de los microinterruptores

Después de configurar todos los microinterruptores (o, en lo sucesivo, cada vez que se desee cambiar la configuración de uno o más microinterruptores) es necesario memorizar en la central las configuraciones efectuadas, de la manera siguiente: cuando el **Led "OK"** empieza a parpadear (en color verde/rojo), significa que uno o más microinterruptores han sido desplazados. Para memorizar la nueva configuración, mantener pulsada la **tecla T1** en la central hasta cuando el **Led "OK"** quede encendido fijo, en color verde. Soltar la tecla.

## 5.3 - Programación del "Tiempo de trabajo" del motor y del "Tiempo de pausa" para el cierre automático

El "Tiempo de trabajo" y el "Tiempo de pausa" son dos parámetros de base de la central y se programan uno después del otro, con el mismo procedimiento. Estos parámetros se pueden programar sólo después de haber configurado y memorizado todos los microinterruptores.

- **¿Qué es el "Tiempo de trabajo"?** Es el tiempo máximo durante el cual la central mantiene alimentado el motor desde el instante en que se envía un mando. Este tiempo debe ser suficiente para permitir que el motor concluya la maniobra (y el tope sea alcanzado). El valor de fábrica (y que se restablece al borrar totalmente la memoria) es de 120 segundos. Es posible modificar este valor programando un tiempo de 5 segundos (mínimo) a 120 segundos (máximo). El procedimiento prevé la medición con adquisición automática del tiempo necesario para que el motor



concluya una maniobra. Por este motivo es necesario medir la maniobra más severa (más lenta) para el motor, que normalmente es el arranque del movimiento desde un tope. **¡Atención!** - Se recomienda programar un tiempo apenas (unos segundos) más largo que el tiempo necesario para llevar a cabo la maniobra.

• **¿Qué es el “Tiempo de pausa”?** Es el tiempo que la central espera para cerrar automáticamente la puerta después de que el usuario envía el mando de apertura (función: cierre automático). El tiempo de pausa programable va de 5 segundos (mínimo) a 120 segundos (máximo). El tiempo de pausa también se puede eliminar del todo; esto sirve para inhabilitar el cierre automático.

#### Para memorizar el “Tiempo de trabajo” y el “Tiempo de pausa”

01. Llevar la puerta al tope **inferior**.
02. Mantener pulsada la tecla **T1** en la central: no bien el motor arranque hacia el tope superior, comenzar a contar 5 segundos. A los 5 segundos la central empieza a memorizar la duración de la maniobra;
03. seguir manteniendo pulsada la tecla **T1**; esperar el final de la maniobra en el **tope superior**; esperar unos segundos más y por último soltar la tecla. El motor se detiene y la central memoriza el nuevo Tiempo de trabajo que se acaba de calcular.
04. En un plazo de 2 segundos desde la parada del motor, pulsar y mantener pulsada la tecla **T1** en la central: en ese momento comienza la medición del **Tiempo de pausa**.
05. Soltar la tecla **T1** una vez transcurrido el tiempo deseado (máximo 120 segundos); la central ordena al motor una **maniobra de bajada** y mientras tanto memoriza el **tiempo que se acaba de medir**. Este tiempo se utilizará en lo sucesivo para el cierre automático de la puerta.

**IMPORTANTE** - El tiempo de pausa programado se cumple sólo si el microinterruptor 8 está en ON.

#### Para cambiar el “Tiempo de trabajo” y el “Tiempo de pausa”

01. Si se desea cambiar sólo el “Tiempo de trabajo”, repetir el procedimiento desde el comienzo y detenerse en el paso 4.

#### Para inhabilitar el “Tiempo de pausa”

01. Si se desea inhabilitar el cierre automático y eliminar el tiempo de pausa, repetir el procedimiento desde el comienzo y detenerse en el paso 4. Como alternativa, el cierre automático se puede inhabilitar poniendo en OFF el microinterruptor 8.

## 5.4 - Memorización de los transmisores

El radioreceptor incorporado en la central es compatible con todos los transmisores que adoptan los protocolos de codificación radio **FLOR**, **O-CODE** o **SMILO** (son estándares de Nice).

### 5.4.1 - Dos modos de memorización de las teclas de los transmisores

Entre los procedimientos para memorizar los transmisores, algunos permiten memorizar en modo “estándar” (o Modo 1) y otros en modo “personalizado” (o Modo 2).

#### • Memorización ESTÁNDAR (llamada también “Modo 1”)

Los procedimientos de este tipo permiten memorizar simultáneamente, durante su ejecución, todas las teclas que hay en el transmisor. El sistema asocia automáticamente a una tecla un mando preestablecido en fábrica según el siguiente esquema:

Mando	Tecla
n° 1 - <b>Subida</b>	se asociará a la <b>1ª tecla / tecla 1 / tecla ▲</b>
n° 2 - <b>Stop</b>	se asociará a la <b>2ª tecla / tecla 2 / tecla ■</b>
n° 3 - <b>Bajada</b>	se asociará a la <b>3ª tecla / tecla 3 / tecla ▼</b>
n° 4 - <b>Paso-paso</b>	se asociará a la <b>4ª tecla / tecla 4</b> (si la tecla está en el transmisor).
<b>Nota</b> - Normalmente las teclas de los transmisores se identifican con símbolos o números. En su defecto, para identificar la 1a tecla, la 2a tecla, etc. consultar la <b>fig. 5</b> .	

#### • Memorización PERSONALIZADA (llamada también “Modo 2”)

Los procedimientos de este tipo permiten memorizar, durante su ejecución, una sola tecla de las que hay en el transmisor, asociándola a uno de los siguientes mandos: **Subida**, **Stop**, **Bajada**, **Paso-paso**.

La elección de la tecla y del mando a asociar es realizada por el instalador según las necesidades de la automatización.

### 5.4.2 - Número de transmisores memorizables

El receptor de la central posee **192 posiciones de memoria**. Una posición puede memorizar alternativamente un solo transmisor (es decir, el conjunto de sus teclas y mandos) o una sola tecla con el relativo mando.

## PROCEDIMIENTOS

**¡ATENCIÓN!** - Para poder ejecutar los Procedimientos **A, B, C, D, E**, la memoria de la central debe estar **desbloqueada**. Si está **bloqueada**, ejecutar el **Procedimiento G** para desbloquearla.

## PROCEDIMIENTO A - Memorización de TODAS las teclas de un solo transmisor (modo ESTÁNDAR o Modo 1)

01. En la central: pulsar y mantener pulsada la **tecla T2** hasta el encendido del **Led “radio”**; soltar la tecla.
02. (en un plazo de 10 segundos) En el transmisor que se desea memorizar: mantener pulsada una tecla cualquiera y esperar hasta que el **Led “radio”** emita 3(\*) parpadeos largos (= memorización efectuada correctamente). Soltar la tecla.
03. **Nota** - Después de los 3 parpadeos largos hay otros 10 segundos a disposición para memorizar otro transmisor (si se desea), comenzando desde el paso 02.

Al finalizar el procedimiento, las teclas del transmisor estarán asociadas a los mandos especificados en la descripción del Modo 1 (apartado 5.4.1).

## PROCEDIMIENTO B - Memorización de UNA SOLA TECLA de un transmisor (modo PERSONALIZADO o Modo 2)

01. En la tabla abajo elegir el mando que se desee asociar a la tecla a memorizar.

Elegir el mando	Para memorizar el mando... (paso 02)
n° 1 - <b>Subida</b>	...pulsar la tecla T2 <b>1 vez</b> .
n° 2 - <b>Stop</b>	...pulsar la tecla T2 <b>2 veces</b> .
n° 3 - <b>Bajada</b>	...pulsar la tecla T2 <b>3 veces</b> .
n° 4 - <b>Paso-paso</b>	...pulsar la tecla T2 <b>4 veces</b> .

02. En la central: pulsar y soltar muchas veces la **tecla T2** como se indica junto al mando preelegido en la tabla arriba.
03. (en un plazo de 10 segundos) En el transmisor: mantener pulsada la tecla que se desea memorizar y esperar hasta que el **Led “radio”** emita 3(\*) parpadeos largos (= memorización efectuada correctamente). Soltar la tecla.
04. **Nota** - Después de los 3 parpadeos largos hay otros 10 segundos a disposición para memorizar otra tecla (si se desea), comenzando desde el paso 01.

### (\*) - Notas sobre los procedimientos A y B:

El Led “radio” puede dar las siguientes señales:

- **1 parpadeo veloz**, si el transmisor ya está memorizado.
- **6 parpadeos**, si la codificación radio del transmisor no es compatible con la del receptor de la central.
- **8 parpadeos**, si la memoria está llena.

## PROCEDIMIENTO C - Memorización de un transmisor mediante otro transmisor ya memorizado (memorización a distancia de la central)

Este procedimiento permite memorizar un nuevo transmisor mediante el uso de un segundo transmisor ya memorizado en la misma central. El procedimiento permitirá que el nuevo transmisor reciba las mismas configuraciones del transmisor ya memorizado. El desarrollo del procedimiento no prevé la acción directa sobre la tecla T2 de la central sino el simple despliegue dentro de su radio de recepción.

- |     |  |
|-----|--|
| 01. | En el transmisor <b>a memorizar</b> : pulsar y mantener pulsada la tecla que se desea memorizar.                       |
| 02. | En la central: después de unos segundos (aprox. 5) se enciende el <b>Led "radio"</b> . Soltar la tecla del transmisor. |
| 03. | En el transmisor <b>ya memorizado</b> : pulsar y soltar <b>3 veces</b> la tecla memorizada que se desea copiar.        |
| 04. | En el transmisor <b>a memorizar</b> : pulsar y soltar <b>1 vez</b> la misma tecla pulsada en el punto 01.              |

## PROCEDIMIENTO D - Borrado de un solo transmisor (si se ha memorizado en Modo 1) o de una sola tecla de un transmisor (si se ha memorizado en Modo 2)

- |     |  |
|-----|--|
| 01. | En la central: pulsar y mantener pulsada la <b>tecla T2</b> .<br>– Después de aproximadamente 4 segundos, el <b>Led "radio"</b> se enciende con luz fija (seguir manteniendo pulsada la tecla).  |
| 02. | En el transmisor que se desee borrar de la memoria: pulsar y mantener pulsada una tecla(*) hasta cuando el <b>Led "radio"</b> (en la central) emita 5 parpadeos veloces (o 1 parpadeo si el transmisor o la tecla no están memorizados). |

(\*) **Nota** - Si el transmisor está memorizado en Modo 1 se puede pulsar cualquier tecla y la central borra todo el transmisor. Si el transmisor está memorizado en Modo 2, pulsar la tecla memorizada que se desee borrar. Para borrar más teclas memorizadas en Modo 2, repetir el procedimiento por cada tecla que se desee borrar.

## PROCEDIMIENTO E - Borrado de TODOS los transmisores memorizados

- |     |  |
|-----|--|
| 01. | En la central: pulsar y mantener pulsada la <b>tecla "radio"</b> .<br>– Después de aproximadamente 4 segundos, el <b>Led "radio"</b> se enciende con luz fija (seguir manteniendo pulsada la tecla).<br>– Después de aproximadamente 4 segundos, el <b>Led "radio"</b> se apaga (seguir manteniendo pulsada la tecla). |
| 02. | Cuando el <b>Led "radio"</b> comienza a parpadear, contar 2 parpadeos y prepararse para soltar la tecla <b>exactamente durante el 3<sup>er</sup> parpadeo</b> .  |

03. Durante el borrado, el **Led “radio”** parpadea rápidamente.

04. Por último, el **Led “radio”** emite 5 parpadeos largos para indicar que el borrado se ha realizado correctamente.

## **PROCEDIMIENTO F - Borrado de TODA la memoria y restablecimiento de la configuración de fábrica**

01. En la central: pulsar y mantener pulsada la **tecla “radio”**.

– Después de aproximadamente 4 segundos, el **Led “radio”** se enciende con luz fija (seguir manteniendo pulsada la tecla).

– Después de aproximadamente 4 segundos, el **Led “radio”** se apaga (seguir manteniendo pulsada la tecla).

02. Cuando el **Led “radio”** comienza a parpadear, contar 4 parpadeos y prepararse para soltar la tecla **exactamente durante el 5º parpadeo**.

03. Durante el borrado, el **Led “radio”** parpadea rápidamente.

04. Por último, el **Led “radio”** emite 5 parpadeos largos para indicar que el borrado se ha realizado correctamente.

## **PROCEDIMIENTO G - Bloqueo (o desbloqueo) de la memoria**

**¡ATENCIÓN! - El presente procedimiento bloquea la memoria impidiendo la ejecución de los Procedimientos A, B, C, D, F.**

01. Desconectar la alimentación de la central.

02. En la central: pulsar y mantener pulsada la **tecla “radio”**; conectar nuevamente la alimentación a la central (seguir manteniendo pulsada la tecla).

03. Después de 5 segundos el **Led “radio”** emite 2 parpadeos lentos; soltar la tecla.

04. (en un plazo de 5 segundos) En la central: pulsar varias veces la **tecla “radio”** para elegir una de las siguientes opciones:

• Led apagado = Desactivación del bloqueo de la memorización.

• Led encendido = Activación del bloqueo de la memorización.

05. 5 segundos después del último accionamiento de la tecla, el **Led “radio”** emite 2 parpadeos lentos para indicar el fin del procedimiento.

## 6 PRUEBA Y PUESTA EN SERVICIO

Éstas son las fases más importantes en la realización de la automatización para garantizar la seguridad máxima de la instalación. Deben ser ejecutadas por personal cualificado y experto que deberá establecer las pruebas necesarias para verificar las soluciones adoptadas contra los riesgos y deberá controlar que se respeten las leyes, normas y reglamentos, especialmente todos los requisitos de las normas EN 13241, EN 12445 y EN 12453.

Los dispositivos adicionales se deben someter a una prueba específica de funcionamiento e interacción con la central MC200. Consultar el manual de instrucciones de cada dispositivo.

### 6.1 - Prueba

El procedimiento de prueba puede llevarse a cabo para comprobar periódicamente los dispositivos que componen la automatización. Cada componente de la automatización (bandas sensibles, fotocélulas, intermitentes, etc.) requiere una fase de prueba específica; por lo tanto, se deberán realizar las pruebas indicadas en los respectivos manuales de instrucciones. Ejecutar la prueba de la siguiente manera:

<b>01.</b>	Cerciorarse de que se hayan respetado estrictamente las indicaciones del capítulo ADVERTENCIAS
<b>02.</b>	Utilizando la tecla de mando o el transmisor, emitir mandos de cierre y apertura de la puerta. Durante los movimientos, asegurarse de que <b>a)</b> las fotocélulas (si las hay) intervengan durante la maniobra de cierre; <b>b)</b> la banda sensible (si la hay) intervenga en el modo programado; <b>c)</b> el cierre automático de la puerta (si está programado) se produzca en la dirección de cierre. Si los resultados de las verificaciones no son conformes a lo prescrito, cerciorarse de que las conexiones eléctricas estén realizadas correctamente. En particular, consultar las advertencias del apartado 4.3.
<b>03.</b>	Realizar diferentes pruebas para evaluar la fluidez de desplazamiento de la puerta y detectar posibles defectos de montaje o de regulación, así como la presencia de puntos de fricción.
<b>04.</b>	Verificar el funcionamiento correcto de cada dispositivo de seguridad de la instalación (fotocélulas, bandas sensibles, etc.).
<b>05.</b>	Verificar el funcionamiento correcto de las fotocélulas (si las hay) y eventuales interferencias con otros dispositivos: 1 - pasar un cilindro (de 5 cm de diámetro y 30 cm de largo) por entre un par de fotocélulas, primero cerca de la TX y luego cerca de la RX, para interrumpir el eje óptico que las une virtualmente; 2 - comprobar que esto provoque la acción prevista en la central: por ejemplo, en caso de cierre, la inversión del movimiento.

## 6.2 - Puesta en servicio

La puesta en servicio puede llevarse a cabo sólo después de haber efectuado correctamente todas las fases de prueba (apartado 6.1). No está admitida la puesta en servicio parcial o en situaciones “precarias”.

01.	Realizar y conservar (mínimo 10 años) el expediente técnico de la automatización, que deberá incluir: dibujo de conjunto de la automatización, esquema de las conexiones eléctricas, análisis de los riesgos y soluciones adoptadas, declaración de conformidad del fabricante de todos los dispositivos utilizados (para la central MC200 utilizar la Declaración de conformidad UE adjunta); copia del manual de instrucciones de uso y del plan de mantenimiento de la automatización.
02.	Rellenar y entregar al dueño de la automatización la declaración de conformidad de la automatización.
03.	Entregar al dueño de la automatización el “manual de uso” (anexo desprendible del manual de la automatización).
04.	Preparar y entregar al dueño de la automatización el plan de mantenimiento.
05.	Antes de poner en servicio la automatización, informar al dueño adecuadamente y por escrito sobre los peligros y riesgos existentes

## 7 ELIMINACIÓN DEL PRODUCTO

**Este producto forma parte de la automatización; por consiguiente, deberá ser eliminado junto con ésta.**

Al igual que para las operaciones de instalación, al final de la vida útil de este producto, las operaciones de desguace deben ser efectuadas por personal experto.

Este producto está formado por varios tipos de materiales: algunos pueden reciclarse y otros deben eliminarse. Es necesario informarse sobre los sistemas de reciclado o eliminación previstos por las normativas vigentes en el territorio para esta categoría de producto.

**⚠ ¡ATENCIÓN! - Algunas partes del producto pueden contener sustancias contaminantes o peligrosas que, de abandonarlas en el medio ambiente, podrían ejercer efectos perjudiciales en el medio ambiente y la salud humana.**



Como lo indica el símbolo que aparece al lado, está prohibido eliminar este producto junto con los desechos domésticos. Realice la recogida selectiva para la eliminación, según las normativas vigentes locales, o bien entregue el producto al vendedor cuando compre un nuevo producto equivalente.

**⚠ ¡ATENCIÓN! Los reglamentos locales pueden prever sanciones importantes en caso de eliminación ilegal de este producto.**

## 8 CARACTERÍSTICAS TÉCNICAS

⚠ Todas las características técnicas indicadas se refieren a una temperatura ambiente de 20°C (± 5°C). • Nice S.p.A. se reserva el derecho de modificar el producto en cualquier momento en que lo considere necesario, manteniendo las mismas funciones y el mismo uso previsto.

### CENTRAL ELECTRÓNICA MC200

<b>Alimentación:</b>	de: 120 V~ 50/60 Hz a: 230 V~ 50/60 Hz
<b>Potencia máxima motor:</b>	450 W (alimentado a 120 V); 950 W (alimentado a 230 V)
<b>Tensión de las señales de mando:</b>	aprox. 24 V==
<b>Servicios (bornes 8-9):</b>	tensión a aprox. 24 V==; corriente máx. 100 mA
<b>Entrada seguridad:</b>	en configuración con una resistencia constante debe ser 8,2kΩ
<b>Temperatura de funcionamiento:</b>	-20 °C ... +55 °C
<b>Medidas (mm):</b>	118 x 52 x 147
<b>Peso (g):</b>	300
<b>Grado de protección IP:</b>	44

### RADIORRECEPTOR (incorporado en la central)

<b>Frecuencia:</b>	433.92 MHz
<b>Codificación radio:</b>	FLOR, O-CODE, SMILO



## Declaración de conformidad UE (N. 629/MC200) y declaración de incorporación de una “cuasi máquina”

**Nota:** El contenido de la presente declaración se corresponde con lo declarado en el documento oficial que se encuentra en la sede de Nice S.p.A. y, en particular, con la última revisión disponible antes de la impresión de este manual. El texto ha sido readaptado por motivos de impresión. No obstante, es posible solicitar una copia de la declaración original a Nice S.p.A. (TV) Italy.

**Revisión: 0; Idioma: ES**

- **Nombre del fabricante:** Nice S.p.A.
- **Dirección:** Via Pezza Alta n°13, 31046 Rustignè di Oderzo (TV) Italy
- **Persona autorizada para elaborar la documentación técnica:** Nice S.p.A. - Via Pezza Alta n°13, 31046 Rustignè di Oderzo (TV) Italy
- **Tipo de producto:** Central de mando para 1 motor 230 V~
- **Modelo/Tipo:** MC200
- **Accesorios:** Radiomandos serie FLOR, O-CODE, SMIL0

El que suscribe, Roberto Griffa, en su carácter de Chief Executive Officer, declara bajo su responsabilidad que el producto antedicho es conforme a las disposiciones de las siguientes directivas:

- **Directiva 2014/53/UE (RED)**
  - Protección de la salud (art. 3(1)(a)): EN 62479:2010
  - Seguridad eléctrica (art. 3(1)(a)): EN 60950-1:2006 + A11:2009 + A12:2011 + A1:2010 + A2:2013
  - Compatibilidad electromagnética (art. 3(1)(b)): EN 301 489-1 V2.2.0:2017; EN 301 489-3 V2.1.1:2017
  - Espectro radio (art. 3(2)): EN 300 220-2 V3.1.1:2017

Asimismo, el producto cumple con la siguiente directiva de conformidad con los requisitos previstos para las “cuasi máquinas” (Anexo II, parte 1,

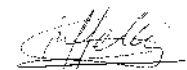
sección B):

- **Directiva 2006/42/CE** DEL PARLAMENTO EUROPEO Y DEL CONSEJO del 17 de mayo de 2006 relativa a las máquinas y por la que se modifica la Directiva 95/16/CE (refundición).
  - Se declara que la documentación técnica correspondiente se ha elaborado de conformidad con el anexo VII B de la Directiva 2006/42/CE y que se han respetado los siguientes requisitos fundamentales: 1.1.1 - 1.1.2 - 1.1.3 - 1.2.1 - 1.2.6 - 1.5.1 - 1.5.2 - 1.5.5 - 1.5.6 - 1.5.7 - 1.5.8 - 1.5.10 - 1.5.11
  - El fabricante se compromete a enviar a las autoridades nacionales que así lo soliciten la información pertinente sobre la “cuasi máquina”, sin perjuicio de sus propios derechos de propiedad intelectual.
  - Si la “cuasi máquina” se pone en servicio en un país europeo cuyo idioma oficial no es el de esta declaración, el importador tendrá la obligación de adjuntar la traducción correspondiente.
  - Se advierte que la “cuasi máquina” no deberá ponerse en servicio hasta que la máquina que la contenga no sea declarada conforme en virtud de la directiva 2006/42/CE, si procede.

El producto cumple con las siguientes normas:  
EN 61000-6-2:2005; EN 61000-6-3:2007 + A1:2011;  
EN 60335-1:2012 + A11:2014; EN 62233:2008

**Lugar y fecha:** Oderzo, 05/09/2017

Ing. **Roberto Griffa**  
(Chief Executive Officer)



## ALLGEMEINE HINWEISE: SICHERHEIT – INSTALLATION – GEBRAUCH (Aus dem Italienischen übersetzte Anleitung)

**⚠** Die folgenden Hinweise wurden direkt aus den geltenden Normen übernommen und sind soweit möglich auf das betreffende Produkt anwendbar

**ACHTUNG** Wichtige Sicherheitshinweise. Halten Sie alle Anweisungen strikt ein. Eine unkorrekte Installation kann schwerwiegende Schäden verursachen

**ACHTUNG** Wichtige Sicherheitshinweise. Die Sicherheit von Personen ist nur gewährleistet, wenn die folgenden Anweisungen eingehalten werden. Bewahren Sie diese Anleitung gut auf

- Vor der Installation anhand der „technischen Produktmerkmale“ prüfen, ob das Produkt als Antrieb für die betroffene Vorrichtung geeignet ist. Das Produkt im gegenteiligen Fall NICHT installieren
- Das Produkt darf erst verwendet werden, nachdem es wie im Abschnitt „Abnahmeprüfung und Inbetriebnahme“ beschrieben in Betrieb genommen wurde

**ACHTUNG** Gemäß der aktuellen europäischen Gesetzgebung muss ein Torantrieb entsprechend den harmonisierten Normen der EG-Maschinenrichtlinie ausgeführt werden, die es erlauben, eine Erklärung über die vermutliche Konformität des Antriebs auszustellen. Daher müssen der Anschluss an das Stromnetz, die Abnahmeprüfung, Inbetriebsetzung und die Wartung des Produkts von einem kompetenten Fachtechniker ausgeführt werden!

- Vor der Installation des Produkts sicherstellen, dass das gesamte zu verwendende Material in einwandfreiem Zustand und für den Bestimmungszweck geeignet ist
- Das Produkt darf nicht von Personen (einschließlich Kindern) mit eingeschränkten physischen, sensorischen oder geistigen Fähigkeiten oder mangelnder Erfahrung bzw. Kenntnis bedient werden
- Kinder dürfen nicht mit dem Produkt spielen
- Kinder dürfen nicht mit den Befehleinrichtungen dieses Produkts zu spielen. Die Fernbedienungen dürfen nicht in die Hand von Kindern gelangen

**ACHTUNG** Um alle Gefahren im Zusammenhang mit einer unvorhergesehenen Wiedereinschaltung des Schutzschalters zu verhindern, darf dieses Produkt nicht über eine externe Schaltvorrichtung (z. B. eine Zeitschaltuhr) mit Strom versorgt oder an einen Stromkreis angeschlossen werden, der regelmäßig ein- oder ausgeschaltet wird

- Das Versorgungsnetz der Anlage muss eine Abschaltvorrichtung (nicht im Lieferumfang enthalten) mit einem Öffnungsabstand der Kontakte besitzen, der eine vollständige Abschaltung gemäß den Bedingungen von Überspannungskategorie III ermöglicht
- Das Produkt bei der Installation vorsichtig handhaben und Quetschungen, Stöße, Herunterfallen sowie den Kontakt mit Flüssigkeiten jeder Art vermeiden. Das Produkt von Wärmequellen und offenen Flammen fernhalten. Diese Handlungen können das Produkt beschädigen und Funktionsstörungen oder Gefahrensituationen verursachen. In diesen Fällen die Installation unverzüglich abbrechen und den Kundendienst kontaktieren
- Der Hersteller haftet nicht für Vermögens-, Personen- oder Sachschäden, die durch Nichtbeachtung der Montageanweisungen entstehen. In diesen Fällen ist die Garantie für Materialfehler ausgeschlossen
- Kinder dürfen Reinigungs- und Wartungsarbeiten, die vom Anwender auszuführen sind, nur erledigen, wenn sie von einer erwachsenen Person beaufsichtigt werden
- Das Produkt vor Arbeiten an der Anlage (Wartung, Reinigung) immer erst von der Stromversorgung trennen
- Das Verpackungsmaterial des Produkts muss in Übereinstimmung mit den örtlichen Vorschriften entsorgt werden
- Während der Ausführung der Bewegung die Automatisierung kontrollieren und Personen solange fernhalten, bis die Bewegung abgeschlossen ist
- Das Produkt nicht betätigen, wenn Personen in der Nähe an der Automatisierung arbeiten; die Vorrichtung vom Stromnetz trennen, bevor solche Arbeiten ausgeführt werden

## 1 BESCHREIBUNG DES PRODUKTS UND BESTIMMUNGSZWECK

**MC200** ist eine elektronische Steuerung zur Verwaltung eines Motors zur Automatisierung von Rolltoren, Kipptoren, Sektionaltoren oder Rollläden sowie anderen vergleichbaren Anwendungen.

**⚠ ACHTUNG! - Jede Verwendung, die von der vorliegenden Beschreibung und den angegebenen Umgebungsbedingungen abweicht, gilt als unsachgemäß und ist verboten!**

Funktionseigenschaften:

- Anschluss an das Stromnetz (siehe Kapitel „Technische Produktmerkmale“);
- Programmierung über 8 Dip-Schalter;
- integrierter Funkempfänger, der die Steuerung der Automatisierung über einen Funksender ermöglicht;
- Möglichkeit, verschiedenes Zubehör an die Steuerung anzuschließen, z. B.: Fotozellenpaar, Blinklichtanzeige (mit Netzspannungsversorgung), Wandschalter zur Steuerung der Automatisierung anhand von Befehlen wie „Schrittbetrieb“, externe Funkantenne oder Schaltleiste.
- IBT4N-Anschluss, kompatibel mit IBT4N-Schnittstelle, der den Anschluss aller Vorrichtungen mit BusT4-Schnittstelle ermöglicht, beispielsweise die Programmierereinheit „Oview“.

## 2 EINSATZBESCHRÄNKUNGEN

- Die Steuerung MC200 kann nur mit einem Einphasen-Asynchronmotor zur Anwendung kommen. Motoranforderungen: **a)** Netzstromspeisung mit der identischen Spannung wie Steuerungsversorgung; **b)** mit Wärmeschutzschalter; **c)** mit elektromechanischer Ausrüstung zur Bewegungsbegrenzung (Endschalter); **d)** mit 3-Leiter-Anschlüssen: „Allgemein“, „Öffnen“, „Schließen“.
- Der integrierte Funkempfänger der Steuerung ermöglicht die ausschließliche Verwendung der Sender, die Protokolle mit den Funkcodes **FLOR**, **O-CODE** oder **SMILO** nutzen (Standards von Nice).
- Für weitere Einsatzbeschränkungen siehe Kapitel „Technische Produktmerkmale“.

## 3 INSTALLATION

**⚠ Wichtig!** - Vor der Produktinstallation immer die Einsatzbeschränkungen laut Kapitel 2 und 7 prüfen.

**⚠ Prüfen**, ob die Temperatur für den Anwendungsbereich geeignet ist.

**⚠ Das Produkt darf nicht im Freien installiert werden.**

**⚠ Wenn das Gehäuse der Steuerung für die Durchführung der Kabel durchbohrt werden muss (Abb. 1-C), muss sich der Kabeleingang am Gehäuse immer am unteren Gehäuseteil befinden. In diesem Fall auch die entsprechenden Vorsichtsmaßnahmen treffen, um die vom Installationstyp geforderte IP-Schutzart (IP 44) zu garantieren.**

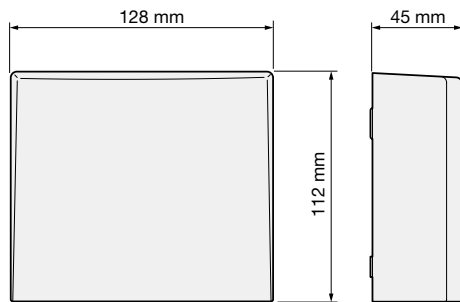
**⚠ Vor der Installation alle für die Anlage notwendigen Stromkabel vorbereiten (siehe auch Abb. 2b und Tabelle 1 – „Technische Merkmale der Stromkabel“).**

**⚠ Achtung!** – Bei der Verlegung der Schutzschläuche für die Stromkabel und der Einführung der Kabel in das Gehäuse der Steuerung darauf achten, dass die Schutzschläuche aufgrund von möglichen Wasserrückständen in den Abzweigschächten kein Kondenswasser in der Steuerung bilden können, um eine Beschädigung der elektronischen Schaltkreise zu verhindern.

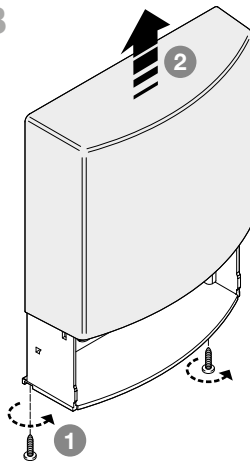
Die Steuerung gemäß **Abb. 1** installieren.

**1**

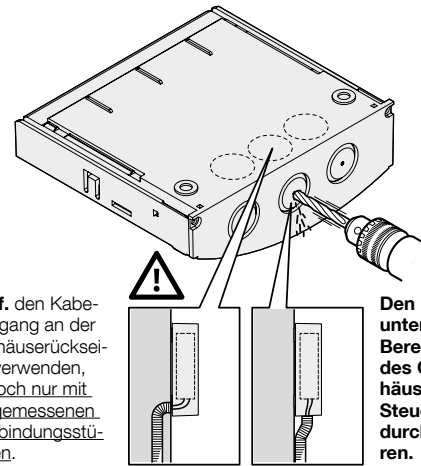
**A**



**B**



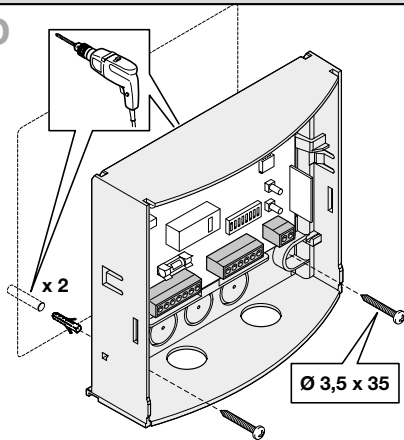
**C**



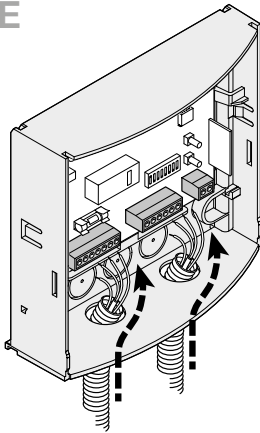
Ggf. den Kabel-  
leingang an der  
Gehäuserücksei-  
te verwenden,  
jedoch nur mit  
angemessenen  
Verbindungsstü-  
cken.

Den  
unteren  
Bereich  
des Ge-  
häuses der  
Steuerung  
durchboh-  
ren.

**D**

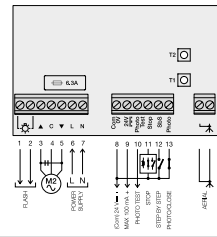


**E**

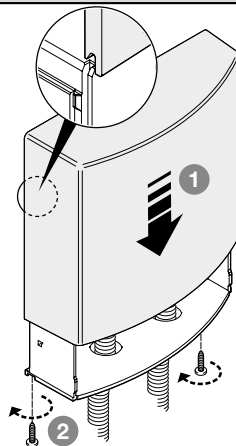


**F**

**Elektrische  
Anschlüsse.**  
Siehe Kapitel 4



**G**



DE

## 4 ELEKTRISCHE ANSCHLÜSSE

**⚠ ACHTUNG!** – Alle elektrischen Anschlüsse müssen ohne Spannung an der Anlage ausgeführt werden. Fehlerhafte Anschlüsse können zu Personen- und Sachschäden führen.

**⚠ ACHTUNG!** – Die Anschlüsse dürfen nur von qualifiziertem Personal ausgeführt werden.

### 4.1 - Ausrichtung der Stromkabel für den Anschluss von Vorrichtungen an die Steuerung (Tabelle A)

**Tabelle A** - Technische Merkmale der Stromkabel

Anzuschließende Vorrichtung	Kabeldurchschnitt	Kabellänge max.
VERSORGUNG DER STEUERUNG	1 Kabel: 2 x 1,5 mm <sup>2</sup>	30 m <b>(*1)</b>
BLINKLICHTANZEIGE MIT FUNKANTENNE	1 Kabel: 2 x 1,5 mm <sup>2</sup> (für Leuchte) 1 Abschirmkabel Typ RG58 (für Antenne)	20 m 20 m (empfohlen: < 5 m)
VORRICHTUNGEN MIT ANSCHLUSS AN DIE KLEMMEN 8-9-10-11-12-13	6 Kabel: 1 x 0,5 mm <sup>2</sup> <b>(*2)</b>	50 m
VERSORGUNG DES MOTORS	3 Kabel: 1 x 1,5 mm <sup>2</sup>	10 m

**(\*1)** – Ist das Versorgungskabel länger als 30 m, muss es einen größeren Querschnitt aufweisen, z. B. 2 x 2,5 mm<sup>2</sup>.  
**(\*2)** – Diese 6 Kabel können durch ein einzelnes Kabel mit 6 x 0,5 mm<sup>2</sup> ersetzt werden.

**ACHTUNG!** – Die verwendeten Kabel müssen der Installationsumgebung gerecht werden.

### 4.2 - Verzeichnis der Steuerungskomponenten

Sich bei der nachfolgenden Verbindung und Programmierung der Steuerung zur Ermittlung der erwähnten Komponenten auf **Abb. 2** und ihre Legende beziehen.

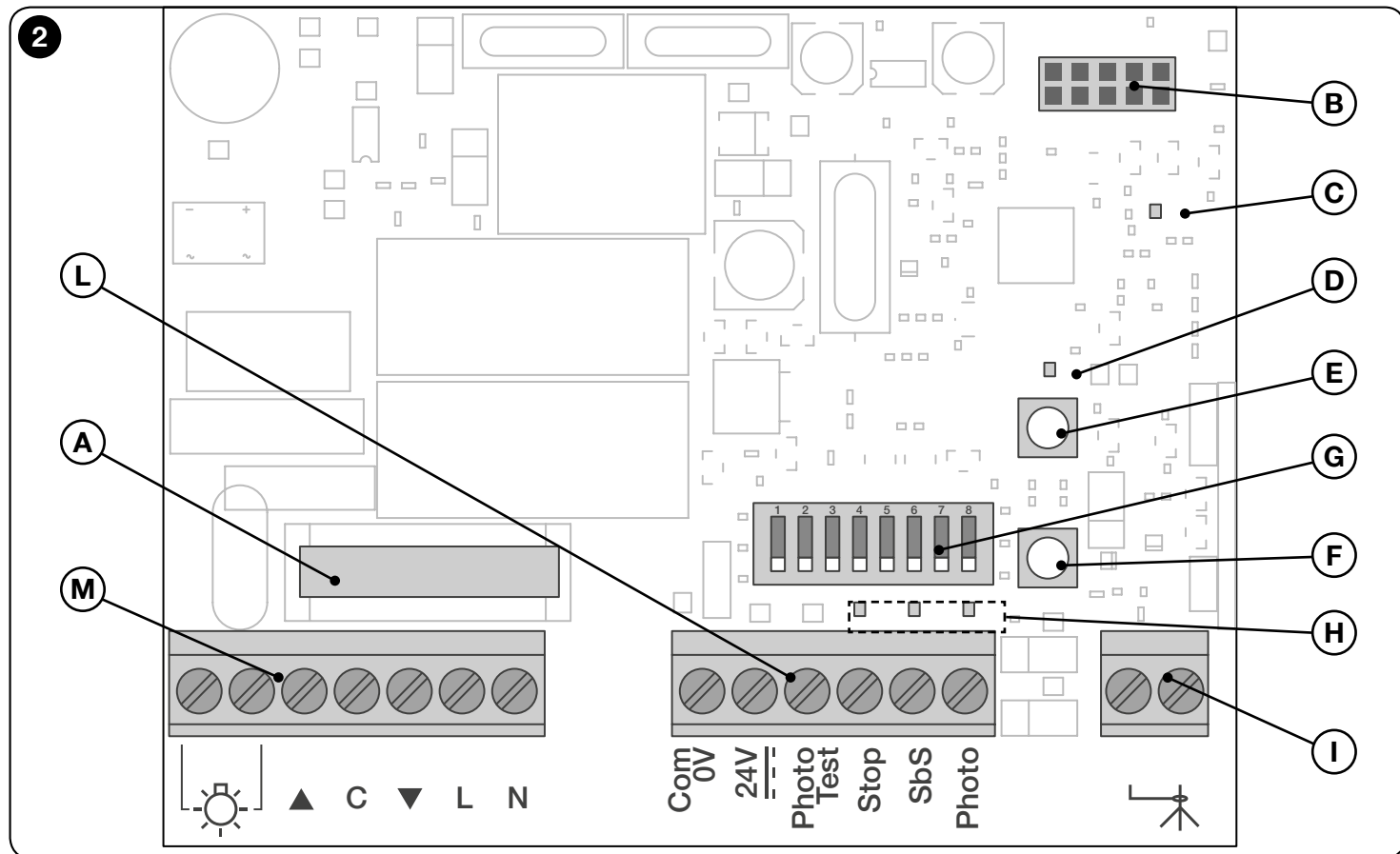
- A** - Leitungssicherung (6,3 A)
- B** - Anschluss zur Einführung der Schnittstelle IBT4N
- C** - Led „OK“
- D** - Led „Funk“
- E** - Taste T2 für die Speicherung eines Senders bzw. Löschung eines Senders oder des gesamten Speichers der Steuerung
- F** - Taste T1 zu Programmierung und Übertragung der Befehle „Schrittbetrieb“
- G** - Dip-Schalter zur Programmierung der Funktionen

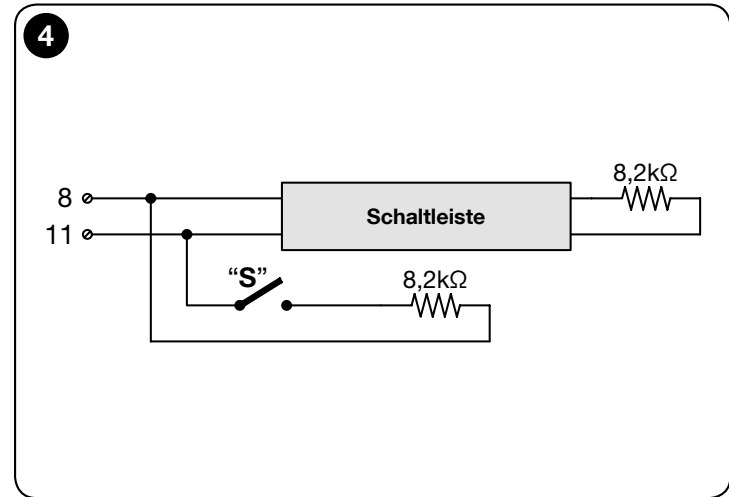
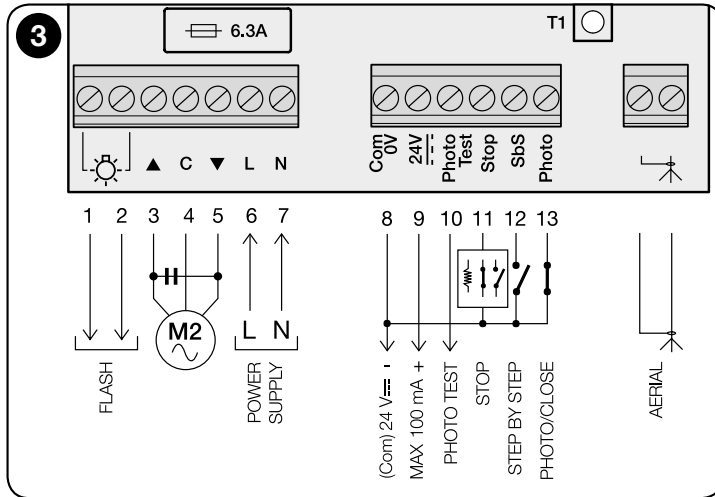
**H** - Led „Eingänge“ („Stop“, „SbS“, „Photo“)

**I** - Klemmen für Funkantenne

**L** - Klemmen für Niederspannungseingänge

**M** - Klemmen für den Anschluss der Versorgungsleitung und des Motors





## 4.3 - Basisanschlüsse

### • Anschluss des Motors an die Steuerung MC200

Die 3 vom Motor stammenden Leiter (Hochfahren, Allgemein, Herunterfahren) jeweils an die **Klemmen 3, 4 und 5** der Steuerung gemäß **Abb. 3** anschließen.

**ACHTUNG!** Vor dem Anschluss des Motors zwingend sicherstellen, dass der Leiter, der an die **Klemme 3** angeschlossen ist, die Tür **ÖFFNET**, der Leiter, der an die **Klemme 5** angeschlossen ist, die Tür **SCHLIESST** und der Leiter, der an die **Klemme 4** angeschlossen ist, als **ALLGEMEIN** gilt.

**Achtung!** – Motoren dürfen nicht parallel an eine selbe Steuerung angeschlossen werden, wenn dies in der Anleitung des Motors nicht ausdrücklich vorgesehen ist. Ggf. die entsprechenden Erweiterungsplatinen verwenden.

### • Anschluss der Versorgung an die Steuerung MC200

Die 2 vom Stromnetz stammenden Leiter (Phasenleiter und Neutralleiter) jeweils an die **Klemmen 6 und 7** der Steuerung gemäß **Abb. 3** anschließen.

### • Erdung des Motors

**Achtung!** - Zur Einhaltung der elektrischen Sicherheitsanforderungen, die von der Zugehörigkeitsklasse des Produkts (Klasse II) vorgegeben sind, muss der Motor zwingen geerdet werden, **und zwar an der Außenseite der Steuerung MC200**.



## 4.4 - Anschluss der Zubehörteile

Für den Anschluss des vorgesehenen Zubehörs siehe **Tabelle B, Abb. 3** und Anleitung für jedes Zubehör. In der **Tabelle B** sind neben den Spezifikationen zur Durchführung der elektrischen Anschlüsse alle Zubehörteile aufgeführt, die an die Klemmen der Steuerung angeschlossen werden können. Vor den weiteren Maßnahmen die Tabelle und ihre Hinweise aufmerksam lesen. **Hinweis** – Gewisse Eingänge bieten verschiedene Anschlussfunktionen für das Zubehör. Daher ist es nach den Anschlüssen nötig, die Dip-Schalter an das angeschlossene Zubehör anzupassen (siehe Kapitel 5— Programmierung).

**Tabelle B** – Funktionen der Klemmen (Eingänge und Ausgänge)

Klemmen	Beschreibung der Funktion
1 - 2	<b>Ausgang</b> für eine Blinkanzeige mit der vorgesehenen Netzspannung.
3 - 4 - 5	<b>Ausgang</b> für die Motorsteuerung (Öffnen, Allgemein, Schließen).
6 - 7	<b>Eingang</b> für die vom Stromnetz stammende Versorgungsleitung (Phasenleiter, Neutralleiter).
8	Bezug auf 0 Volt für den Leiter „Allgemein“ der Vorrichtungen, die an die Klemmen <b>9, 10, 11, 12</b> und <b>13</b> angeschlossen sind.
9	<b>Ausgang 24 V.</b> Ausgang für die Verbraucher (z. B. Fotozellen) mit 24-V===-Versorgung (Niederspannung): maximale Stromaufnahme: 100 mA.
10	<b>Ausgang Photo-Test.</b> 24-V===-Ausgang für eine Sende-Fotozelle (TX) oder „Kontrollleuchte Tür offen“. Maximale Stromaufnahme: 50 mA.
11	<b>Eingang Stop.</b> Eingang für Sicherheitseinrichtungen mit konstantem Widerstand 8,2k $\Omega$ (Schaltleiste usw.).
12	<b>Eingang SbS.</b> Eingang für eine NO-Taste (normalerweise offen) zur Sendung von Befehlen im Modus „Schrittbetrieb“.
13	<b>Eingang Photo.</b> Eingang für eine Empfangs-Fotozelle (RX) mit dem Status normalerweise geschlossen (NG) oder eine NO-Taste (normalerweise offen).
14 - 15	<b>Eingang</b> für eine Funkempfangsantenne.

## 4.5 - Verwaltung des Ausganges „Photo-Test“ und der Eingänge „Stop“, „SbS“, „Photo“

### 4.5.1 - Ausgang Photo-Test (Klemme 10)

Dieser Ausgang muss je nach angeschlossener Vorrichtung mit dem Programmierungs-Dip-Schalter **7** konfiguriert werden: Wird eine Sende-Fotozelle (TX) angeschlossen, den Dip-Schalter auf ON setzen; wird eine „Kontrollleuchte Tür offen“ angeschlossen, hingegen auf OFF.

**HINWEISE** • Im Falle des Anschlusses einer „Kontrollleuchte Tür offen“ muss die Fotozelle TX an die Klemme **9** angeschlossen werden. • Bedeutung der Meldungen der „Kontrollleuchte Tür offen“:

Kontrollleuchte ausgeschaltet = Tür geschlossen; Kontrollleuchte eingeschaltet = Tür offen; Blinklicht langsam = Tür wird geöffnet; Blinklicht schnell = Tür wird geschlossen.

#### 4.5.2 - Eingang Stop (Klemme 11)

Dieser Eingang muss je nach angeschlossener Vorrichtung mit dem Programmierungs-Dip-Schalter **1 - 2** konfiguriert werden: Kontakte normalerweise geschlossen (NG), Kontakte normalerweise offen (NO) oder Kontakte mit konstantem Widerstand (8,2k $\Omega$ ). **Achtung!** - Nur die Verwendung eines Kontakts mit konstantem Widerstand gewährleistet zusammen mit der Einstellung OFF+OFF der Dip-Schalter **1 - 2** einen minimalen Störungswiderstand im Sinne der Vorschriften. Normalerweise bewirkt das Ansprechen der Vorrichtung, die an den Eingang „Stop“ angeschlossen ist, den unverzüglichen Stillstand des Motors nach einer kurzen Richtungsumkehrung (auswählbar über Dip-Schalter **3**). Die Richtungsumkehrung beim Ansprechen der Sicherheitseinrichtung (z. B. wenn die Schalleiste den Boden berührt) kann deaktiviert werden, indem der Kontakt „S“ (mit einem serienmäßig vorgesehenen Widerstand von 8,2k $\Omega$ ) parallel an die Schalleiste angeschlossen wird (siehe **Abb. 4**). Den Kontakt „S“ so ausrichten, dass er sich im Rahmen der letzten 30/40 mm des Schließvorgangs und vor dem Ansprechen der Schalleiste schließt. Auf diese Weise wird die Automatisierung gesperrt, sobald sich der Kontakt „S“ schließt und die Schalleiste anspricht (z. B. am Boden), ohne die Richtung umzukehren, sodass die Tür komplett geschlossen bleibt. In diesem Status ermöglicht das System nur die Öffnungssteuerung.

Der Status des Eingangs Stop wird über die Led „Stop“ angezeigt. Für die Bedeutung der jeweiligen Meldungen siehe **Tabelle C**.

**Tabelle C** - Status des Eingangs „STOP“ mit Anzeige über die jeweilige Led

Anzeige der Led „Stop“	Bedeutung (Status des Eingangs Stop)
Eingeschaltet	Aktiv (Vorgang freigegeben)
Ausgeschaltet	Nicht aktiv (Vorgang verweigert)
50 % eingeschaltet + 50 % ausgeschaltet	Umkehrung deaktiviert
20 % eingeschaltet + 80 % ausgeschaltet	Nicht aktiv, mit deaktivierter Umkehrung (nur für Öffnung erlaubt)

#### 4.5.3 - Eingang SbS (Klemme 12)

Bei jedem Drücken der Taste, die an diesen Eingang angeschlossen ist, führt das System den Befehl aus, der auf den zuletzt gesendeten Befehl folgt, und zwar auf der Grundlage einer werkseitig eingestellten Reihenfolge, die über den Dip-Schalter 5 programmiert werden kann (z. B. > Öffnen > Stop > Schließen > Stop > Neu beginnen...). Wird die Befehlstaste gedrückt gehalten (4 bis 10 Sekunden), leitet das System immer eine Öffnung ein. Wenn sie länger als 10 Sekunden gedrückt wird, immer eine Schließung. Diese besondere Funktion kann sich dann als nützlich erweisen, wenn mehrere Steuerungen vorhanden sind und neben einer zeitgleichen Steuerung auch eine identische Bewegung gewünscht wird – unabhängig vom Status der einzelnen Steuerungen.

#### 4.5.4 - Eingang Photo (Klemme 13)

Dieser Eingang muss je nach angeschlossener Vorrichtung mit dem Programmierungs-Dip-Schalter **4** konfiguriert werden: Wird eine Empfangs-Fotozelle TX (normalerweise geschlossen – NG) angeschlossen, den Dip-Schalter auf OFF setzen; wird hingegen eine NO-Taste (normalerweise offen) angeschlossen, auf ON. **Hinweis** – Wird eine Empfangs-Fotozelle RX (normalerweise geschlossen – NG) angeschlossen, ist bei einer fehlenden Freigabe nur eine Öffnung möglich.

## 5 PROGRAMMIERUNG

**WICHTIG! - Die Steuerung nach Abschluss aller Verbindungen mit Spannung versorgen und die Programmierungen je nach den angeschlossenen Vorrichtungen und den zu aktivierenden/deaktivierenden Funktionen über die acht Dip-Schalter an der Platine vornehmen. Für die Programmierungen siehe Tabelle D.**

**Tabelle D – Einstellung der DIP-Schalter**

Dip-Schalter	Einstellung	Beschreibung der eingestellten Funktion
Schalter 1 – 2	(1) <b>OFF</b> ; (2) <b>OFF</b>	Aktiviert den Eingang „Stop“ beim Anschluss eines Kontakts mit konstantem Widerstand 8,2kΩ, <u>ohne die Taste „S“</u> , die die Umkehrung ausschließt (siehe <b>Abb. 4</b> )
	(1) <b>OFF</b> ; (2) <b>ON</b>	Aktiviert den Eingang „Stop“ beim Anschluss eines Kontakts mit konstantem Widerstand 8,2kΩ, <u>mit der Taste „S“</u> , die 30/40 mm vor dem Endanschlag anspricht, <u>um die Umkehrung auszuschließen</u> (siehe <b>Abb. 4</b> )
	(1) <b>ON</b> ; (2) <b>OFF</b>	Aktiviert den Eingang „Stop“ beim Anschluss eines Kontakts NO (normalerweise offen)
	(1) <b>ON</b> ; (2) <b>ON</b>	Aktiviert den Eingang „Stop“ beim Anschluss eines Kontakts NG (normalerweise geschlossen)
Schalter 3	<b>OFF</b>	Aktiviert den Eingang „Stop“ zum Abbruch des laufenden Vorgangs und Durchführung <u>einer kurzen Bewegungsumkehrung</u>
	<b>ON</b>	Aktiviert den Eingang „Stop“ zum Abbruch des laufenden Vorgangs
Schalter 4	<b>OFF</b>	Aktiviert den Eingang „Photo“ beim Anschluss der Fotozellen
	<b>ON</b>	Aktiviert den Eingang „Photo“, der dadurch als Schließbefehl fungiert
Schalter 5	<b>OFF</b>	Aktiviert die folgenden zyklischen Befehle des Typs Schrittbetrieb: > Öffnen > Stop > Schließen > Stop > (Neu beginnen...)
	<b>ON</b>	Aktiviert die folgenden zyklischen Befehle des Typs Schrittbetrieb: > Öffnen > Stop > (Neu beginnen...)
Schalter 6	<b>OFF</b>	Deaktiviert die Funktion Wohnblockbetrieb
	<b>ON</b>	Aktiviert die Funktion Wohnblockbetrieb
Schalter 7	<b>OFF</b>	Aktiviert die Funktion „Kontrolleuchte Tür offen“
	<b>ON</b>	Aktiviert die Funktion „Photo-Test“
Schalter 8	<b>OFF</b>	Deaktiviert die „Pausezeit“ für die automatische Wiederverschließung der Tür nach einem Öffnungsbefehl
	<b>ON</b>	Aktiviert die „Pausezeit“ für die automatische Wiederverschließung der Tür nach einem Öffnungsbefehl

## 5.1 - Detaillierte Beschreibung einiger programmierbarer Funktionen und Optionen

### 5.1.1 - Dip-Schalter 1 und 2 (für Eingang Stop)

Diese Dip-Schalter dienen zur Programmierung des Eingangs Stop auf der Grundlage der Art der Sicherheitseinrichtung, die daran angeschlossen ist:

- Kontakt mit konstantem Widerstand 8,2k $\Omega$  und Umkehrung.
- Kontakt mit konstantem Widerstand 8,2k $\Omega$  ohne Umkehrung.
- Kontakt NO (normalerweise offen).
- Kontakt NG (normalerweise geschlossen).

### 5.1.2 - Dip-Schalter 5 (für Eingang SbS)

Programmierung des Eingangs SbS mit der Befehlssequenz „Schrittbetrieb“: > **Öffnen** > **Stop** > **(Neu beginnen...)**, d. h., wenn sich der Dip-Schalter 5 auf ON befindet, ist es während der Nutzung der Automatisierung möglich, die Türschließung zu steuern. Dieser Befehl kann nur über einen Funksender festgelegt werden, oder wenn die automatische Wiederverschließung (Dip-Schalter 8 auf ON) programmiert wird.

### 5.1.3 - Dip-Schalter 6

- **Während einer Öffnung:** Ist die Funktion Wohnblockbetrieb aktiviert (Dip-Schalter 6 auf ON), wird verhindert, dass die Erteilung des Befehls „Öffnen“ oder „Schrittbetrieb“ den Vorgang stoppt oder umkehrt, bevor er durch das Erreichen des Endschalters abgeschlossen ist.
- **Während einer Schließung:** Ist die Funktion Wohnblockbetrieb aktiviert (Dip-Schalter 6 auf ON), wird der Vorgang durch die Erteilung des Befehls „Öffnen“ oder „Schrittbetrieb“ gestoppt und umgekehrt, sodass sich die Tür wieder öffnet.

## 5.2 - Speicherung der Einstellungen der Dip-Schalter

Nachdem alle Dip-Schalter konfiguriert sind (später dann bei jeder Änderung der Einstellungen von mindestens einem Dip-Schalter) müssen die vorgenommenen Einstellungen in der Steuerung gespeichert werden. Hierzu folgenderweise vorgehen: Sobald die **Led „OK“** auf Blinklicht schaltet (Farbe Grün/Rot), bedeutet dies, dass mindestens ein Dip-Schalter anders angeordnet wurde. Die neue Einstellung speichern, indem die **Taste T1** der Steuerung solange gedrückt gehalten wird, bis die **Led „OK“** auf Dauerlicht schaltet (Farbe Grün). Die Taste dann wieder loslassen.

## 5.3 - Programmierung der „Betriebszeit“ des Motors und der „Pausezeit“ für die automatische Wiederverschließung

Die „Arbeitszeit“ und „Pausezeit“ sind zwei Basisparameter der Steuerung, die anhand derselben Vorgehensweise in Reihenfolge programmiert werden. Dies ist jedoch erst möglich, nachdem alle Dip-Schalter eingestellt und gespeichert sind.

- **Was ist eine „Betriebszeit“?** Dies ist die maximale Zeit, in der die Steuerung den Motor ab der Aussendung eines Befehls speist. Der besagte Zeitraum muss es dem Motor ermöglichen, die Bewegung abzuschließen (Erreichen des Endschalters). Werkseinstellung (oder nach dem

vollständigen Löschen des Speichers): 120 Sekunden. Dieser Wert kann auch individuell konfiguriert werden (mindestens 5 Sek. bis höchstens 120 Sek.). Der Vorgang sieht die selbstlernende Messung der Zeit vor, die der Motor für den Abschluss der Bewegung benötigt. Daher muss jene Bewegung gemessen werden, die den Motor am meisten beansprucht (die langsamste Bewegung). Dies ist normalerweise der Anlauf ab dem Endschalter. **Achtung!** - Es wird empfohlen, die Zeit für den Abschluss der Bewegung etwas zu verlängern (um ein paar Sekunden).

• **Was ist eine „Pausezeit“?** Dies ist die Zeit, in der die Steuerung nach der Erteilung des Öffnungsbefehls vor der automatischen Wiederverschließung der Tür wartet (Funktion: automatische Wiederverschließung). Die Pausezeit kann von 5 Sekunden bis höchstens 120 Sekunde festgelegt werden. Es ist auch möglich, die Pausezeit zu deaktivieren. Dies ist nötig, um die automatische Wiedererschließung zu deaktivieren.

### Speicherung der „Betriebszeit“ und der „Pausezeit“

01. Die Tür am unteren Endschalter **positionieren**.
02. Die Taste **T1** an der Steuerung gedrückt halten; Ab dem Start der Bewegung in Richtung des **oberen** Schalters 5 Sekunden zählen. Nach dem Intervall von 5 Sekunden beginnt die Steuerung, die Dauer der Bewegung zu speichern;
03. Die Taste **T1** weiterhin gedrückt halten und so lange warten, bis der **obere** Endschalter erreicht ist. Die Taste noch einige Sekunden gedrückt halten und dann loslassen. Der Motor stoppt und die Steuerung speichert die neue **Betriebszeit**, die soeben gemessen wurde.
04. 2 Sekunden nach dem Stopp des Motors die Taste **T1** an der Steuerung gedrückt halten. Ab diesem Zeitpunkt wird die **Pausezeit** gemessen.
05. Die Taste **T1** nach dem gewünschten Intervall (höchstens 120 Sekunden) loslassen. Die Steuerung erteilt dem Motor den Befehl **„Herunterfahren“** und speichert gleichzeitig die **soeben gemessene Zeit**. Diese Zeit wird zu einem späteren Zeitpunkt für die automatische Wiederverschließung der Tür verwendet.

**WICHTIGER HINWEIS** – Die programmierte Pausezeit kommt nur zur Anwendung, wenn sich der Dip-Schalter 8 auf ON befindet.

### Änderung der „Betriebszeit“ und der „Pausezeit“

01. Soll nur die „Betriebszeit“ abgeändert werden, den Vorgang von Anfang an bis zum Schritt 4 wiederholen.

### Deaktivierung der „Pausezeit“

01. Soll die automatische Wiederverschließung deaktiviert, d. h. die „Pausezeit“ ausgeschlossen werden, den Vorgang von Anfang an bis zum Schritt 4 wiederholen. Die automatische Wiederverschließung lässt sich auch deaktivieren, indem der Dip-Schalter 8 auf OFF gesetzt wird.

## 5.4 - Speicherung der Sender

Der integrierte Funkempfänger der Steuerung unterstützt alle Sender, die Protokolle mit den Funkcodes **FLOR**, **O-CODE** oder **SMILO** nutzen (Standards von Nice).

### 5.4.1 - Zwei Speicheroptionen für die Sendertasten

Einige Vorgänge zur Speicherung der Sender bieten unter anderem den Modus „Standard“ (bzw. Modus 1) und den Modus „Personalisiert“ (bzw. Modus 2).

- **Speicherung im Modus STANDARD (bzw. „Modus 1“)**

In diesem Modus werden alle Tasten des Senders während ihrer Ausführung gleichzeitig gespeichert. Das System teilt jeder Taste einen werkseitig konfigurierten Befehl im Rahmen des folgenden Schemas zu:

Befehl	Taste
<b>Nr. 1 - Hochfahren</b>	wird zugeteilt: <b>1. Taste / Taste 1 / Taste ▲</b>
<b>Nr. 2 - Stop</b>	wird zugeteilt: <b>2. Taste / Taste 2 / Taste ■</b>
<b>Nr. 3 - Herunterfahren</b>	wird zugeteilt: <b>3. Taste / Taste 3 / Taste ▼</b>
<b>Nr. 4 - Schrittbetrieb</b>	wird zugeteilt: <b>4. Taste / Taste 4</b> (wenn diese Taste am Sender vorhanden ist).
<b>Hinweis</b> - Normalerweise sind die Tasten an den Sendern anhand von Symbolen oder Nummern gekennzeichnet. Wenn der Sender mit diesen Tasten bestückt ist, sich für die Ermittlung der 1. bzw. 2. Taste auf die <b>Abb. 5</b> beziehen.	

- **Speicherung Modus PERSONALISIERT (bzw. „Modus 2“)**

Diese Option ermöglicht es während der Ausführung, eine einzelne Taste des Senders zu speichern, indem sie einem der folgenden Befehle zugeteilt wird: **Hochfahren**, **Stop**, **Herunterfahren**, **Schrittbetrieb**.

Der Installationstechniker wird die Taste und den entsprechenden Befehl auf der Grundlage der Anforderungen der Automatisierung festlegen.

### 5.4.2 - Anzahl der speicherbaren Sender

Der Empfänger der Steuerung verfügt über **192 Speicherplätze**. Ein Speicherplatz kann alternativ einen einzelnen Sender speichern (d. h. die Kombination seiner Tasten und Befehle), oder eine einzelne Taste mit dem entsprechenden Befehl.

## — VORGÄNGE —

**ACHTUNG!** - Die Steuerung muss zur Durchführung der Vorgänge A, B, C, D, F entsperrt sein. Die Entsperrung wird anhand des Vorgangs G vorgenommen.

## VORGANG A – Speicherung ALLER Tasten eines einzelnen Senders (Modus STANDARD bzw. Modus 1)

01.	An der Steuerung: Die <b>Taste T2</b> so lange gedrückt halten, bis sich die <b>Led „Funk“</b> einschaltet.
02.	(innerhalb von 10 Sekunden) <u>Am Sender, der gespeichert werden soll:</u> Eine beliebige Taste gedrückt halten und abwarten, bis die <b>Led „Funk“ 3(*)</b> lange Blinksequenzen durchgeführt hat (= korrekte Ausführung der Speicherung). Dann die Taste wieder loslassen.
03.	<b>Hinweis</b> - Nach den 3 Blinksequenzen stehen weitere 10 Sekunden zur Verfügung, um ggf. einen weiteren Sender zu speichern, beginnend bei Schritt 02.

Am Ende des Vorgangs sind die Tasten des Senders dem Befehl zugeteilt, der in der Beschreibung des Modus 1 (Abschnitt 5.4.1) aufgeführt ist.

## VORGANG B - Speicherung einer EINZELNEN TASTE des Senders (Modus PERSONALISIERT bzw. Modus 2)

01.	In der folgenden Tabelle den Befehl für die zu speichernde Taste auswählen.										
	<table border="1"><thead><tr><th>Befehl auswählen</th><th>Speicherung des Befehls... (Schritt 02)</th></tr></thead><tbody><tr><td><b>Nr. 1 - Hochfahren</b></td><td>...Taste T2 <b>1 Mal</b> drücken.</td></tr><tr><td><b>Nr. 2 - Stop</b></td><td>...Taste T2 <b>2 Mal</b> drücken.</td></tr><tr><td><b>Nr. 3 - Herunterfahren</b></td><td>...Taste T2 <b>3 Mal</b> drücken.</td></tr><tr><td><b>Nr. 4 - Schrittbetrieb</b></td><td>...Taste T2 <b>4 Mal</b> drücken.</td></tr></tbody></table>	Befehl auswählen	Speicherung des Befehls... (Schritt 02)	<b>Nr. 1 - Hochfahren</b>	...Taste T2 <b>1 Mal</b> drücken.	<b>Nr. 2 - Stop</b>	...Taste T2 <b>2 Mal</b> drücken.	<b>Nr. 3 - Herunterfahren</b>	...Taste T2 <b>3 Mal</b> drücken.	<b>Nr. 4 - Schrittbetrieb</b>	...Taste T2 <b>4 Mal</b> drücken.
Befehl auswählen	Speicherung des Befehls... (Schritt 02)										
<b>Nr. 1 - Hochfahren</b>	...Taste T2 <b>1 Mal</b> drücken.										
<b>Nr. 2 - Stop</b>	...Taste T2 <b>2 Mal</b> drücken.										
<b>Nr. 3 - Herunterfahren</b>	...Taste T2 <b>3 Mal</b> drücken.										
<b>Nr. 4 - Schrittbetrieb</b>	...Taste T2 <b>4 Mal</b> drücken.										
02.	<u>An der Steuerung:</u> Mehrere Male die <b>Taste T2</b> drücken und loslassen (siehe auch Anweisung zum jeweiligen Befehl in der obigen Tabelle).										
03.	(innerhalb von 10 Sekunden) <u>Am Sender:</u> Die zu speichernde Taste gedrückt halten und abwarten, bis die <b>Led „Funk“ 3(*)</b> lange Blinksequenzen durchgeführt hat (= korrekte Ausführung der Speicherung). Dann die Taste wieder loslassen.										
04.	<b>Hinweis</b> - Nach den 3 Blinksequenzen stehen weitere 10 Sekunden zur Verfügung, um ggf. eine weitere Taste zu speichern, beginnend bei Schritt 01.										
<b>(*) - Hinweise zu den Vorgängen A und B:</b> Die Led „Funk“ kann auch die folgenden Meldungen aussenden: <ul style="list-style-type: none"><li>- <b>1 schnelles Blinksignal</b>, wenn der Sender bereits gespeichert ist.</li><li>- <b>6 Blinksignale</b>, wenn der Funkcode des Senders nicht mit jenem des Senders der Steuerung kompatibel ist.</li><li>- <b>8 Blinksignale</b>, wenn der Speicher voll ist.</li></ul>											

## **VORGANG C – Speicherung eines Senders anhand eines anderen, bereits gespeicherten Senders (Fernspeicherung über Steuerung)**

Mit diesem Vorgang kann ein neuer Sender anhand eines zweiten Senders gespeichert werden, der in derselben Steuerung bereits gespeichert ist. Dadurch kann der neue Sender die Einstellungen des bereits gespeicherten Senders eins zu eins übernehmen. Dieser Vorgang sieht keine direkte Betätigung der Taste T2 der Steuerung vor, sondern erfolgt innerhalb seines Empfangsbereichs.

<b>01.</b>	<b>Am zu speichernden</b> Sender: Die zu speichernde Taste gedrückt halten.
<b>02.</b>	An der Steuerung: Nach einigen Sekunden (ca. 5) schaltet sich die <b>Led „Funk“</b> ein. Die Taste des Senders loslassen.
<b>03.</b>	<b>Am bereits gespeicherten</b> Sender: Die gespeicherte und zu kopierende Taste <b>3 Mal</b> drücken und loslassen.
<b>04.</b>	<b>Am zu speichernden</b> Sender: Die gemäß Punkt 01 gedrückte Taste <b>1 Mal</b> drücken.

## **VORGANG D - Löschen eines einzelnen Senders (wenn im Modus 1 gespeichert) oder einer einzelnen Taste des Senders (wenn im Modus 2 gespeichert)**

<b>01.</b>	An der Steuerung: Die <b>Taste T2</b> gedrückt halten. – Nach ca. 4 Sekunden schaltet die <b>Led „Funk“</b> auf Dauerlicht (die Taste weiterhin gedrückt halten).
<b>02.</b>	Am Sender, der vom Speicher gelöscht werden soll: Die Taste(*) solange gedrückt halten, bis die <b>Led „Funk“</b> (an der Steuerung) 5 schnelle Blinksignale aussendet (oder 1 Blinksignal, wenn der Sender oder die Taste nicht gespeichert sind).
<b>(*) Hinweis</b> – Ist der Sender im <u>Modus 1</u> gespeichert, kann eine beliebige Taste gedrückt werden, sodass die Steuerung den gesamten Sender löscht. Ist der Sender im <u>Modus 2</u> gespeichert, muss die gespeicherte und zu löschende Taste gedrückt werden. Zur Löschung weiterer im <u>Modus 2</u> gespeicherter Tasten, den gesamten Vorgang für jede zu löschende Taste wiederholen.	

## **VORGANG E - Löschen ALLER gespeicherten Sender**

<b>01.</b>	An der Steuerung: Die <b>Taste „Funk“</b> gedrückt halten. – Nach ca. 4 Sekunden schaltet die <b>Led „Funk“</b> auf Dauerlicht (die Taste weiterhin gedrückt halten). – Nach ca. 4 Sekunden schaltet sich die <b>Led „Funk“</b> aus (die Taste weiterhin gedrückt halten).
<b>02.</b>	Sobald die <b>Led „Funk“</b> auf Blinklicht schaltet, 2 Blinksignale zählen und die Taste <b>exakt während des 3. Blinksignals</b> loslassen.
<b>03.</b>	Die <b>Led „Funk“</b> sendet während des Löschvorgangs ein schnelles Blinksignal aus.



**04.** Die **Led „Funk“** sendet abschließend 5 Blinksignale aus, was besagt, dass der Löschvorgang erfolgreich durchgeführt wurde.

## **VORGANG F-- Löschung des GESAMTEN Speichers und Wiederherstellung der Werkseinstellungen**

- |            |  |
|------------|--|
| <b>01.</b> | An der Steuerung: Die <b>Taste „Funk“</b> gedrückt halten.<br>– Nach ca. 4 Sekunden schaltet die <b>Led „Funk“</b> auf Dauerlicht (die Taste weiterhin gedrückt halten).<br>– Nach ca. 4 Sekunden schaltet sich die <b>Led „Funk“</b> aus (die Taste weiterhin gedrückt halten). |
| <b>02.</b> | Sobald die <b>Led „Funk“</b> auf Blinklicht schaltet, 4 Blinksignale zählen und die Taste <b>exakt während des 5. Blinksignals</b> loslassen.  |
| <b>03.</b> | Die <b>Led „Funk“</b> sendet während des Löschvorgangs ein schnelles Blinksignal aus.  |
| <b>04.</b> | Die <b>Led „Funk“</b> sendet abschließend 5 Blinksignale aus, was besagt, dass der Löschvorgang erfolgreich durchgeführt wurde.  |

## **VORGANG G - Sperrung (oder Entsperrung) des Speichers**

**ACHTUNG!** - Der hier beschriebene Schritt sperrt die Ausführung der Vorgänge **A, B, C, D, F**.

- |            |   |
|------------|---|
| <b>01.</b> | Die Stromversorgung der Steuerung trennen.  |
| <b>02.</b> | An der Steuerung: Die <b>Taste „Funk“</b> gedrückt halten. Die Steuerung danach wieder an die Stromversorgung anschließen (die Taste weiterhin gedrückt halten).  |
| <b>03.</b> | Nach 5 Sekunden sendet die <b>Led „Funk“</b> 2 langsame Blinksignale aus. Die Taste an dieser Stelle loslassen.   |
| <b>04.</b> | (innerhalb von 5 Sekunden) An der Steuerung: Die <b>Taste „Funk“</b> wiederholt drücken, um eine der folgenden Optionen auszuwählen: <ul style="list-style-type: none"><li>• <u>Led ausgeschaltet</u> = <u>Entsperrung</u> der Speicherung.</li><li>• <u>Led eingeschaltet</u> = <u>Sperrung</u> der Speicherung.</li></ul> |
| <b>05.</b> | 5 Sekunden nach dem ersten Tastendruck sendet die <b>Led „Funk“</b> 2 Blinksignale aus und melden damit, dass der Vorgang abgeschlossen ist.  |

## 6 ABNAHMEPRÜFUNG UND INBETRIEBNAHME

Dies sind die wichtigsten Phasen bei der Verwirklichung der Anlage, die eine maximale Sicherheit der Anlage gewährleisten. Sie müssen von erfahrenem Fachpersonal ausgeführt werden, das die erforderlichen Tests zur Prüfung der angewendeten Lösungen je nach vorhandenem Risiko festzulegen und die Einhaltung der von Gesetzen, Bestimmungen und Verordnungen auferlegten Vorschriften zu überprüfen hat: insbesondere alle Anforderungen der Normen EN 13241, EN 12445 und EN 12453. Zusatzausrüstungen müssen hinsichtlich ihrer Funktionalität und ihres ordnungsgemäßen Zusammenwirkens mit der Steuerung MC200 einer speziellen Abnahmeprüfung unterzogen werden. Siehe Anleitung zu den einzelnen Vorrichtungen.

### 6.1 - Abnahmeprüfung

Die Abnahmeprüfung kann auch dazu verwendet werden, in regelmäßigen Abständen eine Funktionsprüfung der einzelnen Antriebskomponenten durchzuführen. Für jedes einzelne Element des Antriebs wie Schaltleisten, Fotozellen, Blinkleuchten usw. ist eine spezielle Abnahmeprüfung erforderlich. Für diese Vorrichtungen die in den jeweiligen Anleitungen beschriebenen Verfahren ausführen. Die Abnahme wie folgt ausüben:

<b>01.</b>	Sicherstellen, dass alle Anweisungen des Kapitels HINWEISE genauestens eingehalten wurden
<b>02.</b>	Die Tür über die Steuertaste oder den Sender mehrmals öffnen und schließen. Während der Bewegungen sicherstellen, dass <b>a)</b> die Fotozellen (sofern vorhanden) während der Schließung ansprechen; <b>b)</b> die Schaltleiste (sofern vorhanden) im Rahmen des eingestellten Modus anspricht; <b>c)</b> die automatische Wiederverschließung der Tür (sofern programmiert) in Schließrichtung erfolgt. Sind die beschriebenen Prüfungen fehlgeschlagen, sicherstellen, dass keine Fehler der elektrischen Anschlüsse vorliegen. Siehe im Besonderen auf den Abschnitt 4.3 beziehen.
<b>03.</b>	Mehrere Tests ausführen, um das Gleiten des Tors zu bewerten, indem mögliche Montage- oder Einstellfehler sowie eventuell vorhandene Reibungspunkte geprüft werden.
<b>04.</b>	Den korrekten Betrieb aller Sicherheitsvorrichtungen der Anlage (Fotozellen, Schaltleisten usw.) überprüfen.
<b>05.</b>	Die Funktionsweise der Fotozellen (sofern vorhanden) und mögliche Interferenzen mit anderen Vorrichtungen überprüfen: 1 - Einen Zylinder (Durchmesser von 5 cm und Länge von 30 cm) zwischen einem Fotozellenpaar durchführen, zunächst neben der TX, dann neben der RX, sodass die optische Achse unterbrochen wird, durch die sie virtuell verbunden sind; 2 - Sicherstellen, dass das Ansprechen in der Steuerung den vorgesehenen Vorgang auslöst (z. B. die Bewegungsumkehrung beim Schließen).

## 6.2 - Inbetriebnahme

Die Inbetriebnahme darf erst erfolgen, wenn alle Phasen der Abnahmeprüfung erfolgreich abgeschlossen sind (Absatz 6.1). Eine teilweise oder vorübergehende Inbetriebnahme ist unzulässig.

01.	Die technischen Unterlagen der Automatisierung an einem selben Ort mindestens 10 Jahre lang aufbewahren. Die Unterlagen müssen enthalten: Gesamtzeichnung der Automatisierung, Schaltplan, Risikoanalyse und jeweils angewendete Lösungen, Konformitätserklärung des Herstellers für alle verwendeten Vorrichtungen (für die Steuerung MC200 die beiliegende EU-Konformitätserklärung verwenden) sowie eine Kopie der Bedienungsanleitung und des Wartungsplans der Automatisierung.
02.	Die Konformitätserklärung des Antriebs ausfüllen und dem Eigentümer aushändigen.
03.	Dem Inhaber der Automatisierung auch die Bedienungsanleitung (herausnehmbares Beiblatt, das der Anleitung zur Automation beiliegt) aushändigen.
04.	Den Wartungsplan verfassen und dem Eigentümer des Antriebs aushändigen.
05.	Den Eigentümer vor der Inbetriebnahme des Antriebs angemessen und in Schriftform über die noch vorhandenen Gefahren und Risiken informieren

## 7 ENTSORGUNG DES PRODUKTS

**Dieses Produkt ist integraler Bestandteil des Torantriebs und muss daher zusammen mit diesem entsorgt werden.**

Wie schon die Installation muss auch die Zerlegung des Produkts am Ende seiner Nutzungsdauer von Fachpersonal ausgeführt werden. Dieses Produkt besteht aus verschiedenen Materialien: einige können recycelt werden, andere müssen entsorgt werden. Informieren Sie sich über die Recycling- oder Entsorgungsmöglichkeiten, die in Ihrer Region gemäß den geltenden Vorschriften für dieses Produkt vorgesehen sind.

**⚠ ACHTUNG! - Bestimmte Teile des Produkts enthalten evtl. Schadstoffe oder gefährliche Substanzen, die schädliche Auswirkungen auf Umwelt und Gesundheit haben können, wenn sie in die Umwelt gelangen.**



Das nebenstehende Symbol weist darauf hin, dass es verboten ist, dieses Produkt über den Hausmüll zu entsorgen. Halten Sie die Vorgaben zur Mülltrennung ein, die in Ihrem Land bzw. in Ihrer Region vorgeschrieben sind, oder geben Sie das Produkt an den Verkäufer zurück, wenn Sie ein vergleichbares neues Produkt kaufen.

**⚠ ACHTUNG! - Die gesetzlichen Vorschriften sehen für den Fall einer widerrechtlichen Entsorgung dieses Produkts unter Umständen schwere Strafen vor.**

## 8 TECHNISCHE MERKMALE

⚠ Alle technischen Merkmale beziehen sich auf eine Umgebungstemperatur von 20 °C ( $\pm 5$  °C). • Nice S.p.A. behält sich das Recht vor, das Produkt jederzeit nach eigenem Ermessen zu ändern, wobei die vorgesehenen Funktionen und der Bestimmungszweck beibehalten werden.

### STEUERGERÄT MC200

<b>Stromversorgung:</b>	von: 120 V $\sim$ 50/60 Hz bis: 230 V $\sim$ 50/60 Hz
<b>Max. Leistung Motor:</b>	450 W (bei Versorgung mit 120 V); 950 W (bei Versorgung mit 230 V)
<b>Spannung Befehlssignale:</b>	ca. 24 V $\text{---}$
<b>Verbraucher (Klemmen 8 und 9):</b>	Spannung ca. 24 V $\text{---}$ ; Strom max. 100 mA
<b>Sicherheitseingang:</b>	muss sich bei einer Konfiguration mit konstantem Widerstand auf 8,2k $\Omega$ belaufen
<b>Betriebstemperatur:</b>	-20 °C ... +55 °C
<b>Abmessungen (mm):</b>	118 x 52 x 147
<b>Gewicht (g):</b>	300
<b>Schutzart IP:</b>	44

### FUNKEMPFÄNGER (in der Steuerung integriert)

<b>Frequenz:</b>	433,92 MHz
<b>Funkcode:</b>	FLOR, O-CODE, SMILO

# EU-Konformitätserklärung (Nr. 629/MC200) und Erklärung für den Einbau einer „unvollständigen Maschine“

**Hinweis:** Der Inhalt dieser Erklärung stimmt mit den Angaben in dem am Geschäftssitz der Nice S.p.A. hinterlegten Dokument in seiner jüngsten, vor der Drucklegung dieses Handbuchs verfügbaren Fassung überein. Dieser Text wurde aus redaktionellen Gründen angepasst. Eine Kopie der Originalerklärung kann bei Nice S.p.A. (TV) Italy.

**Revision: 0; Sprache: DE**

- **Produktbezeichnung:** Nice S.p.A.
- **Anschrift:** Via Pezza Alta 13, 31046 Rustignè, Oderzo (TV) Italy
- **Für die Zusammenstellung der technischen Dokumentation autorisierte Person:** Nice S.p.A. - Via Pezza Alta 13, 31046 Rustignè, Oderzo (TV) Italy
- **Produkttyp:** Steuerung für 1 Motor 230 V~
- **Modell / Typ:** MC200
- **Zubehör:** Funksteuerung Serie FLOR, O-CODE, SMIL0

Der Unterzeichner Roberto Griffa erklärt hiermit eigenverantwortlich in seiner Funktion als Chief Executive Officer, dass das oben genannte Produkt die Bestimmungen der folgenden Richtlinien erfüllt:

- **Richtlinie 2014/53/EU (RED)**
  - Schutz der Gesundheit (Art. 3(1)(a)): EN 62479:2010
  - Elektrische Sicherheit (Art. 3(1)(a)): EN 60950-1:2006 + A11:2009 + A12:2011 + A1:2010 + A2:2013
  - Elektromagnetische Verträglichkeit (Art. 3(1)(b)):  
EN 301 489-1 V2.2.0:2017; EN 301 489-3 V2.1.1:2017
  - Funkspektrum (Art. 3(2)): EN 300 220-2 V3.1.1:2017

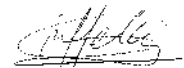
Außerdem entspricht das Produkt im Sinne der Anforderungen an „unvollständige Maschinen“ (Anhang II, Teil 1, Abschnitt B) folgender Richtlinie:

- **Richtlinie 2006/42/EG** DES EUROPÄISCHEN PARLAMENTS UND DES RATS vom 17. Mai 2006 über Maschinen zur Änderung der Richtlinie 95/16/EG (Überarbeitung).
  - Der Hersteller erklärt hiermit, dass die einschlägige technische Dokumentation übereinstimmend zum Anhang VII B der Richtlinie 2006/42/EG verfasst wurde und folgende grundlegende Anforderungen erfüllt sind: 1.1.1 - 1.1.2 - 1.1.3 - 1.2.1 - 1.2.6 - 1.5.1 - 1.5.2 - 1.5.5 - 1.5.6 - 1.5.7 - 1.5.8 - 1.5.10 - 1.5.11
  - Der Hersteller verpflichtet sich, den zuständigen Stellen der einzelnen Länder bei begründeter Anfrage unter Wahrung seiner Rechte am geistigen Eigentum die entsprechenden Informationen über die „unvollständige Maschine“ zu übermitteln.
  - Falls die „unvollständige Maschine“ in einem europäischen Land in Betrieb genommen wird, dessen offizielle Landessprache nicht mit der Sprache dieser Erklärung übereinstimmt, ist der Importeur verpflichtet, dieser Erklärung die entsprechende Übersetzung beizulegen.
  - Es wird darauf hingewiesen, dass die „unvollständige Maschine“ nicht in Betrieb genommen werden darf, bis die Endmaschine, in die sie eingebaut wird, ebenfalls als konform mit den Vorschriften der Richtlinie 2006/42/EG erklärt wurde (falls zutreffend).

Ferner entspricht das Produkt folgenden Normen:  
EN 61000-6-2:2005; EN 61000-6-3:2007 + A1:2011;  
EN 60335-1:2012 + A11:2014; EN 62233:2008

**Ort und Datum:** Oderzo, 05.09.2017

Ing. **Roberto Griffa**  
(Chief Executive Officer)



## OGÓLNE OSTRZEŻENIA: BEZPIECZEŃSTWO - MONTAŻ - UŻYTKOWANIE

### (instrukcja przetłumaczona z języka włoskiego)

**⚠** Poniższe ostrzeżenia zostały skopiowane bezpośrednio z Przepisów i, jeśli jest to możliwe, należy je stosować do niniejszego produktu

**UWAGA** Ważne instrukcje bezpieczeństwa. Należy przestrzegać wszystkich instrukcji, ponieważ nieprawidłowy montaż może być przyczyną poważnych szkód

**UWAGA** Ważne instrukcje bezpieczeństwa. W celu zapewnienia bezpieczeństwa osób, postępować zgodnie z niniejszą instrukcją. Należy starannie przechowywać niniejszą instrukcję

- Przed rozpoczęciem montażu należy sprawdzić informacje na temat „Parametrów technicznych produktu”, a w szczególności, czy urządzenie jest przystosowane do napędzania posiadanego przez Państwa urządzenia. Jeżeli produkt nie jest odpowiedni, NIE należy wykonywać montażu
- Nie używać urządzenia, jeśli nie przeprowadzono procedury oddania do eksploatacji, opisanej w rozdziale „Odbiór i przekazanie do eksploatacji”

**UWAGA** Według najnowszych, obowiązujących przepisów europejskich, wykonanie automatyki musi być zgodne z obowiązującą Dyrektywą Maszynową umożliwiającą zadeklarowanie zgodności automatyki. W związku z tym, wszystkie czynności polegające na podłączeniu do sieci elektrycznej, wykonywaniu prób odbiorczych, przekazywaniu do eksploatacji i konserwacji urządzenia muszą być wykonywane wyłącznie przez wykwalifikowanego i kompetentnego technika!

- Przed przystąpieniem do montażu produktu należy sprawdzić, czy wszystkie elementy i materiały przeznaczone do użycia prezentują idealny stan i są odpowiednie do użycia
- Produkt nie jest przeznaczony do obsługi przez osoby (w tym dzieci) o ograniczonych zdolnościach fizycznych, zmysłowych bądź umysłowych lub przez osoby nieposiadające odpowiedniego doświadczenia i wiedzy
- Nie zezwalać dzieciom na zabawę urządzeniem
- Nie zezwalać dzieciom na zabawę urządzeniami sterującymi produktu. Przechowywać piloty w miejscu niedostępnym dla dzieci

**UWAGA** W celu uniknięcia jakiegokolwiek zagrożenia na skutek przypadkowego uzbrojenia termicznego urządzenia odłączającego, nie należy zasilać tego urządzenia przy użyciu zewnętrznego urządzenia, jak zegar lub podłączać go do obwodu charakteryzującego się regularnym podłączaniem lub odłączaniem zasilania

- W sieci zasilającej instalacji należy przygotować urządzenie odłączające (nieznajdujące się na wyposażeniu), którego odległość pomiędzy stykami podczas otwarcia zapewnia całkowite odłączenie w warunkach określonych przez III kategorię przepięciową
- Podczas montażu, należy delikatnie obchodzić się z urządzeniem, chroniąc je przed zgnieceniem, uderzeniem, upadkiem lub kontaktem z jakiegokolwiek rodzaju płynami. Nie umieszczać urządzenia w pobliżu źródeł ciepła i nie wystawiać go na działanie otwartego ognia. Opisane powyżej sytuacje mogą doprowadzić do uszkodzenia urządzenia, być przyczyną nieprawidłowego działania lub zagrożień. Jeżeli doszłoby do któregoś z opisanych sytuacji, należy natychmiast przerwać montaż i zwrócić się o pomoc do Serwisu Technicznego
- Producent nie ponosi odpowiedzialności za szkody materialne lub osobowe powstałe w wyniku nieprzestrzegania instrukcji montażu. W takich przypadkach, nie ma zastosowania rękojmia za wady materialne
- Czyszczenie i konserwacja, za którą jest odpowiedzialny użytkownik, nie powinny być wykonywane przez dzieci pozbawione opieki
- Przed wykonaniem działań na instalacji (konserwacja, czyszczenie), należy zawsze odłączyć produkt od sieci zasilającej
- Materiał opakowaniowy podlega utylizacji zgodnie z miejscowymi przepisami
- Podczas wykonywania manewru, należy nadzorować automatykę i zadbać o to, aby inne osoby nie zbliżyły się do urządzenia, aż do czasu zakończenia czynności
- Nie sterować automatyką, jeżeli w jej pobliżu znajdują się osoby wykonujące czynności; przed wykonaniem tych czynności należy odłączyć zasilanie elektryczne

## 1 OPIS URZĄDZENIA I JEGO PRZEZNACZENIE

**MC200** to centrala elektroniczna, które umożliwiają kontrolę i sterowanie silnikiem przeznaczonym do napędzania rolety lub bramy wahadłowej lub bramy segmentowej lub rolety lub innych podobnych zastosowań.

**⚠ UWAGA! - Wszelkie inne użycie, różne od opisanego oraz wykorzystywanie produktu w warunkach otoczenia odmiennych, niż te, przedstawione w niniejszej instrukcji jest niezgodne z przeznaczeniem i zabronione!**

Parametry techniczne:

- podłącza się do sieci elektrycznej (patrz dane w rozdziale „Parametry techniczne produktu”);
- programowanie za pomocą ustawiania 8 przełączników dip-switch;
- wyposażona we wbudowany odbiornik radiowy, który umożliwia sterowanie automatyką za pomocą nadajnika radiowego;
- do centrali można podłączyć różne urządzenia dodatkowe, jak: para fotokomórek, lampa ostrzegawcza (z zasilaniem sieciowym) do sygnalizacji świetlnych, przycisk ścienny do wydawania poleceń typu „Krok po Kroku”, zewnętrzna antena radiowa, listwa krawędziowa, itp.
- jest wyposażona w złącze typu „IBT4N”, kompatybilne z interfejsem IBT4N, które umożliwia podłączenie wszystkich urządzeń posiadających interfejs BusT4 jak, na przykład, jednostka programowania Oview.

## 2 OGRANICZENIA W UŻYTKOWANIU

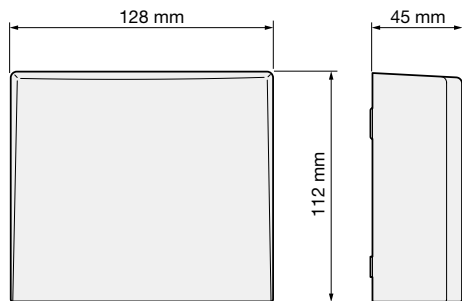
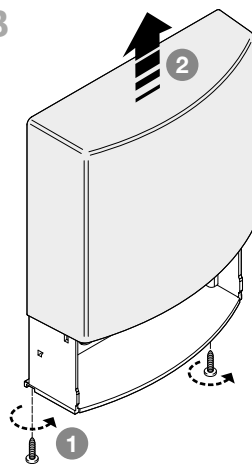
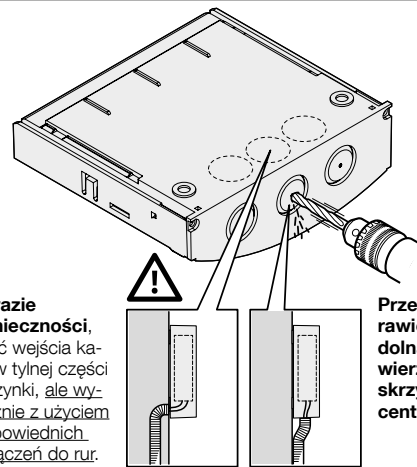
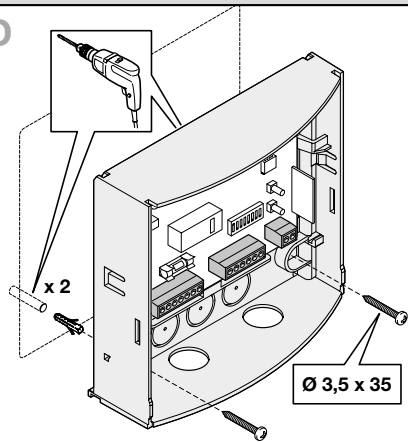
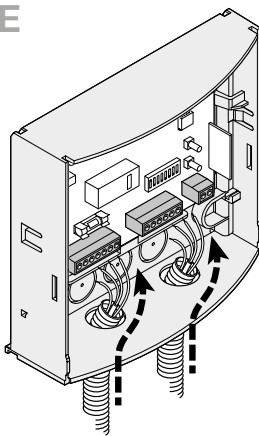
- Centrala MC200 może być używana wyłącznie z jednofazowym silnikiem asynchronicznym. Silnik musi być: **a)** zasilany z sieci elektrycznej i być przystosowany do takiego samego napięcia jak napięcie centrali; **b)** wyposażony w ochronnik termiczny; **c)** wyposażony w urządzenie elektromechaniczne ograniczające ruch (ogranicznik krańcowy); **d)** wyposażony w połączenia z 3 przewodami: „Wspólne”, „Otwiera”, „Zamyka”.
- Odbiornik radiowy wbudowany w centralę umożliwia wyłączenie nadajników, które stosują protokół kodowania radiowego **FLOOR**, **OCODE** lub **SMILO** (to standardy Nice).
- Dodatkowe ograniczenia użytkowania zamieszczono w rozdziale „Parametry techniczne produktu”.

## 3 MONTAŻ

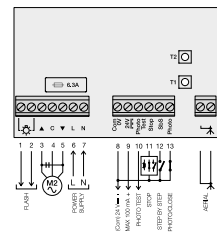
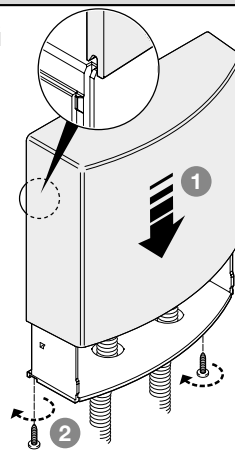
- ⚠ **Ważne!** - Przed dokonaniem instalacji produktu należy sprawdzić limity zastosowania zamieszczone w rozdziale 2 i 7.
- ⚠ **Upewnić się, że temperatura jest odpowiednia do obszaru zastosowania.**
- ⚠ **Urządzenia nie wolno instalować na zewnątrz.**
- ⚠ **Podczas wykonania perforacji skrzynki centrali w celu przełożenia kabli (rys. 1-C) należy pamiętać, że punkt wejścia kabli do skrzynki musi się zawsze znajdować w dolnej części skrzynki. Ponadto, należy zastosować specjalne środki ostrożności w celu zapewnienia żądanego stopnia ochrony (IP 44) w zależności od rodzaju instalacji.**
- ⚠ **Przed przeprowadzeniem instalacji, należy przygotować przewody elektryczne potrzebne w Państwa instalacji, odnosząc się do rys. 2b i do „Tabeli 1 - Dane techniczne przewodów elektrycznych”.**
- ⚠ **Uwaga!** – Podczas układania przewodów rurowych prowadzących kable elektryczne i wprowadzania kabli do obudowy centrali, należy wziąć pod uwagę, że, z powodu możliwego gromadzenia się wody w studzienkach rozgałęźnych, przewody rurowe mogą powodować powstawanie w centrali skroplin, które mogą uszkodzić obwody elektroniczne.

Zainstalować centralkę odnosząc się do **rys. 1**.



**1****A****B****C****D****E****F**

**Połączenia elektryczne.**  
Odnieść się do Rozdziału 4

**G**

## 4 POŁĄCZENIA ELEKTRYCZNE

**⚠ UWAGA!** – Wszystkie podłączenia elektryczne muszą być wykonane przy odłączonym zasilaniu. Niewłaściwie wykonane połączenia mogą spowodować obrażenia lub uszkodzenie urządzeń.

**⚠ UWAGA!** – Połączenia mogą być wykonane wyłącznie przez wykwalifikowanych specjalistów.

### 4.1 - Przygotowanie kabli elektrycznych do podłączenia urządzeń do centrali (Tabela A)

**Tabela A** - Charakterystyka kabli elektrycznych do połączeń

Urządzenie do podłączenia	Przekrój kabla	Maksymalna długość kabla
ZASILANIE DO CENTRALI STERUJĄCEJ	Nr 1 kabel: 2 x 1,5 mm <sup>2</sup>	30 m <b>(*1)</b>
LAMPA OSTRZEGAWCZA Z ANTENĄ RADIOWĄ	Nr 1 kabel: 2 x 1,5 mm <sup>2</sup> (do lampy ostrzegawczej) 1 kabel ekranowany typu RG58 (do anteny)	20 m 20 m (zalecany < 5 m)
URZĄDZENIA PODŁĄCZONE DO ZACISKÓW 8-9-10-11-12-13	6 kabli: 1 x 0,5 mm <sup>2</sup> <b>(*2)</b>	50 m
ZASILANIE DO SILNIKA	3 kable: 1 x 1,5 mm <sup>2</sup>	10 m

**(\*1)** – Jeśli kabel zasilający jest dłuższy od 30 m, należy zastosować kabel o większym przekroju, na przykład 2 x 2,5 mm<sup>2</sup>.  
**(\*2)** – Te 6 kabli można zastąpić 1 pojedynczym kablem 6 x 0,5 mm<sup>2</sup>.

**UWAGA!** – Zastosowane kable muszą być przeznaczone dla rodzaju otoczenia, w którym odbywa się ich montaż.

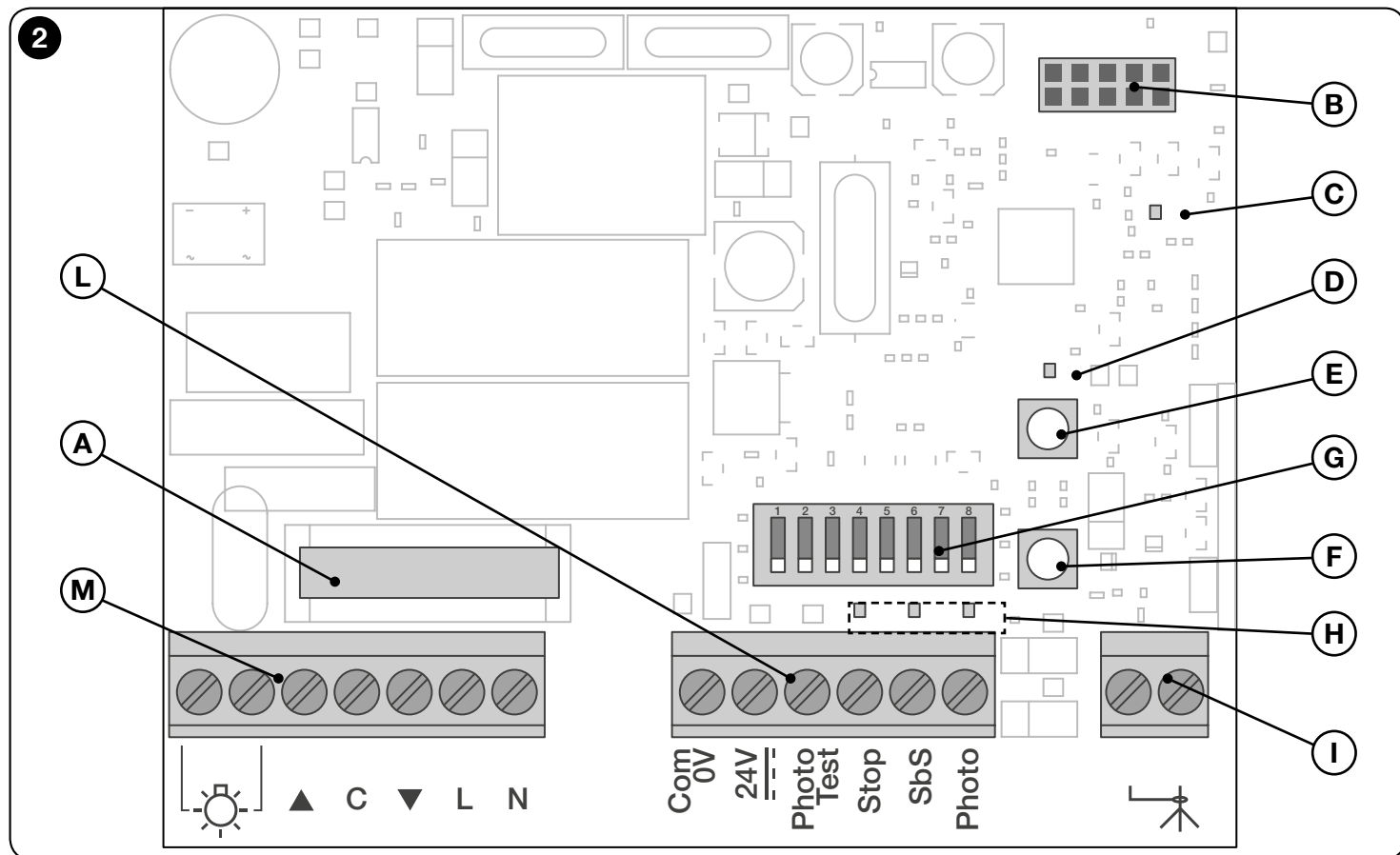
### 4.2 - Wykaz części wchodzących w skład centrali

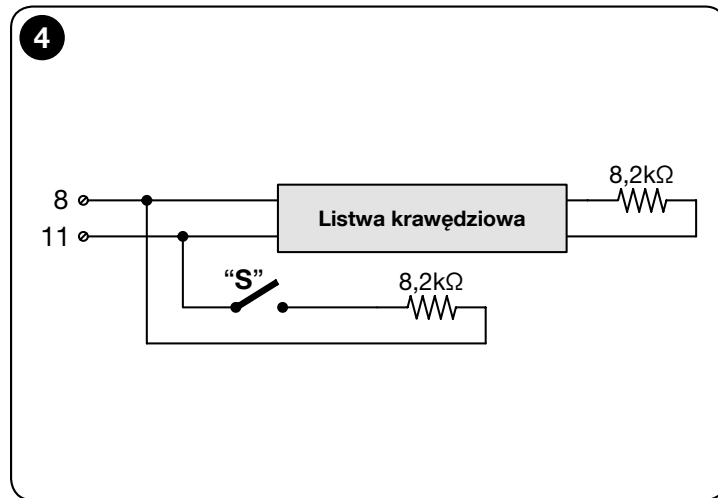
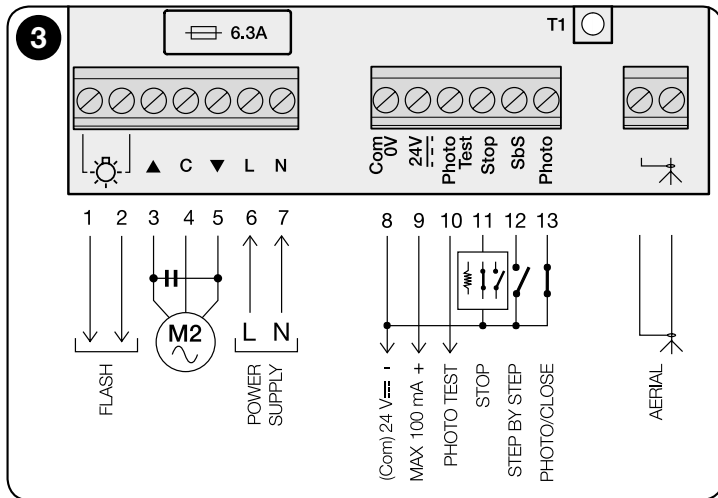
Podczas kolejnych faz łączenia i programowania, w celu odszukania części cytowanych w tekście, należy się odnieść do **rys. 2** i jego legendy.

- A** - Bezpiecznik linii (6,3 A)
- B** - Złącze do interfejsu IBT4N
- C** - Dioda „OK”
- D** - Dioda „radio”
- E** - Przycisk T2, do wczytywania nadajnika i kasowania nadajnika lub całej pamięci centrali
- F** - Przycisk T1, do programowania i wysyłania poleceń Krok po Kroku
- G** - Dip-switch do programowania funkcji
- H** - Diody wejść („Stop”, „SbS”, „Foto”)

I - Zaciski do anteny radiowej  
L - Zaciski do wejść niskonapięciowych

M - Zaciski do połączenia linii zasilającej i silnika





## 4.3 - Podstawowe podłączenia

### • Podłączenie silnika do centrali MC200

Podłączyć 3 przychodzące z silnika (*Faza podnoszenia, Wspólny, Faza opuszczania*) do **zacisków 3, 4 i 5** centrali, jak przedstawiono na **rys. 3**.

**UWAGA!** Przed podłączeniem silnika należy się upewnić, że przewód, który zostanie podłączony do **zacisku 3** powoduje **OTWARCIE** bramy, że przewód, który zostanie podłączony do **zacisku 5** powoduje **ZAMKNIĘCIE** bramy i że przewód, który zostanie podłączony do **zacisku 4** jest **WSPÓLNY**.

**Uwaga!** – Nie podłączać równoległe kilku silników do tej samej centrali, jeśli nie jest to wyraźnie przewidziane w instrukcji silnika; ewentualnie, używać odpowiednich płyt rozszerzalnych.

### • Podłączenie zasilania do centrali MC200

Podłączyć 2 przewody pochodzące z sieci elektrycznej (*Fazy i Neutralny*), do zacisków **6 i 7** centrali, jak przedstawiono na **rys. 3**.

### • Podłączenie silnika do Uziemienia

**Uwaga!** - Aby spełnić wymogi bezpieczeństwa przewidziane przez klasę przynależności produktu (Klasa II), należy wykonać połączenie uziemienia silnika **na zewnątrz centrali MC200**.

## 4.4 - Podłączenie urządzeń dodatkowych

Aby podłączyć przewidziane urządzenia dodatkowe należy się odnieść do **Tabeli B**, na **rys. 3** i instrukcji każdego urządzenia dodatkowego. W **Tabeli B** zebrano wszystkie urządzenia dodatkowe, które można podłączyć do zacisków centrali i specyfikacje umożliwiające wykonanie połączeń elektrycznych. Przed wykonaniem dalszych działań, uważnie przeczytać tabelę i uwagi. **Uwaga** – Ponieważ niektóre wejścia oferują różne funkcje połączeń urządzeń dodatkowych, po zakończeniu połączeń należy ustawić przełączniki dip-switch zgodnie z podłączonymi urządzeniami dodatkowymi (patrz rozdział 5 - Programowanie).

**Tabela B** - Funkcja zacisków (wejścia i wyjścia)

Zaciski	Opis Funkcji
1 - 2	<b>Wyjście</b> do sygnalizatora świetlnego lampy ostrzegawczej do napięcia sieci.
3 - 4 - 5	<b>Wyjście</b> do sterowania silnikiem (otwiera, wspólne, zamyka).
6 - 7	<b>Wejście</b> linii zasilającej pochodzące od sieci elektrycznej (faza, neutralne).
8	Odniesienie do 0 Volt przewodu „Wspólnego” urządzeń podłączonych do zacisków <b>9, 10, 11, 12 i 13</b> .
9	<b>Wyjście 24 V</b> . Wyjście Usług (na przykład, fotokomórek) z zasilaniem 24 V=== (niskie napięcie): emaksymalny pobór prądu: 100 mA.
10	<b>Wyjście Test Foto</b> . Wyjście 24 V=== fotokomórki nadajnika (TX), lub diody-otwartej-bramy. Maksymalny pobór prądu: 50 mA.
11	<b>Wejście Stop</b> . Wejście urządzeń bezpieczeństwa ze stałą rezystancją 8,2k $\Omega$ (listwa krawędziowa, itp.).
12	<b>Wejście SbS</b> . Wejście dla przycisku NO (normalnie otwarty), do przesyłania poleceń w trybie Krok po Kroku.
13	<b>Wejście Foto</b> . Wejście fotokomórki odbiorczej (RX) normalnie zamkniętej (NC) lub przycisku NO (normalnie otwartego).
14 - 15	<b>Wejście</b> do anteny-odbiornika radiowego.

## 4.5 - Jak zarządzać wyjściem „Test Foto” i wejściami „Stop”, „SbS”, „Foto”

### 4.5.1 - Wyjście Test Foto (zacisk 10)

Wyjście to musi być skonfigurowane za pomocą przycisku programowania dip-switch **7** w zależności od typu podłączonego urządzenia: po podłączeniu fotokomórki nadającej (TX), przełącznik dip-switch musi być ustawiony na ON; w razie podłączenia diody-otwartej-bramy, przełącznik dip=switch musi być ustawiony na OFF.

**UWAGI** • Jeśli do tego wyjścia zostanie podłączona dioda-otwartej-bramy, fotokomórka TX musi być podłączona do zacisku **9**. • Sygnalizacje diody-otwartej-bramy mają następujące znaczenie:

dioda zgaszona = drzwi zamknięte; dioda zaświecona = drzwi otwarte; wolne miganie = brama w trakcie zamykania; szybkie miganie = zamykanie bramy.

#### 4.5.2 - Wejście Stop (zacisk 11)

To wejście musi być skonfigurowane za pomocą przełącznika programowania dip-switch **1 - 2** w zależności od rodzaju podłączonego urządzenia: styki normalnie zamknięte (NC), styki normalnie otwarte (NO) lub styki ze stałą rezystancją (8,2kΩ). **Uwaga!** - Tylko użycie styku ze stałą rezystancją z ustawieniem OFF+OFF przycisków dip-switch **1 - 2** zapewni minimalny poziom odporności na uszkodzenia, wymagany przepisami. Zazwyczaj zadziałanie urządzenia podłączonego do wejścia Stop powoduje natychmiastowe zatrzymanie ruchu silnika z krótkim odwróceniem manewru (wybierany za pomocą przełącznika dip-switch **3**). W celu wyłączenia tego odwrócenia działania urządzenia bezpieczeństwa (na przykład, gdy listwa krawędziowa dotyka podłoża), można użyć styku „**S**” (z rezystancją 8,2kΩ połączoną szeregowo) do połączenia równoległego do listwy krawędziowej (patrz **rys. 4**). Styk „**S**” musi być ustawiony w taki sposób, by zamykał się w ostatnich 30/40 mm manewru zamykającego, przed zadziałaniem listwy krawędziowej. W ten sposób, gdy styk „**S**” zamyka się i zadziała listwa krawędziowa (na przykład na podłożu), automatyka blokuje się bez odwrócenia manewru i brama zostaje całkowicie zamknięta. Z tego stanu system umożliwi zlecenie wyłącznie manewru otwierania.

Stan wejścia Stop jest zasygnalizowany przez diodę „Stop” o znaczeniu wskazanym w **Tabeli C**.

<b>Tabela C - Stan wejścia „STOP” oznaczony przez odpowiednią diodę</b>	
<b>Sygnalizacja diody „Stop”</b>	<b>Znaczenie (stan wejścia Stop)</b>
<b>Zaświecona</b>	Aktywne (pozwolenie na manewr)
<b>Zgaszona</b>	Nieaktywne (manewr zablokowany)
<b>50% włączony + 50% zgaszony</b>	Odwrócenie wyłączone
<b>20% włączony + 80% zgaszony</b>	Nieaktywne, z wyłączonym odwróceniem (dozwolony wyłącznie manewr otwierania)

#### 4.5.3 - Wejście SbS (zacisk 12)

Za każdym razem po naciśnięciu przycisku podłączonego do tego wyjścia system wykona polecenie kolejne w stosunku do ostatniego wykonanego polecenia zgodnie z sekwencją ustanowioną w fabryce, programowaną za pomocą przycisku dip-switch 5 (na przykład > otwiera > stop > zamyka > stop > od początku...). Jeśli przycisk sterowniczy jest wciskany na długi okres czasu (od 4 do 10 sekund), system zleca zawsze manewr otwarcia; po przekroczeniu 10 sekund system zleca zawsze manewr zamknięcia. Ta szczególna funkcja może być przydatna w obecności większej liczby centrali, gdy pragnie się nimi sterować w tym samym czasie i pragnie się, by odpowiednie bramy wykonały ten sam ruch, niezależnie od stanu, w jakim znajduje się każda centrala.

#### 4.5.4 - Wejście Foto (zacisk 13)

To wyjście musi być skonfigurowane za pomocą przycisku programowania dip-switch **4** w zależności od typu podłączonego urządzenia: po podłączeniu fotokomórki odbierającej (RX) normalnie zamkniętej (NC), przełącznik dip-switch musi być ustawiony na OFF; w razie podłączenia przycisku NA (normalnie otwartego), przełącznik dip-switch należy ustawić na ON. **Uwaga** – Jeśli została podłączona fotokomórka odbioru (RX) normalnie zamknięta (NC), w razie braku pozwolenia można wykonać wyłącznie manewr otwierania.

## 5 PROGRAMOWANIE

**WAŻNE!** - Po zakończeniu wszystkich połączeń należy doprowadzić zasilanie elektryczne do centrali i wykonać programowanie ustawiając osiem przełączników dip-switch na płycie w zależności od typologii podłączonych urządzeń i funkcji, które pragnie się aktywować lub dezaktywować. W celu wykonania programowania należy się odnieść do Tabeli D.

**Tabela D** - Ustawienia przełączników dip-switch

Przełącznik Dip-switch	Ustawienie	Opis ustawionej funkcji
Przełącznik 1 - 2	(1) OFF; (2) OFF	Aktywuje wejście Stop po podłączeniu styku ze stałą rezystancją 8,2kΩ, bez przycisku „S” który uniemożliwia odwrócenie ruchu (patrz rys. 4)
	(1) OFF; (2) ON	Aktywuje wejście Stop po podłączeniu styku ze stałą rezystancją 8,2kΩ, z przyciskiem „S” który działa w odległości 30/40 mm od ogranicznika w celu uniemożliwienia odwrócenia ruchu (patrz rys. 4)
	(1) ON; (2) OFF	Aktywuje wejście Stop po podłączeniu styku NO (normalnie otwartego)
	(1) ON; (2) ON	Aktywuje wejście Stop po podłączeniu styku NC (normalnie zamkniętego)
Przełącznik 3	OFF	Aktywuje wejście Stop w celu zatrzymania manewru w toku i wykonania krótkiego odwrócenia ruchu
	ON	Aktywuje wejście Stop w celu zatrzymania manewru w toku
Przełącznik 4	OFF	Włącza wejście Foto do połączenia fotokomórek
	ON	Włącza wejście Foto do użycia jako polecenie zamknięcia
Przełącznik 5	OFF	Aktywuje następujące polecenia cykliczne typu krok po kroku: > Otwiera > Stop > Zamyka > Stop > (od początku...)
	ON	Aktywuje następujące polecenia cykliczne typu krok po kroku: > Otwiera > Stop > (od początku...)
Przełącznik 6	OFF	Wyłącza funkcję zespół mieszkalny
	ON	Włącza funkcję zespół mieszkalny
Przełącznik 7	OFF	Włącza funkcję „Dioda-otwartej-bramy”
	ON	Włącza funkcję Test Foto
Przełącznik 8	OFF	Wyłącza „Czas pauzy” w celu automatycznego zamknięcia bramy po poleceniu otwarcia
	ON	Włącza „Czas pauzy” w celu automatycznego zamknięcia bramy po poleceniu otwarcia

## 5.1 - Informacje dodatkowe na temat niektórych funkcji i programowalnych opcji

### 5.1.1 - Przełącznik Dip-switch 1 i 2 (dla wejścia Stop)

Te przełączniki dip-switch służą do programowania wejścia Stop w zależności od typologii urządzenia bezpieczeństwa, które zostało do niego podłączone:

- Styk ze stałą rezystancją 8,2kΩ, z odwróceniem.
- Styk ze stałą rezystancją 8,2kΩ, bez odwrócenia.

Styk NO (normalnie otwarty).

Styk NC (normalnie zamknięty).

### 5.1.2 - Przełącznik Dip-switch 5 (dla wejścia SbS)

Jeśli wejście SbS jest zaprogramowane z sekwencją poleceń Krok po Kroku: > **Otwiera** > **Stop** > (**od początku...**), więc z przełącznikiem dip-switch 5 na ON, podczas użycia automatyki nie będzie możliwe sterowanie zamknięciem bramy. Polecenie to może być nadane wyłącznie programując automatyczne zamknięcie (przełącznik dip-switch 8 na ON) lub za pomocą nadajnika radiowego.

### 5.1.3 - Przełącznik Dip-switch 6

- **Podczas manewru otwierania:** jeśli jest włączona funkcja zespołu mieszkalnego (przełącznik dip-switch 6 na ON), uniemożliwia, by wysłanie polecenia otwarcia lub polecenia Krok po Kroku zatrzymało manewr lub go odwróciło przed jego zakończeniem na ograniczniku.
- **Podczas manewru zamykania:** jeśli jest włączona funkcja zespołu mieszkalnego (przełącznik dip-switch 6 na ON), wysłanie polecenia otwarcia lub polecenia Krok po Kroku zatrzymuje manewr i odwraca ruch powodując otwarcie bramy.

## 5.2 - Wczytywanie ustawień przełączników Dip-Switch

Po ustawieniu wszystkich przełączników dip-switch (lub później, za każdym razem, gdy pragnie się zmienić ustawienie jednego lub kilku przełączników dip-switch) należy wczytać do centrali wykonane ustawienia, działając w następujący sposób: gdy **dioda „OK”** zaczyna migać (w kolorze zielonym/czerwonym) oznacza to, że został przesunięty jeden lub kilka przełączników dip-switch. Tak więc, w celu wczytania nowego ustawienia należy nacisnąć i przytrzymać wciśnięty **przycisk T1** na centrali, aż do chwili, gdy **dioda „OK”** będzie świecić stałym światłem w kolorze zielonym. Następnie zwolnić przycisk.

## 5.3 - Programowanie „Czasu pracy” silnika i „Czasu pauzy” dla zamknięcia automatycznego

„Czas pracy” i „Czas pauzy” to dwa podstawowe parametry centrali programowane jeden za drugim z tą samą procedurą. Te parametry mogą być programowane wyłącznie po ustawieniu i wczytaniu wszystkich przełączników dip-switch.

- **Czym jest „Czas pracy”?** Jest to maksymalny czas w jakim centrala utrzymuje zasilanie silnika od chwili, w której zostaje przesłane polecenie. Czas ten musi być wystarczający do ukończenia manewru silnika (osiągnięcie ogranicznika). Wartość fabryczna (lub po całkowitym skasowaniu pamięci) wynosi 120 sekund. Możliwe jest również dokonanie zmiany tej wartości programując czas 5 sekund (minimum) do 120



sekund (maksimum). Procedura przewiduje pomiar w automatycznym wczytywaniu czasu potrzebnego silnikowi do zakończenia manewru. Z tego powodu należy dokonać pomiaru manewru najbardziej obciążającego silnik (więc najwolniejszego) którym jest zazwyczaj rozpoczęcie ruchu z ogranicznika. **Uwaga!** - Zaleca się zaprogramowanie nieznacznie dłuższego czasu (o kilka sekund) w stosunku do czasu koniecznego na zakończenie manewru.

• **Czym jest „Czas pauzy”?** Jest to czas, przez jaki centrala oczekuje przed automatycznym zamknięciem bramy, po wysłaniu przez użytkownika polecenia otwarcia (funkcja: zamknięcie automatyczne). Programowany czas pauzy trwa od 5 sekund (minimum) do 120 sekund (maksimum). Czas pauzy można również całkowicie wyeliminować; służy to do wyłączenia zamykania automatycznego.

#### W celu wczytania „Czasu pracy” i „Czasu pauzy”

01. Przenieść bramę na ogranicznik dolny.
02. Nacisnąć i przytrzymać wciśnięty przycisk **T1** na centrali: gdy tylko silnik rozpocznie ruch w kierunku ogranicznika wysokiego, należy zacząć odliczać 5 sekund. Po upływie 5 sekund centrala zaczyna wczytywać czas trwania manewru;
03. nadal przytrzymywać wciśnięty przycisk **T1**; odczekać na zakończenie manewru w ograniczniku wysokim; odczekać jeszcze kilka sekund i zwolnić przycisk. Nastąpi zatrzymanie silnika i centrala wczyta nowy, tyle co odliczony Czas pracy.
04. W ciągu 2 sekund od zatrzymania silnika należy nacisnąć i przytrzymać wciśnięty przycisk **T1** na centrali: od tej chwili zaczyna się pomiar **Czasu pauzy**.
05. Zwolnić przycisk **T1** po upływie żądanego czasu (maksymalnie 120 sekund); centrala zleca silnikowi manewr opuszczania i w międzyczasie **wczytuje zmierzony czas**. Czas ten zostanie użyty do automatycznego zamknięcia bramy.

**WAŻNE** - Zaprogramowany czas pauzy zostanie wykonany wyłącznie, jeśli przełącznik dip-switch 8 jest ustawiony na ON.

#### W celu dokonania zmiany „Czasu pracy” i „Czasu pauzy”

01. W razie konieczności dokonania zmiany wyłącznie „Czasu pracy”, należy powtórzyć procedurę od początku i zatrzymać się na kroku 4.

#### W celu wyłączenia „Czasu pauzy”

01. W razie konieczności wyłączenia automatycznego zamknięcia, więc wyeliminowania Czasu Pauzy, należy powtórzyć procedurę od początku i zatrzymać się na kroku 4. Alternatywnie, zamknięcie automatyczne może zostać wyłączona ustawiając na off przełącznik dip-switch 8.

## 5.4 - Wczytywanie nadajników

Odbiornik radiowy wbudowany w centralę jest kompatybilny z wszystkimi nadajnikami, które stosują protokół kodowania radiowego **FLOR, O-CODE** lub **SMILO** (to standardy Nice).

### 5.4.1 - Dwa sposoby wczytywania przycisków nadajników

Wśród procedur dostępnych do wczytywania nadajników, niektóre umożliwiają ich wczytywanie w trybie „standard” (lub Trybie 1) i inne w trybie „personalizowanym” (lub Trybie 2).

#### • Wczytywanie STANDARD (zwane również „Trybem 1”)

Procedury tego rodzaju umożliwiają równoczesne wczytanie podczas ich wykonywania wszystkich przycisków na nadajniku. System automatycznie przypisuje do każdego przycisku polecenie ustalone w fabryce, zgodnie z następującym schematem:

Polecenie	Przycisk
<b>nr 1 - Podnoszenie</b>	zostanie przypisane do <b>1 przycisku</b> / przycisk 1 / przycisk ▲
<b>nr 2 - Stop</b>	zostanie przypisane do <b>2 przycisku</b> / przycisk 2 / przycisk ■
<b>nr 3 - Opuszczanie</b>	zostanie przypisane do <b>3 przycisku</b> / przycisk 3 / przycisk ▼
<b>nr 4 - Krok po Kroku</b>	zostanie przypisane do <b>4 przycisku</b> / przycisk 4 (jeśli przycisk jest obecny na nadajniku).
<b>Uwaga</b> - W normalnych warunkach, przyciski nadajników są identyfikowane za pomocą symboli lub liczb. Jeśli nie są one obecne na Państwa nadajniku, w celu określenia, który przycisk jest przyciskiem 1, a który jest przyciskiem 2, itp. należy się odnieść do <b>rys. 5</b> .	

#### • Wczytywanie SPERSONALIZOWANE (zwane również „Trybem 2”)

Procedury tego rodzaju umożliwiają czytanie, podczas ich wykonywania, jednego przycisku spośród przycisków na nadajniku, przypisując go do następujących dostępnych poleceń: **Podnoszenie**, **Stop**, **Opuszczanie**, **Krok po Kroku**. Wybór przycisku i polecenia do przypisania następuje przez instalatora, na podstawie wymagań automatyki.

### 5.4.2 - Liczba możliwych do wczytania nadajników

Odbiornik centrali posiada **192 jednostki pamięci**. Jedna jednostka może wczytać albo jeden nadajnik (tj. zbiór jego przycisków i poleceń) lub jeden przycisk z odpowiednim poleceniem.

## PROCEDURE

**UWAGA!** - Aby móc wykonać **Procedury A, B, C, D, F**, pamięć centrali musi być **odblokowana**. Jeśli jest zablokowana, należy wykonać **Procedurę G** w celu odblokowania.

## PROCEDURA A - Wczytywanie WSZYSTKICH przycisków pojedynczego nadajnika (tryb STANDARD lub Tryb 1)

01. Na centrali: nacisnąć i przytrzymać wciśnięty **przycisk T2** do zaświecenia się **diody „radio”**; następnie zwolnić przycisk.
02. (w ciągu 10 sekund) Na nadajniku, który pragnie się wczytać: przytrzymać wciśnięty jakikolwiek przycisk i odczekać, aż **dioda „radio”** wykona 3(\*) długie mignięcia (= wczytywanie wykonane prawidłowo). Na koniec, zwolnić przycisk.
03. **Uwaga** - Po 3 długich mignięciach dostępne jest kolejne 10 sekund w celu wczytania dodatkowego nadajnika (w razie konieczności), rozpoczynając od kroku 02.

Po zakończeniu Procedury przyciski nadajnika są przypisane do poleceń określonych w opisie Trybu 1 (punkt 5.4.1).

## PROCEDURA B - Wczytywanie JEDNEGO przycisku nadajnika (tryb PERSONALIZOWANY lub Tryb 2)

01. W poniższej tabeli należy wybrać polecenie, które pragnie się przypisać do wczytywanego przycisku.

Wybrać Polecenie	Aby wczytać polecenie... (krok 02)
nr 1 - <b>Podnoszenie</b>	...nacisnąć przycisk T2 <b>1 raz</b> .
nr 2 - <b>Stop</b>	...nacisnąć przycisk T2 <b>2 razy</b> .
nr 3 - <b>Opuszczanie</b>	...nacisnąć przycisk T2 <b>3 razy</b> .
nr 4 - <b>Krok po Kroku</b>	...nacisnąć przycisk T2 <b>4 razy</b> .

02. Na centrali: nacisnąć i zwolnić **wiele razy przycisk T2**, jak wskazano na wysokości wybranego polecenia w powyższej tabeli.
03. (w ciągu 10 sekund) Na nadajniku: przytrzymać wciśnięty przycisk, który pragnie się wczytać i odczekać, aż **dioda „radio”** wykona 3(\*) długie mignięcia (= wczytywanie wykonane prawidłowo). Na koniec, zwolnić przycisk.
04. **Uwaga** - Po 3 długich mignięciach dostępne jest kolejne 10 sekund w celu wczytania dodatkowego przycisku (w razie konieczności), rozpoczynając od kroku 01.

### (\*) - Uwagi do Procedur A i B:

Dioda „radio” może wyświetlać również następujące sygnalizacje:

- **1 szybkie mignięcie**, jeśli nadajnik jest już wczytany.
- **6 mignięć**, jeśli kodowanie radia nadajnika nie jest kompatybilne z kodowaniem centrali.
- **8 mignięć**, jeśli pamięć jest pusta.

## **PROCEDURA C - Wczytywanie nadajnika za pomocą innego już wczytanego nadajnika (zdalne wczytywanie centrali)**

Ta procedura umożliwia wczytanie nowego nadajnika za pomocą użycia drugiego nadajnika, już wczytanego do centrali. Umożliwia to nowemu nadajnikowi uzyskanie takich samych ustawień, jak uprzednio wczytany nadajnik. Przebieg procedury nie przewiduje bezpośredniego działania na przycisk T2 centrali, ale proste działanie we wnętrzu promienia odbioru.

- |            |   |
|------------|---|
| <b>01.</b> | <u>Na nadajniku do wczytania</u> : nacisnąć i przytrzymać wciśnięty przycisk, który pragnie się wczytać.                    |
| <b>02.</b> | <u>Na centrali</u> : po kilku sekundach (około 5) zaświeci się <b>dioda „radio”</b> . Następnie zwolnić przycisk nadajnika. |
| <b>03.</b> | <u>Na już wczytanym nadajniku</u> : nacisnąć i zwolnić <b>3 razy</b> wczytany przycisk, który pragnie się skopiować.        |
| <b>04.</b> | <u>Na nadajniku do wczytania</u> : nacisnąć i zwolnić <b>1 raz ten sam przycisk wczytany w punkcie 01.</b>                  |

## **PROCEDURA D - Kasowanie pojedynczego nadajnika (jeśli wczytany w Trybie 1) lub pojedynczego przycisku nadajnika (jeśli wczytany w Trybie 2)**

- |            |  |
|------------|--|
| <b>01.</b> | <u>Na centrali</u> : nacisnąć i przytrzymać wciśnięty <b>przycisk T2</b> .<br>– Po około 4 sekundach <b>dioda „radio”</b> będzie świecić światłem stałym (przytrzymać nadal wciśnięty przycisk).   |
| <b>02.</b> | <u>Na nadajniku, który pragnie się skasować z pamięci</u> : nacisnąć i przytrzymać wciśnięty przycisk(*) aż do chwili, gdy <b>dioda „radio”</b> (na centrali) wyemituje 5 szybkich mignięć (lub 1 mignięcie, jeśli nadajnik lub przycisk nie jest wczytany). |

**(\*) Uwaga** - Jeśli nadajnik jest wczytany w Trybie 1, można nacisnąć jakikolwiek przycisk i centrala skasuje cały nadajnik. Jeśli nadajnik jest wczytany w Trybie 2, należy nacisnąć wczytany przycisk, który pragnie się skasować. W celu skasowania dodatkowych przycisków wczytanych w Trybie 2, należy powtórzyć całą procedurę dla każdego przycisku, który pragnie się skasować.

## **PROCEDURA E - Kasowanie WSZYSTKICH wczytanych nadajników**

- |            |   |
|------------|---|
| <b>01.</b> | <u>Na centrali</u> : nacisnąć i przytrzymać wciśnięty przycisk <b>„radio”</b> .<br>– Po około 4 sekundach <b>dioda „radio”</b> będzie świecić światłem stałym (przytrzymać nadal wciśnięty przycisk).<br>– Po około 4 sekundach <b>dioda „radio”</b> będzie zgaśnie (przytrzymać nadal wciśnięty przycisk). |
| <b>02.</b> | Gdy <b>dioda „radio”</b> zacznie migać, odliczyć 2 mignięcia i przygotować się na zwolnienie przycisku <b>dokładnie podczas 3 mignięcia, które nastąpi.</b>   |
| <b>03.</b> | Podczas kasowania <b>dioda „radio”</b> miga w szybkim tempie.   |

04. Na koniec, **dioda „radio”** wykona 5 długich mignięć w celu zasygnalizowania, że kasowanie odbyło się w prawidłowy sposób.

## **PROCEDURA F - Kasowanie CAŁEJ pamięci i przywracanie ustawień fabrycznych**

- |     |  |
|-----|--|
| 01. | <u>Na centrali</u> : naciśnięć i przytrzymać wciśnięty <b>przycisk „radio”</b> .<br>– Po około 4 sekundach <b>dioda „radio”</b> będzie świecić światłem stałym (przytrzymać nadal wciśnięty przycisk).<br>– Po około 4 sekundach <b>dioda „radio”</b> będzie zgaśnie (przytrzymać nadal wciśnięty przycisk). |
| 02. | Gdy <b>dioda „radio”</b> zacznie migać, odliczyć 4 mignięcia i <u>przygotować się na zwolnienie przycisku <b>dokładnie podczas 5 mignięcia</b>, które nastąpi.</u>   |
| 03. | Podczas kasowania <b>dioda „radio”</b> miga w szybkim tempie.  |
| 04. | Na koniec, <b>dioda „radio”</b> wykona 5 długich mignięć w celu zasygnalizowania, że kasowanie odbyło się w prawidłowy sposób.   |

## **PROCEDURA G - Blokowanie (lub Odblokowanie) Pamięci**

**UWAGA!** - Niniejsza procedura blokuje pamięć uniemożliwiając wykonanie Procedur A, B, C, D, F.

- |     |  |
|-----|--|
| 01. | Wyłączyć zasilanie centrali.   |
| 02. | <u>Na centrali</u> : naciśnięć i przytrzymać wciśnięty <b>przycisk „radio”</b> ; następnie doprowadzić zasilanie do centrali (przytrzymując wciśnięty przycisk).   |
| 03. | Po 5 sekundach <b>dioda „radio”</b> wykona 2 wolne mignięcia; następnie zwolnić przycisk.  |
| 04. | (w ciągu 5 sekund) <u>Na centrali</u> : naciśnięć kilkakrotnie <b>przycisk „radio”</b> , aby wybrać jedną z poniższych opcji: <ul style="list-style-type: none"><li>• <u>Dioda zgaszona</u> = <u>Wyłączenie</u> Blokady wczytywania.</li><li>• <u>Dioda zaświecona</u> = <u>Włączenie</u> Blokady wczytywania.</li></ul> |
| 05. | Po 5 sekundach od ostatniego naciśnięcia na przycisk, <b>dioda „radio”</b> wykona 2 wolne mignięcia, aby zasygnalizować koniec procedury.  |

## 6 ODBIÓR I PRZEKAZANIE DO EKSPLOATACJI

Są to najważniejsze fazy podczas realizacji automatyki, ponieważ muszą one zapewnić maksymalne bezpieczeństwo instalacji. Muszą zostać wykonane przez wykwalifikowany i doświadczony personel, który musi wziąć na siebie obowiązek określenia, jakie próby należy przeprowadzić, aby zapobiec możliwym zagrożeniom oraz sprawdzić zgodność z wymaganiami stawianymi przez przepisy, normy i rozporządzenia: w szczególności wymogi norm EN 13241, EN 12445 i EN 12453. Urządzenia dodatkowe muszą zostać poddane specjalnej próbie, zarówno pod względem działania, jak i prawidłowej współpracy z centralą MC200. Należy się zapoznać z instrukcjami pojedynczych urządzeń.

### 6.1 - Próba odbiorcza

Próbę można również przeprowadzać okresowo, w celu skontrolowania stanu urządzeń, z których składa się automatyka. Każdy pojedynczy element automatyki (listwy krawędziowe, fotokomórki, lampy ostrzegawcze, itp.) wymaga specyficznej fazy odbioru; dla tych urządzeń należy wykonać procedury opisane w odpowiednich instrukcjach. Wykonać próbę odbiorczą w następujący sposób:

<b>01.</b>	Sprawdzić, czy zostały spełnione warunki zawarte w rozdziale „OSTRZEŻENIA”
<b>02.</b>	Przy użyciu przycisku sterowniczego lub nadajnika, należy zlecić manewry Zamknięcia i Otwarcia bramy. Podczas tych ruchów należy się upewnić, że <b>a)</b> fotokomórki (jeśli występują) zadziałają podczas manewru Zamykania; <b>b)</b> listwa krawędziowa (jeśli występuje) zadziała w ustawiony sposób; <b>c)</b> automatyczne zamknięcie bramy (jeśli zaprogramowane) odbywa się w kierunku zamknięcia. Jeśli wyniki kontroli nie są zgodne z zaleceniami, należy się upewnić, że połączenia elektryczne zostały wykonane prawidłowo. W szczególności, należy się odnieść do ostrzeżeń w punkcie 4.3.
<b>03.</b>	Zaleca się wykonanie kilku prób w celu oceny łatwości posuwu bramy i ewentualnych usterek montażowych, regulacyjnych oraz obecności szczególnych punktów tarcia.
<b>04.</b>	Sprawdzić prawidłowe funkcjonowanie wszystkich obecnych urządzeń zabezpieczających (fotokomórki, listwy krawędziowe, itd.).
<b>05.</b>	Sprawdzić funkcjonowanie fotokomórek (jeśli występują) i ewentualne zakłócenia z innymi urządzeniami: 1 - przełożyć cylinder (średnica 5 cm i długość 30 cm) między parą fotokomórek, najpierw w pobliżu TX, następnie w pobliżu RX w celu przerwania osi optycznej, która je łączy wirtualnie; 2 - następnie sprawdzić, czy wywołuje to w centrali przewidziane działanie: na przykład, odwrócenie ruchu manewru Zamykania.

## 6.2 - Przekazanie do eksploatacji

Przekazanie do eksploatacji może być wykonane wyłącznie po wykonaniu, z pozytywnym wynikiem, wszystkich faz prób odbiorczych (punkt 6.1). Nie dopuszcza się częściowego przekazania do eksploatacji lub rozruchu w sytuacjach „prowizorycznych”.

01.	Sporządzić i przechowywać (przez okres co najmniej 10 lat) dokumentację techniczną automatyki, która musi zawierać: rysunek całości systemu automatyki, schemat połączeń elektrycznych, analizę ryzyka i zastosowane środki zapobiegawcze, deklarację zgodności producenta wszystkich zainstalowanych urządzeń (w przypadku centrali MC200 należy użyć załączoną Deklarację zgodności UE), kopię instrukcji obsługi oraz plan konserwacji systemu automatyki.
02.	Wypełnić i przekazać właścicielowi automatyki deklarację zgodności.
03.	Dostarczyć właścicielowi automatyki „Instrukcję obsługi” (załącznik do wycięcia w instrukcji automatyki).
04.	Wykonać i dostarczyć właścicielowi automatyki harmonogram konserwacji.
05.	Przed wprowadzeniem automatyki do użytku, poinformować odpowiednio właściciela w formie pisemnej na temat zagrożeń i występujących ryzyk resztkowych

## 7 UTYLIZACJA PRODUKTU

**Niniejszy produkt stanowi integralną część systemu automatyki, należy go zatem utylizować razem z nią.**

Podobnie, jak w przypadku czynności montażowych, po zakończeniu okresu użytkowania produktu, prace demontażowe powinny zostać wykonane przez wykwalifikowany personel.

Urządzenie składa się z różnego rodzaju materiałów: niektóre z nich mogą zostać poddane recyklingowi, inne powinny zostać poddane utylizacji. Należy się zapoznać z informacjami na temat recyklingu i utylizacji przewidzianymi w lokalnie obowiązujących przepisach dla danej kategorii produktu.

**⚠ UWAGA! - Niektóre części produktu mogą zawierać substancje szkodliwe lub niebezpieczne, które pozostawione w środowisku, mogłyby mieć szkodliwy wpływ na środowisko i zdrowie ludzkie.**



Umieszczony obok symbol zakazuje wyrzucania niniejszego produktu razem z odpadami domowymi. W celu utylizacji produktu, należy przeprowadzić, zgodnie z lokalnie obowiązującymi przepisami, zbiórkę selektywną lub zwrócić produkt do sprzedawcy w chwili zakupu nowego, równoważnego produktu.

**⚠ UWAGA! - Lokalne przepisy mogą przewidywać poważne kary w przypadku nielegalnej utylizacji niniejszego produktu.**

## 8 PARAMETRY TECHNICZNE

**⚠** Zamieszczona charakterystyka techniczna odnosi się do temperatury otoczenia wynoszącej 20°C (± 5°C). • Firma Nice S.p.A. zastrzega sobie prawo do wprowadzania zmian produktu w którejkolwiek chwili, gwarantując jego funkcjonalność i przewidziane zastosowanie.

### CENTRALA ELEKTRONICZNA MC200

<b>Zasilanie:</b>	od: 120 V $\sim$ 50/60 Hz do: 230 V $\sim$ 50/60 Hz
<b>Maksymalna moc silnika:</b>	450 W (jeśli zasilanie 120 V); 950 W (jeśli zasilanie 230 V)
<b>Napięcie sygnałów sterujących:</b>	około 24 V $\text{---}$
<b>Usługi (zaciski 8-9):</b>	napięcie około 24 V $\text{---}$ ; prąd maks. 100 mA
<b>Wejście bezpieczeństwa:</b>	w konfiguracji ze stałą rezystancją, musi wynosić 8,2k $\Omega$
<b>Temperatura robocza:</b>	-20 °C ... +55 °C
<b>Wymiary (mm):</b>	118 x 52 x 147
<b>Masa (g):</b>	300
<b>Stopień ochrony IP:</b>	44

### ODBIORNIK RADIOWY (wbudowany w centralę)

<b>Częstotliwość:</b>	433.92 MHz
<b>Kodowanie radiowe:</b>	FLOR, O-CODE, SMILO



# Deklaracja zgodności UE (Nr 629/MC200) i deklaracja włączenia „maszyny nieukończonyj”

**Uwaga:** Zawartość niniejszej deklaracji zgodności odpowiada oświadczeniom znajdującym się w oficjalnym dokumencie złożonym w siedzibie firmy Nice S.p.A., w szczególności ostatnim zmianom dostępnym przed wydrukowaniem niniejszej instrukcji. Niniejszy tekst został dostosowany w celach wydawniczych. Kopię oryginalnej deklaracji można uzyskać w siedzibie spółki Nice S.p.A. (TV) Italy.

**Wydanie: 0; Język: PL**

- **Nazwa Producenta:** Nice S.p.A.
- **Adres:** Via Pezza Alta n°13, 31046 Rustignè di Oderzo (TV) Italy
- **Osoba upoważniona do sporządzenia dokumentacji technicznej:** Nice S.p.A. - Via Pezza Alta n°13, 31046 Rustignè di Oderzo (TV) Italy
- **Typ produktu:** Centrala sterująca do 1 silnika 230 V~
- **Model/Typ:** MC200
- **Urządzenia dodatkowe:** Sterowniki radiowe serii FLOR, O-CODE, SMI-LO

Niżej podpisany, Roberto Griffa, Chief Executive Officer, oświadcza na własną odpowiedzialność, że wyżej wymieniony produkt jest zgodny z następującymi dyrektywami:

- **Dyrektywa 2014/53/UE (RED)**
  - Ochrona zdrowia (art. 3(1)(a)): EN 62479:2010
  - Bezpieczeństwo elektryczne (art. 3(1)(a)): EN 60950-1:2006 + A11:2009 + A12:2011 + A1:2010 + A2:2013
  - Kompatybilność elektromagnetyczna (art. 3(1)(b)): EN 301 489-1 V2.2.0:2017; EN 301 489-3 V2.1.1:2017
  - Widmo radiowe (art. 3(2)): EN 300 220-2 V3.1.1:2017

Ponadto, produkt jest zgodny z następującą dyrektywą w zakresie wymagań


dotyczących „maszyn nieukończonych” (Załącznik II, część 1, sekcja B):

- **Dyrektywa 2006/42/WE** PARLAMENTU EUROPEJSKIEGO I RADY z dnia 17 maja 2006 roku, dotycząca maszyn, zmieniająca dyrektywę 95/16/WE (przekształcenie).
  - Niżej podpisany deklaruje, że stosowna dokumentacja techniczna została sporządzona zgodnie z załącznikiem VII B dyrektywy 2006/42/WE oraz, że spełnione zostały następujące wymagania podstawowe: 1.1.1 - 1.1.2 - 1.1.3 - 1.2.1 - 1.2.6 - 1.5.1 - 1.5.2 - 1.5.5 - 1.5.6 - 1.5.7 - 1.5.8 - 1.5.10 - 1.5.11
  - Producent zobowiązuje się do przekazania władzom krajowym, w odpowiedzi na uzasadnione zapytanie, informacji dotyczących „maszyny nieukończonyj”, zachowując całkowicie swoje prawa do własności intelektualnej.
  - Jeżeli „maszyna nieukończonyj” zostanie przekazana do eksploatacji w kraju europejskim, którego język urzędowy jest inny niż język niniejszej deklaracji, importer ma obowiązek dołączyć do niniejszej deklaracji stosowne tłumaczenie.
  - Ostrzegamy, że „maszyny nieukończonyj” nie należy uruchamiać do czasu, kiedy maszyna końcowa, do której zostanie włączona, nie uzyska deklaracji zgodności (jeżeli wymagana) z założeniami dyrektywy 2006/42/WE.

Ponadto, produkt jest zgodny z następującymi normami:  
EN 61000-6-2:2005; EN 61000-6-3:2007 + A1:2011;  
EN 60335-1:2012 + A11:2014; EN 62233:2008

**Miejsce i Data:** Oderzo, 05.09.2017

Inż. **Roberto Griffa**  
(Chief Executive Officer)



## ALGEMENE WAARSCHUWINGEN: VEILIGHEID - INSTALLATIE - GEBRUIK (Instructies, vertaald uit het Italiaans)

**⚠** De hierop volgende aanbevelingen zijn direct overgenomen uit de Normen en kunnen, voor zover mogelijk, worden toegepast op het beschreven product

**LET OP** Belangrijke aanwijzingen voor de veiligheid. Volg alle voorschriften op, want een niet-correct uitgevoerde installatie kan ernstige schade veroorzaken

**LET OP** Belangrijke aanwijzingen voor de veiligheid. Het is belangrijk dat deze instructies worden opgevolgd voor de veiligheid van personen. Bewaar deze instructies

- Voordat u met de installatie begint, dient u de “Technische kenmerken van het product” te controleren, in het bijzonder of dit product geschikt is voor het automatiseren van uw geleide onderdeel. Als het product niet geschikt is, mag u NIET overgaan tot de installatie
- Het product mag niet worden gebruikt voordat de inbedrijfstelling heeft plaatsgevonden zoals gespecificeerd in het hoofdstuk “Eindtest en inbedrijfstelling”

**LET OP** Volgens de meest recente Europese wetgeving moet het uitvoeren van een automatisering voldoen aan de geharmoniseerde normen van de geldende Machinerichtlijn, waarbij een verklaring van de conformiteit van de automatisering afgegeven kan worden. In verband hiermee mogen alle werkzaamheden voor de aansluiting op de elektrische voeding, de eindtest, de inbedrijfstelling en het onderhoud van het product uitsluitend worden uitgevoerd door een gekwalificeerd, deskundig monteur!

- Voordat u met de installatie van het product begint, dient u te controleren of al het te gebruiken materiaal in optimale staat is en geschikt voor gebruik
- Het product is niet geschikt om gebruikt te worden door personen (kinderen inbegrepen) met fysieke, zintuiglijke of mentale beperkingen of personen die onvoldoende kennis en/of ervaring hebben
- Kinderen mogen niet met het apparaat spelen
- Laat kinderen niet met de bedieningselementen van het product spelen. Houd de afstandsbedieningen buiten het bereik van kinderen

**LET OP** Om ieder risico op onvoorziën heropstarten van het thermische onderbrekingsmechanisme te vermijden, mag dit apparaat niet worden gevoed via een externe regelaar zoals een timer, noch worden aangesloten op een circuit dat regelmatig wordt in- of uitgeschakeld

- Op de netvoeding van de installatie moet een stroomonderbreker worden aangesloten (niet meegeleverd) met een openingsafstand van de contacten waarbij volledige uitschakeling mogelijk is bij de condities die gelden voor overspanningscategorie III
- Behandel het product tijdens de installatie met zorg en voorkom dat het wordt geplet, dat er tegen wordt gestoten, dat het valt of dat het in aanraking komt met welke vloeistoffen dan ook. Zet het product niet in de buurt van warmtebronnen en stel het niet bloot aan open vuur. Hierdoor kan het beschadigd worden, waardoor storingen of gevaarlijke situaties kunnen ontstaan. Als dit toch gebeurt, stop dan onmiddellijk met de installatie en neem contact op met de klantenservice
- De fabrikant is niet aansprakelijk voor materiële schade, zowel aan personen als aan voorwerpen, die voortvloeit uit de niet-naleving van de montage-instructies. In die gevallen vervalt de garantie op materiaalfouten
- Reinigings- en onderhoudswerkzaamheden die door de gebruiker kunnen worden uitgevoerd, mogen niet worden toevertrouwd aan kinderen die niet onder toezicht staan
- Voordat u werkzaamheden aan de installatie uitvoert (onderhoud, reiniging), moet het product altijd worden losgekoppeld van de netvoeding
- Het verpakkingsmateriaal van het product moet volgens de plaatselijke voorschriften worden verwerkt
- Controleer de automatisering tijdens de uitvoering van het manoeuvre en houd personen op enige afstand tot de beweging voltooid is
- Bedien het product niet als er personen in de buurt zijn die werkzaamheden op de automatisering uitvoeren; koppel de elektrische voeding los alvorens deze werkzaamheden te laten uitvoeren

## 1 BESCHRIJVING VAN HET PRODUCT EN GEBRUIKSBESTEMMING

**MC200** is een elektronische besturingseenheid waarmee een motor bestemd voor de automatisering van een luik, een kantelport, een sectio-naalpoort, een rolluik of andere gelijkaardige toepassingen bediend en bestuurd kan worden.

**⚠ LET OP! - Elk ander gebruik dan in deze handleiding is beschreven of dat plaatsvindt in andere omgevingscondities dan in deze handleiding worden beschreven, moet als oneigenlijk en verboden worden beschouwd!**

Functionele kenmerken:

- wordt aangesloten op het elektriciteitsnet (zie de gegevens in het hoofdstuk “Technische kenmerken van het product”);
- wordt geprogrammeerd via de instelling van 8 DIP-switches;
- is voorzien van een ingebouwde radio-ontvanger waarmee de automatisering via een radiozender bediend kan worden;
- op de besturingseenheid kunnen diverse accessoires aangesloten worden zoals: een paar fotocellen, een knipperlicht (met netspanningsvoeding) voor lichtsignalen, een knop aan de wand om de automatisering te bedienen via “stap-voor-stap”-instructies, een externe radioantenne, een contactlijst enz.
- is voorzien van een connector type “IBT4N” die compatibel is met de IBT4N-interface en de aansluiting mogelijk maakt van alle inrichtingen met een BusT4-interface zoals bv. de programmeereenheid Oview.

## 2 GEBRUIKSLIMIETEN

- De MC200 bedieningseenheid kan alleen met een asynchrone en eenfasige motor gebruikt worden. De motor moet: **a)** via het elektriciteitsnet gevoed worden en voor dezelfde spanning als die van de besturingseenheid gedimensioneerd zijn; **b)** met een thermische beveiliging uitgerust zijn; **c)** met een elektromechanische inrichting uitgerust zijn die de beweging ervan beperkt (eindaanslag); **d)** geleverd worden met aansluitingen met 3 geleiders: “Algemeen”, “Openen”, “Sluiten”.
- De in de besturingseenheid ingebouwde radio-ontvanger laat het exclusief gebruik toe van zenders die de protocollen voor radiocodering **FLOR**, **O-CODE** of **SMILO** (standaarden van Nice) gebruiken.
- Verdere gebruikslimieten worden vermeld in het hoofdstuk “Technische kenmerken van het product”.

## 3 INSTALLATIE

**⚠ Belangrijk!** - Neem voordat u het product installeert de respectieve gebruikslimieten in de hoofdstukken 2 en 7 door.

**⚠ Verzekert u ervan dat de temperatuur geschikt is voor het type toepassing.**

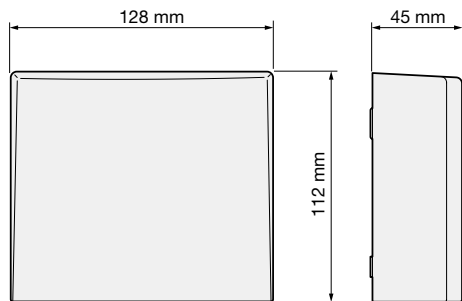
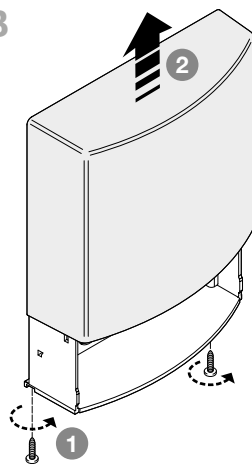
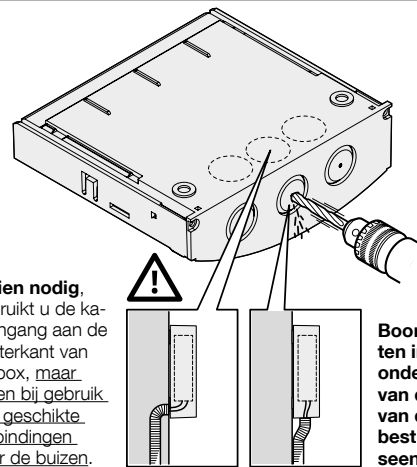
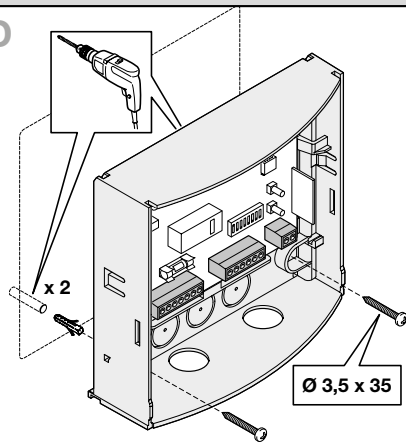
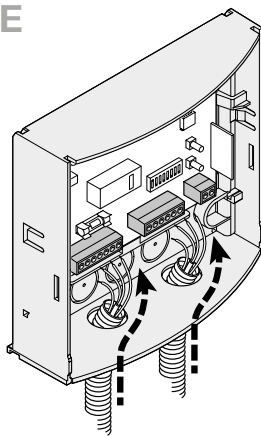
**⚠ Het product mag niet buitenshuis worden geïnstalleerd.**

**⚠ Wanneer u in de box van de besturingseenheid de boorgaten voor de doorvoer van de kabels aanbrengt (afb. 1-C), is het belangrijk te weten dat de kabels altijd in het onderste deel van de box ingevoerd moeten worden. Neem verder de nodige maatregelen om de op basis van het installatietype vereiste IP-beschermingsklasse (IP 44) te waarborgen.**

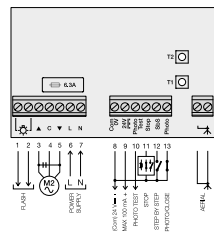
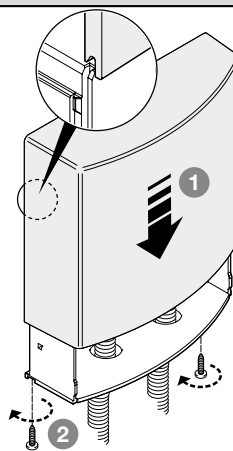
**⚠ Prepareer, voordat u het product gaat installeren, de elektriciteitskabels die nodig zijn voor de installatie, zie afb. 2b en “Tabel 1 - Technische specificaties van de elektriciteitskabels”.**

**⚠ Let op!** – Bij het leggen van de buizen ter bescherming van de elektriciteitskabels en de invoer van de kabels in de behuizing van de besturingseenheid is het belangrijk te weten dat de kabelbeschermbuizen door mogelijke ophopingen van water in de verdeelschachten voor waterdamp kunnen zorgen in de besturingseenheid, wat de elektronische circuits kan beschadigen.

Raadpleeg voor de installatie van de besturingseenheid **afb. 1**.

**1****A****B****C****D****E****F**

**Elektrische  
aansluitingen.**  
Zie hoofdstuk 4

**G**

NL

## 4 ELEKTRISCHE AANSLUITINGEN

**⚠ LET OP!** – Alle elektrische aansluitingen moeten worden uitgevoerd met de elektrische voeding uitgeschakeld. Verkeerde aansluitingen kunnen schade aan apparatuur of letsel bij personen veroorzaken.

**⚠ LET OP!** – De werkzaamheden voor de aansluiting mogen uitsluitend door gekwalificeerd personeel worden uitgevoerd.

### 4.1 - Voorbereiding van de elektriciteitskabels voor de aansluiting van de inrichtingen op de besturingseenheid (Tabel A)

**Tabel A** - Kenmerken van de elektriciteitskabels voor de aansluitingen

Aan te sluiten inrichting	Kabeldoorsnede	Maximale lengte van de kabel
VOEDING VOOR DE BESTURINGSEENHEID	1 kabel: 2 x 1,5 mm <sup>2</sup>	30 m <b>(*1)</b>
KNIPPERLICHT MET RADIOANTENNE	1 kabel: 2 x 1,5 mm <sup>2</sup> (voor het lampje) 1 afgeschermd kabel type RG58 (voor de antenne)	20 m 20 m (aanbevolen lengte < 5 m)
INRICHTINGEN AANGESLOTEN OP DE KLEMMEN 8-9-10-11-12-13	6 kabels: 1 x 0,5 mm <sup>2</sup> <b>(*2)</b>	50 m
VOEDING VOOR DE MOTOR	3 kabels: 1 x 1,5 mm <sup>2</sup>	10 m

**(\*1)** – Als de voedingskabel langer dan 30 m is, is een kabel met een grotere doorsnede nodig, bv. 2 x 2,5 mm<sup>2</sup>.  
**(\*2)** – Deze 6 kabels kunnen worden vervangen door 1 enkele kabel van 6 x 0,5 mm<sup>2</sup>.

**LET OP!** – De gebruikte kabels moeten geschikt zijn voor het type omgeving waar de automatisering geïnstalleerd wordt.

### 4.2 - Lijst van de onderdelen waaruit de besturingseenheid bestaat

Om tijdens de opeenvolgende fasen van de aansluiting en de programmering van de besturingseenheid de in de tekst vermelde componenten te identificeren, kunt u **afb. 2** en de bijbehorende legenda raadplegen.

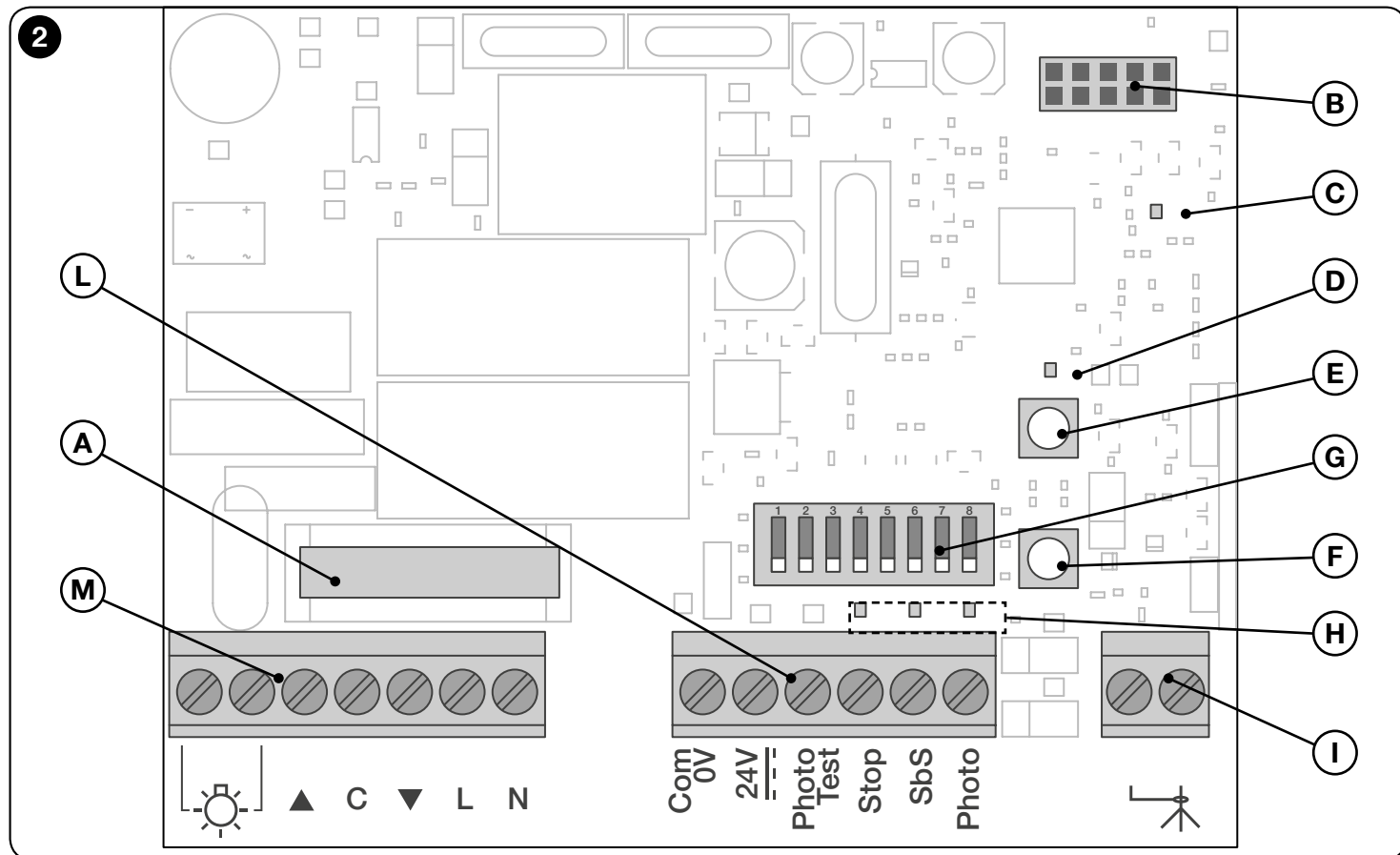
- A** - Lijnzekerings (6,3 A)
- B** - Connector voor de invoer van de IBT4N-interface
- C** - Led "OK"
- D** - Led "radio"
- E** - T2-knop voor de opslag van een zender en voor het wissen van een zender of van het volledige geheugen van de besturingseenheid
- F** - T1-knop voor de programmering en voor het verzenden van de "Stap-voor-stap"-instructies
- G** - DIP-switches voor de programmering van de functies

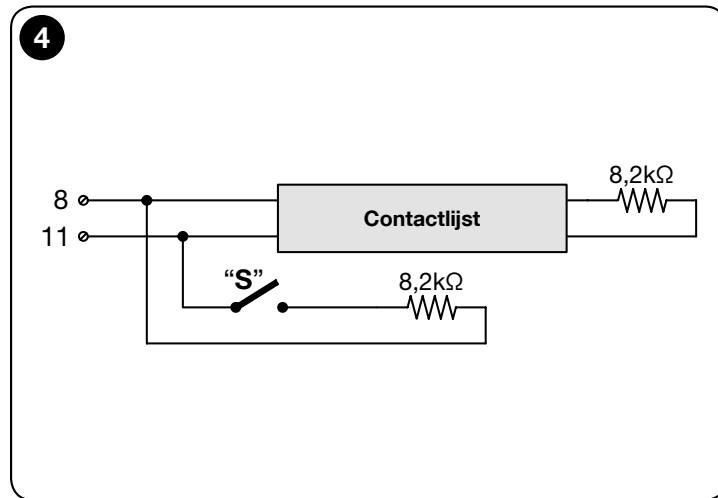
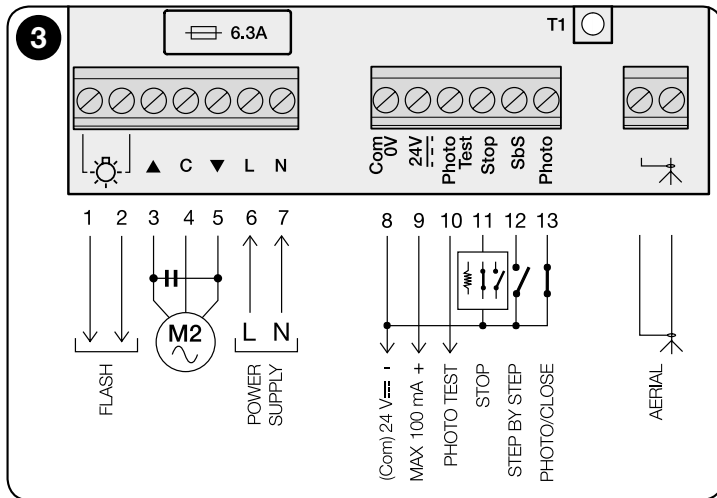
**H** - Led-ingangen ("Stop", "SbS", "Foto")

**I** - Klemmen voor radioantenne

**L** - Klemmen voor de ingangen op laagspanning

**M** - Klemmen voor de aansluiting van de voedingslijn en voor de motor





## 4.3 - Basisaansluitingen

### • Aansluiting van de motor op de MC200-besturingseenheid

Sluit de 3 geleiders afkomstig van de motor (Fase omhoog, Algemeen, Fase omlaag) respectievelijk aan op de **klemmen 3, 4 en 5** van de besturingseenheid, zoals aangegeven in **afb. 3**.

**LET OP! Voordat u de motor aansluit, moet u zich er absoluut van overtuigen dat de geleider die aan klem 3 aangesloten wordt, de poort laat OPENEN, dat de geleider die aan klem 5 aangesloten wordt, de poort laat SLUITEN en dat de geleider die aan klem 4 aangesloten wordt, de ALGEMENE geleider is.**

**Let op!** – Sluit niet langer motoren parallel op eenzelfde besturingseenheid aan, als dat niet uitdrukkelijk voorzien is in de handleiding van de motor; gebruik eventueel de daartoe bestemde uitbreidingsmodules.

### • Aansluiting van de voeding op de MC200-besturingseenheid

Sluit de 2 draden afkomstig van het elektriciteitsnet (Fase en Nul) respectievelijk aan op de **klemmen 6 en 7** van de besturingseenheid, zoals aangegeven in **afb. 3**.

### • Aardverbinding van de motor

**Let op!** - Om te voldoen aan de eisen inzake elektrische veiligheid volgens de klasse waartoe het product behoort (klasse II), moet voor de motor verplicht een aardverbinding voorzien worden, **buiten de MC200-besturingseenheid**.



## 4.4 - Aansluiting van de accessoires

Voor de aansluiting van de voorziene accessoires verwijzen wij naar **Tabel B, afb. 3** en de respectieve handleidingen van de accessoires. In **Tabel B** worden alle accessoires vermeld die op de klemmen van de besturingseenheid aangesloten kunnen worden, alsook de specifieke gegevens voor de uitvoering van de elektrische aansluitingen. Voordat u hiermee start, dient u de tabel en de bijbehorende opmerkingen aandachtig te lezen. **Opmerking** – Aangezien enkele ingangen verschillende functies bieden voor de aansluiting van de accessoires, zal u de DIP-switches na de uitvoering van de aansluitingen in functie van de aangesloten accessoires moeten instellen (zie hoofdstuk 5 - Programmering).

**Tabel B** - Functie van de klemmen (ingangen en uitgangen)

Klemmen	Beschrijving van de functie
1 - 2	<b>Uitgang</b> voor een knipperende signaleringslamp op netspanning.
3 - 4 - 5	<b>Uitgang</b> voor de bediening van de motor (openen, algemeen, sluiten).
6 - 7	<b>Ingang</b> voor de voedingslijn afkomstig van het elektriciteitsnet (fase, nul).
8	Verwijzing naar 0 volt voor de geleider "Algemeen" van de inrichtingen aangesloten op de klemmen <b>9, 10, 11, 12</b> en <b>13</b> .
9	<b>24 V-uitgang.</b> Uitgang voor de diensten (bv. de fotocellen) met 24 V-voeding=== (laagspanning): max. opneembare stroom: 100 mA.
10	<b>Uitgang Foto Test.</b> 24 V-uitgang=== voor een transmissiefotocel (TX), of voor een controlelampje Poort Open. Max. opneembare stroom: 50 mA.
11	<b>Ingang Stop.</b> Ingang voor de veiligheidsinrichtingen met constante weerstand van 8,2 k $\Omega$ (contactlijst enz.).
12	<b>Ingang SbS.</b> Ingang voor een normaal geopende of NA-knop, voor de verzending van instructies met de modaliteit Stap-voor-stap.
13	<b>Ingang Foto.</b> Ingang voor een normaal gesloten (NC) ontvangsfotocel (RX), of voor een normaal geopende of NA-knop.
14 - 15	<b>Ingang</b> voor een radio-ontvangstantenne.

## 4.5 - Beheer van de uitgang "Foto Test" en van de ingangen "Stop", "SbS", "Foto"

### 4.5.1 - Uitgang Foto Test (klem 10)

Deze uitgang moet met programmeer-DIP-switch **7** op basis van het aangesloten inrichtingstype geconfigureerd worden: bij aansluiting van een transmissiefotocel (TX) moet de DIP-switch op ON ingesteld worden; wordt daarentegen een controlelampje Poort Open aangesloten, dan moet de DIP-switch op OFF ingesteld worden.

**OPMERKINGEN** • Als op deze uitgang een controlelampje Poort Open aangesloten wordt, moet de TX-fotocel op klem **9** aangesloten worden.

• De signaleringen van het controlelampje Poort Open hebben de volgende betekenissen:

controlelampje uit = poort gesloten; controlelampje aan = poort geopend; traag knipperend = poort tijdens het openen; snel knipperend = poort tijdens het sluiten.

#### 4.5.2 - Ingang Stop (klem 11)

Deze ingang moet met programmeer-DIP-switch **1 - 2** op basis van het aangesloten inrichtingstype geconfigureerd worden: normaal gesloten contacten (NC), normaal geopende contacten (NA) of contacten met constante weerstand (8,2 kΩ). **Let op!** - Alleen het gebruik van een contact met constante weerstand samen met de instelling OFF+OFF van de DIP-switches **1 - 2** garandeert het minimale weerstandsniveau tegen storingen, zoals in de normen vereist. De activering van de op de ingang Stop aangesloten inrichting zorgt doorgaans voor de onmiddellijke stopzetting van de motorbeweging, met een korte omkering van het manoeuvre (selecteerbaar met DIP-switch **3**). Om deze omkering bij de activering van de veiligheidsinrichting te deactiveren (bv. wanneer de contactlijst de vloer raakt), kan een **“S”**-contact (met een serieel aangesloten weerstand van 8,2 kΩ) gebruikt worden voor parallelle aansluiting op de contactlijst (zie **afb. 4**). Het **“S”**-contact moet zo gepositioneerd worden dat het in de laatste 30/40 mm van het sluitmanoeuvre gesloten wordt, voordat de contactlijst geactiveerd wordt. Hierdoor, wanneer het **“S”**-contact gesloten worden en de contactlijst geactiveerd wordt (bv. door de vloer), blokkeert de automatisering zonder het manoeuvre om te keren en blijft de poort volledig gesloten. In deze toestand laat het systeem alleen de bediening van het openingsmanoeuvre toe. De status van de Stop-ingang wordt door de **“Stop”**-Led gemeld, met de betekenissen zoals vermeld in **Tabel C**.

<b>Tabel C - Status van de “STOP”-ingang gemeld door de relatieve Led</b>	
<b>Signalering van de “Stop”-Led</b>	<b>Betekenis (status van de Stop-ingang)</b>
<b>Aan</b>	Actief (toestemming voor manoeuvre)
<b>Uit</b>	Niet-actief (manoeuvre geblokkeerd)
<b>50 % aan + 50 % uit</b>	Omkering gedeactiveerd
<b>20 % aan + 80 % uit</b>	Niet-actief, met omkering gedeactiveerd (alleen openingsmanoeuvre toegestaan)

#### 4.5.3 - Ingang SbS (klem 12)

Bij iedere druk op de knop die op deze ingang aangesloten is, voert het systeem de instructie volgend op de laatst verzonden instructie uit, volgens een in de fabriek ingestelde sequentie die programmeerbaar is met DIP-switch 5 (bv. > openen > stop > sluiten > stop > opnieuw van voren af aan ...). Als de bedieningsknop lang ingedrukt wordt (4 tot 10 seconden), geeft het systeem altijd opdracht tot een openingsmanoeuvre; wordt er echter langer dan 10 seconden op deze knop gedrukt, dan geeft het systeem altijd opdracht tot een sluitmanoeuvre. Deze bijzondere functie kan interessant zijn bij meerdere bedieningseenheden, wanneer u deze tegelijkertijd wilt bedienen en u de respectieve poorten hetzelfde manoeuvre wilt laten uitvoeren, los van de actuele status van elke bedieningseenheid op zich.

#### 4.5.4 - Ingang Foto (klem 13)

Deze ingang moet met programmeer-DIP-switch **4** op basis van het aangesloten inrichtingstype geconfigureerd worden: bij aansluiting van een normaal gesloten (NC) ontvangstfotocel (RX) moet de DIP-switch op OFF ingesteld worden; wordt daarentegen een normaal geopende of NA-knop aangesloten, dan moet de DIP-switch op ON ingesteld worden. **Opmerking** – Bij aansluiting van een normaal gesloten (NC) ontvangstfotocel (RX) kan bij gebrek aan toestemming alleen het openingsmanoeuvre uitgevoerd worden.

## 5 PROGRAMMERING

**BELANGRIJK!** - Na uitvoering van alle aansluitingen moet u de spanning naar de besturingseenheid inschakelen en de programmeringen uitvoeren door de acht DIP-switches op de kaart in te stellen op basis van de typologie van de aangesloten inrichtingen en van de functies die u wenst te activeren of te deactiveren. Voor de uitvoering van de programmeringen verwijzen we naar Tabel D.

**Tabel D** - Instelling van de DIP-switches

DIP-switch	Instelling	Beschrijving van de ingestelde functie
Switch 1 - 2	(1) <b>OFF</b> ; (2) <b>OFF</b>	Activeert de Stop-ingang voor de aansluiting van een contact met constante weerstand 8,2 kΩ, <u>zonder de knop "S" die de omkering uitsluit</u> (zie <b>afb. 4</b> )
	(1) <b>OFF</b> ; (2) <b>ON</b>	Activeert de Stop-ingang voor de aansluiting van een contact met constante weerstand 8,2 kΩ, <u>met de knop "S" die tussenkomt op 30/40 mm van de eindaanslag om de omkering uit te sluiten</u> (zie <b>afb. 4</b> )
	(1) <b>ON</b> ; (2) <b>OFF</b>	Activeert de Stop-ingang voor de aansluiting van een normaal geopend of NA-contact
	(1) <b>ON</b> ; (2) <b>ON</b>	Activeert de Stop-ingang voor de aansluiting van een normaal gesloten of NC-contact
Switch 3	<b>OFF</b>	Activeert de Stop-ingang om het actieve manoeuvre te stoppen en <u>een korte omkering van de beweging</u> uit te voeren
	<b>ON</b>	Activeert de Stop-ingang om het actieve manoeuvre te stoppen
Switch 4	<b>OFF</b>	Activeert de Foto-ingang voor de aansluiting van fotocellen
	<b>ON</b>	Activeert de Foto-ingang om als sluitinstructie gebruikt te worden
Switch 5	<b>OFF</b>	Activeert de volgende cyclische instructies, van het type Stap-voor-stap: > Openen > Stop > Sluiten > Stop > (opnieuw van voren af aan ...)
	<b>ON</b>	Activeert de volgende cyclische instructies, van het type Stap-voor-stap: > Openen > Stop > (opnieuw van voren af aan ...)
Switch 6	<b>OFF</b>	Deactiveert de woonblokfunctie
	<b>ON</b>	Activeert de woonblokfunctie
Switch 7	<b>OFF</b>	Activeert de functie "Controlelampje Poort Open"
	<b>ON</b>	Activeert de functie Foto Test
Switch 8	<b>OFF</b>	Deactiveert de "pauzetijd" voor de automatische hersluiting van de poort, na een openingsinstructie
	<b>ON</b>	Activeert de "pauzetijd" voor de automatische hersluiting van de poort, na een openingsinstructie

## 5.1 - Bijkomende informatie over enkele programmeerbare functies en opties

### 5.1.1 - **DIP-switch 1 en 2** (voor de Stop-ingang)

Deze DIP-switches dienen om de Stop-ingang te programmeren op basis van de typologie van de veiligheidsinrichting die werd aangesloten:

- Contact met constante weerstand 8,2 kΩ, met omkering.
- Contact met constante weerstand 8,2 kΩ, zonder omkering.
- NA-contact (normaal geopend).
- NC-contact (normaal gesloten).

### 5.1.2 - **DIP-switch 5** (voor de SbS-ingang)

Al de SbS-ingang geprogrammeerd is met de reeks Stap-voor-stap-instructies: **> Openen > Stop > (opnieuw van voren af aan ...)**, zal het met DIP-switch 5 op ON tijdens het gebruik van de automatisering niet mogelijk zijn om de poort te laten sluiten. Deze instructie zal alleen gegeven kunnen worden door programmering van de automatische hersluiting (DIP-switch 8 op ON) of via een radiozender.

### 5.1.3 - **DIP-switch 6**

- **Tijdens een openingsmanoeuvre:** als de woonblokfunctie geactiveerd is (**DIP-switch 6 op ON**), wordt verhinderd dat de verzending van een openingsinstructie of van een “Stap-voor-stap”-instructie het manoeuvre tot stilstand brengt of het omkeert voordat het zijn respectieve eindaanslag heeft bereikt.
- **Tijdens een sluitmanoeuvre:** als de woonblokfunctie geactiveerd is (**DIP-switch 6 op ON**), zorgt de verzending van een openingsinstructie of van een “Stap-voor-stap”-instructie ervoor dat het manoeuvre tot stilstand komt en de beweging omgekeerd wordt, zodat de poort opnieuw geopend wordt.

## 5.2 - Opslag van de instellingen van de DIP-switches

Nadat alle DIP-switches ingesteld zijn (of telkens wanneer u de instelling van één of meer DIP-switches achteraf wilt wijzigen), moeten de uitgevoerde instellingen in de besturingseenheid opgeslagen worden. Daartoe gaat u als volgt te werk: zodra de **Led “OK”** begint te knippen (groen/rood), betekent dit dat één of meer DIP-switches gewijzigd zijn. Om nu de nieuwe instelling op te slaan, houdt u de **knop T1** op de besturingseenheid ingedrukt totdat de **Led “OK” permanent groen blijft branden**. Laat daarna de toets los.

## 5.3 - Programmering van de “bedrijfstijd” van de motor en van de “pauzetijd” voor de automatische hersluiting

De “bedrijfstijd” en de “pauzetijd” zijn twee basisparameters van de besturingseenheid en worden na elkaar geprogrammeerd, volgens dezelfde procedure. Deze parameters kunnen alleen geprogrammeerd worden nadat alle DIP-switches ingesteld en opgeslagen zijn.

- **Wat is de “bedrijfstijd”?** Dit is de maximale tijd dat de besturingseenheid de motor blijft voeden vanaf het ogenblik waarop een instructie wordt verzonden. Deze tijd moet volstaan om het manoeuvre door de motor te laten uitvoeren (bereiken van de eindaanslag). De fabrieksin-

stelling (of na het wissen van het volledige geheugen) bedraagt 120 seconden. Toch is het mogelijk om deze waarde te wijzigen en een andere tijd variërend van 5 seconden (minimum) tot 120 seconden (maximum) te programmeren. De procedure voorziet de meting in automatische herkenning van de tijd die de motor nodig heeft om een manoeuvre te voltooien. Om die reden moet het meest belastende manoeuvre voor de motor (en dus het traagste) worden gemeten; doorgaans is dat de start van de beweging vanuit een eindaanslag. **Let op!** - We raden aan een iets langere tijd (enkele seconden) te programmeren dan de tijd die nodig is om het manoeuvre te voltooien.

• **Wat is de “pauzetijd”?** Dit is de tijd dat de besturingseenheid wacht alvorens de poort opnieuw te sluiten nadat de gebruiker de openingsinstructie heeft verzonden (functie: automatische hersluiting). De pauzetijd kan geprogrammeerd worden van 5 seconden (minimaal) tot 120 seconden (maximaal). De pauzetijd kan ook volledig gewist worden om de automatische hersluiting te deactiveren.

#### Om de “bedrijfstijd” en de “pauzetijd” op te slaan

- 01.** Breng de poort in de eindaanslag **Onder**.
- 02.** Druk de toets **T1** op de besturingseenheid in en houd deze ingedrukt: zodra de motor naar de eindaanslag **Boven** vertrekt, begint u 5 seconden af te tellen. Na deze 5 seconden begint de besturingseenheid de duur van het manoeuvre op te slaan;
- 03.** Blijf de toets **T1** ingedrukt houden; wacht tot het manoeuvre de eindaanslag **Boven** bereikt heeft; wacht nog enkele seconden en laat daarna de toets los. De motor komt tot stilstand en de besturingseenheid slaat de net bepaalde, nieuwe **bedrijfstijd** op.
- 04.** 2 seconden nadat de motor gestopt is, drukt u op de toets **T1** op de besturingseenheid in en houdt u deze ingedrukt: nu start de opmeting van de **pauzetijd**.
- 05.** Laat de toets **T1** los zodra de door u gewenste tijd is verstreken (maximaal 120 seconden); de besturingseenheid geeft de motor de opdracht om een **manoeuvre Omlaag** te starten en intussen slaat ze de **net gemeten tijd** op. Deze tijd zal achteraf gebruikt worden voor de automatische hersluiting van de poort.

**BELANGRIJK** - De geprogrammeerde pauzetijd wordt alleen uitgevoerd als DIP-switch 8 op ON is ingesteld.

#### Om de “bedrijfstijd” en de “pauzetijd” te wijzigen

- 01.** Indien u alleen de “bedrijfstijd” wilt wijzigen, herhaalt u de procedure van bij het begin en stopt u bij stap 4.

#### Om de “pauzetijd” te deactiveren

- 01.** Indien u de automatische hersluiting wilt deactiveren en dus de pauzetijd wilt wissen, moet u de procedure van bij het begin herhalen en bij stap 4 stoppen. Alternatief kan de automatische hersluiting ook gedeactiveerd worden door DIP-switch 8 op OFF in te stellen.

## 5.4 - De zenders opslaan

De in de besturingseenheid ingebouwde radio-ontvanger is compatibel met alle zenders die de protocollen voor radiocodering **FLOR, O-CODE** of **SMILO** (standaarden van Nice) gebruiken.

### 5.4.1 - Twee modi voor opslag van de toetsen van de zenders

Van de beschikbare procedures om zenders op te slaan, zijn er enkele waarmee de zenders in “standaard”-modus (of modus 1) en andere waarmee de zenders in “gepersonaliseerde”-modus (of modus 2) opgeslagen kunnen worden.

#### • **STANDAARD opslaan (ook “Modus 1” genoemd)**

De procedures van dit type bieden de mogelijkheid om tijdens hun uitvoering tegelijkertijd alle toetsen op de zender op te slaan. Het systeem koppelt automatisch aan iedere toets een in de fabriek vooraf vastgelegde instructie volgens het onderstaande schema:

Instructie	Toets
<b>Nr. 1 - Omhoog</b>	wordt gekoppeld aan de <b>1e toets / toets 1 / toets ▲</b>
<b>Nr. 2 - Stop</b>	wordt gekoppeld aan de <b>2e toets / toets 2 / toets ■</b>
<b>Nr. 3 - Omlaag</b>	wordt gekoppeld aan de <b>3e toets / toets 3 / toets ▼</b>
<b>Nr. 4 - Stap-voor-stap</b>	wordt gekoppeld aan de <b>4e toets / toets 4</b> (als deze toets op de zender voorkomt).
<b>Opmerking</b> - De toetsen van de zenders worden doorgaans aan de hand van symbolen of cijfers geïdentificeerd. Als u deze niet op uw zender terugvindt, verwijzen wij u naar <b>afb. 5</b> om te bepalen welke de 1e toets, de 2e toets enz. is.	

#### • **GEPERSONALISEERD opslaan (ook “Modus 2” genoemd)**

De procedures van dit type bieden de mogelijkheid om tijdens hun uitvoering één enkele toets van alle toetsen op de zender op te slaan; daarbij wordt deze toets aan een van de volgende beschikbare instructies gekoppeld: **Omhoog, Stop, Omlaag, Stap-voor-stap**. De toets en de daaraan te koppelen instructie worden gekozen door de installateur op basis van de eisen van de automatisering.

### 5.4.2 - Aantal zenders die in het geheugen kunnen worden opgeslagen

De ontvanger van de besturingseenheid telt **192 opslagplaatsen**. Op één opslagplaats kan ofwel één enkele zender (m.a.w. alle toetsen en instructies ervan) opgeslagen worden, ofwel één enkele toets met de bijbehorende instructie.

## — PROCEDURES —

**LET OP!** - Om de **procedures A, B, C, D, F** te kunnen uitvoeren, moet het geheugen van de besturingseenheid **gedeblokkeerd** zijn. Als het geblokkeerd is, voert u **procedure G** uit om het te deblokken.

## PROCEDURE A - Opslag van ALLE toetsen van één enkele zender (STANDAARD-modus of modus 1)

01.	Op de besturingseenheid: druk op <b>toets T2</b> en houd deze ingedrukt tot de <b>Led “radio”</b> oplicht; laat de toets vervolgens los.
02.	(binnen 10 seconden) <u>Op de zender die u wenst op te slaan</u> : houd eender welke toets ingedrukt en wacht tot de <b>Led “radio” 3(*)</b> maal lang knippert (= opslag correct uitgevoerd). Laat daarna de toets los.
03.	<b>Opmerking</b> - Nadat de Led 3 maal lang geknipperd heeft, hebt u nog 10 seconden om een volgende zender op te slaan (indien u dat wenst). Begin in dat geval van stap 02.

Na deze procedure zijn de toetsen van de zender gekoppeld aan de instructies zoals gespecificeerd in de beschrijving van modus 1 (paragraaf 5.4.1).

## PROCEDURE B - Opslag van EEN ENKELE TOETS van een zender (GEPERSONALISEERDE modus of modus 2)

01.	Kies in de onderstaande tabel de instructie die u aan de te bewaren toets wilt koppelen.										
	<table border="1"><thead><tr><th>Instructie kiezen</th><th>Om de instructie op te slaan ... (stap 02)</th></tr></thead><tbody><tr><td><b>Nr. 1 - Omhoog</b></td><td>... druk <b>1 maal</b> op toets T2.</td></tr><tr><td><b>Nr. 2 - Stop</b></td><td>... druk <b>2 maal</b> op toets T2.</td></tr><tr><td><b>Nr. 3 - Omlaag</b></td><td>... druk <b>3 maal</b> op toets T2.</td></tr><tr><td><b>Nr. 4 - Stap-voor-stap</b></td><td>... druk <b>4 maal</b> op toets T2.</td></tr></tbody></table>	Instructie kiezen	Om de instructie op te slaan ... (stap 02)	<b>Nr. 1 - Omhoog</b>	... druk <b>1 maal</b> op toets T2.	<b>Nr. 2 - Stop</b>	... druk <b>2 maal</b> op toets T2.	<b>Nr. 3 - Omlaag</b>	... druk <b>3 maal</b> op toets T2.	<b>Nr. 4 - Stap-voor-stap</b>	... druk <b>4 maal</b> op toets T2.
Instructie kiezen	Om de instructie op te slaan ... (stap 02)										
<b>Nr. 1 - Omhoog</b>	... druk <b>1 maal</b> op toets T2.										
<b>Nr. 2 - Stop</b>	... druk <b>2 maal</b> op toets T2.										
<b>Nr. 3 - Omlaag</b>	... druk <b>3 maal</b> op toets T2.										
<b>Nr. 4 - Stap-voor-stap</b>	... druk <b>4 maal</b> op toets T2.										
02.	Op de besturingseenheid: de <b>toets T2</b> zoveel maal indrukken en loslaten als aangegeven bij de vooraf in de bovenstaande tabel gekozen instructie.										
03.	(binnen 10 seconden) <u>Op de zender</u> : houd de toets die u wilt opslaan ingedrukt en wacht tot de <b>Led “radio” 3(*)</b> maal lang knippert (= opslag correct uitgevoerd). Laat daarna de toets los.										
04.	<b>Opmerking</b> - Nadat de Led 3 maal lang geknipperd heeft, hebt u nog 10 seconden om een volgende toets op te slaan (indien u dat wenst). Begin in dat geval van stap 01.										
<b>(*) - Opmerking bij de procedures A en B:</b> De Led “radio” kan ook de volgende signaleringen uitvoeren: <ul style="list-style-type: none"><li>- <b>1 maal snel knippen</b> als de zender al opgeslagen is.</li><li>- <b>6 maal knippen</b> als de radiocodering van de zender niet compatibel is met die van de ontvanger van de besturingseenheid.</li><li>- <b>8 maal knippen</b> als het geheugen vol is.</li></ul>											

## PROCEDURE C - Opslag van een zender aan de hand van een andere, al opgeslagen zender (opslag op afstand)

Via deze procedure kan een nieuwe zender opgeslagen worden aan de hand van een andere zender die al in dezelfde besturingseenheid is opgeslagen. Hierdoor gelden voor de nieuwe zender meteen dezelfde instellingen van de al opgeslagen zender. De uitvoering van deze procedure voorziet geen directe actie op de toets T2 van de besturingseenheid, maar alleen de gewone uitvoering binnen haar ontvangstbereik.

01.	Op de <b>te bewaren zender</b> : druk op de toets die u wilt opslaan, en houd deze ingedrukt.
02.	Op de besturingseenheid: na enkele seconden (ca. 5) licht de <b>Led “radio”</b> op. Laat de toets van de zender los.
03.	Op de <b>al opgeslagen zender</b> : <b>3 maal</b> de opgeslagen toets die u wilt kopiëren, indrukken en loslaten.
04.	Op de <b>te bewaren zender</b> : <b>1 maal</b> dezelfde toets als de in punt 01 ingedrukte toets indrukken en loslaten.

## PROCEDURE D - Eén enkele zender wissen (indien opgeslagen in modus 1) of één enkele toets van een zender wissen (indien opgeslagen in modus 2)

01.	Op de besturingseenheid: druk op <b>toets T2</b> en houd deze ingedrukt. – Na ca. 4 seconden begint de <b>Led “radio”</b> permanent te branden (blijf de toets ingedrukt houden).
02.	Op de zender die u uit het geheugen wilt wissen: druk op een toets(*) en houd deze ingedrukt tot de <b>Led “radio”</b> (op de besturingseenheid) 5 maal snel knippert (of 1 maal knippert als de zender of de toets niet opgeslagen is).
(*) <b>Opmerking</b> - Als de zender in <u>modus 1</u> opgeslagen is, kunt u op eender welke toets drukken, waarna de besturingseenheid de volledige zender wist. Als de zender in <u>modus 2</u> opgeslagen is, moet u op de opgeslagen toets drukken die u wilt wissen. Om nog andere in <u>modus 2</u> opgeslagen toetsen te wissen, herhaalt u de volledige procedure voor iedere toets die u wilt wissen.	

## PROCEDURE E - ALLE opgeslagen zenders wissen

01.	Op de besturingseenheid: druk op de <b>toets “radio”</b> en houd deze ingedrukt. – Na ca. 4 seconden begint de <b>Led “radio”</b> permanent te branden (blijf de toets ingedrukt houden). – Na ca. 4 seconden gaat de <b>Led “radio”</b> uit (blijf de toets ingedrukt houden).
02.	Wanneer de <b>Led “radio”</b> begint te knipperen, laat u deze 2 maal knipperen en vervolgens <u>laat u de toets los <b>precies op het ogenblik waarop de Led voor de 3e maal knippert.</b></u>
03.	Tijdens het wissen knippert de <b>Led “radio”</b> snel.
04.	Tot slot knippert de <b>Led “radio”</b> 5 maal snel om aan te geven dat het wissen correct is uitgevoerd.



## **PROCEDURE F - Het VOLLEDIGE geheugen wissen en de fabrieksinstellingen resetten**

<b>01.</b>	<u>Op de besturingseenheid</u> : druk op de <b>toets “radio”</b> en houd deze ingedrukt. – Na ca. 4 seconden begint de <b>Led “radio”</b> permanent te branden (blijf de toets ingedrukt houden). – Na ca. 4 seconden gaat de <b>Led “radio”</b> uit (blijf de toets ingedrukt houden).
<b>02.</b>	Wanneer de <b>Led “radio”</b> begint te knipperen, laat u deze 4 maal knipperen en vervolgens <u>laat u de toets los</u> <b>precies op het ogenblik waarop de Led voor de 5e maal knippert</b> .
<b>03.</b>	Tijdens het wissen knippert de <b>Led “radio”</b> snel.
<b>04.</b>	Tot slot knippert de <b>Led “radio”</b> 5 maal snel om aan te geven dat het wissen correct is uitgevoerd.

## **PROCEDURE G - Het geheugen blokkeren (of deblokkeren)**

**LET OP!** - Met deze procedure blokkeert u het geheugen zodat de procedures A, B, C, D, F niet uitgevoerd kunnen worden.

<b>01.</b>	Schakel de stroom naar de besturingseenheid uit.
<b>02.</b>	<u>Op de besturingseenheid</u> : druk op de <b>toets “radio”</b> en houd deze ingedrukt; schakel de besturingseenheid vervolgens opnieuw in (de toets ingedrukt blijven houden).
<b>03.</b>	Na 5 seconden knippert de <b>Led “radio”</b> 2 maal traag; laat de toets daarna los.
<b>04.</b>	(binnen 5 seconden) <u>Op de besturingseenheid</u> : druk herhaaldelijk op de <b>toets “radio”</b> om een van de volgende opties te kiezen: <ul style="list-style-type: none"><li>• <u>Led uit</u> = <u>deactivering</u> van de blokkering van het geheugen.</li><li>• <u>Led aan</u> = <u>activering</u> van de blokkering van het geheugen.</li></ul>
<b>05.</b>	5 seconden nadat u voor het laatst op de toets hebt gedrukt, knippert de <b>Led “radio”</b> 2 maal traag om het einde van de procedure aan te geven.

## 6 EINDTEST EN INBEDRIJFSTELLING

Dit zijn de belangrijkste fasen in de realisering van de automatisering om de maximale veiligheid van de installatie te garanderen. Deze moeten worden uitgevoerd door gekwalificeerd en ervaren personeel, dat de benodigde tests moet uitvoeren om de veiligheidsmaatregelen te controleren en tevens de naleving van de wetten, normen en regels op dit gebied moet controleren, in het bijzonder de vereisten van de normen EN 13241, EN 12445 en EN 12453.

De extra inrichtingen moeten aan een specifieke eindtest worden onderworpen om zowel de werking als de correcte interactie met de MC200-besturingseenheid te controleren. Raadpleeg hiervoor de instructiehandleidingen van de betreffende inrichtingen.

### 6.1 - Eindtest

De eindtest kan ook worden gebruikt om de inrichtingen van de automatisering periodiek te controleren. Voor elk afzonderlijk onderdeel van de automatisering (contactlijsten, fotocellen, knipperlichten enz.) is een specifieke eindtestfase vereist; voor deze inrichtingen moet de eindtest uit de desbetreffende instructiehandleidingen worden gevolgd. Voer de eindtesten als volgt uit:

<b>01.</b>	Controleer of alle informatie in het hoofdstuk WAARSCHUWINGEN nauwkeurig in acht is genomen
<b>02.</b>	Geef de instructies voor de sluit- en openingsmanoeuvres van de poort met behulp van de bedieningstoets of de zender. Tijdens deze bewegingen moet u controleren of <b>a)</b> de fotocellen (indien aanwezig) tijdens het sluitmanoeuvre tussenkomen; <b>b)</b> de contactlijst (indien aanwezig) met de ingestelde modus tussenkomt; <b>c)</b> de automatische hersluiting van de poort (indien geprogrammeerd) zich in de sluitrichting voordoet. Als de resultaten van de controles niet met de voorschriften overeenstemmen, moet u zich ervan overtuigen dat de elektrische aansluitingen correct zijn uitgevoerd. We verwijzen daarbij in het bijzonder naar de waarschuwingen in paragraaf 4.3.
<b>03.</b>	Voer verschillende testen uit om de vloeiende beweging van de poort, eventuele defecten in de montage en afstelling of specifieke wrijvingspunten te beoordelen.
<b>04.</b>	Controleer of alle veiligheidsinrichtingen in de installatie goed werken (fococellen, contactlijsten enz.).
<b>05.</b>	Controleer de werking van de fotocellen (indien aanwezig) en eventuele interacties met andere inrichtingen: 1 - houd een staaf (diameter 5 cm en lengte 30 cm) tussen een paar fotocellen, eerst in de buurt van de zender (TX) en daarna in de buurt van de ontvanger (RX), om de optische as die hen virtueel verbindt, te verbreken; 2 - controleer daarna of de tussenkomst in de besturingseenheid de beoogde actie veroorzaakt, bv. de omkering van de beweging tijdens het sluitmanoeuvre.

## 6.2 - Inbedrijfstelling

De inbedrijfstelling kan alleen plaatsvinden nadat alle fasen van de eindtest met succes zijn doorlopen (paragraaf 6.1). Het is niet toegestaan de installatie gedeeltelijk of onder 'provisorische' omstandigheden te laten werken.

01.	Het op te stellen en minimaal 10 jaar te bewaren technisch dossier van de automatisering moet het volgende omvatten: complete tekening van de automatisering, schema van de elektrische aansluitingen, risicoanalyse en de bijbehorende genomen maatregelen, verklaring van overeenstemming van de fabrikant van alle gebruikte inrichtingen (gebruik voor de MC200-besturingseenheid de bijgevoegde EU-verklaring van overeenstemming), een exemplaar van de gebruikshandleiding en van het onderhoudsplan voor de automatisering.
02.	Vul de verklaring van overeenstemming van de automatisering in en overhandig deze aan de eigenaar.
03.	Overhandig de 'gebruikshandleiding' (uitscheurbare bijlage in de handleiding van de automatisering) aan de eigenaar van de automatisering.
04.	Stel het onderhoudsplan op en overhandig dit aan de eigenaar van de automatisering.
05.	Voordat u de automatisering in bedrijf stelt, dient u de eigenaar schriftelijk en voldoende op de hoogte te stellen van nog aanwezige gevaren en risico's

## 7 AFDANKING VAN HET PRODUCT

**Dit product maakt integraal deel uit van de automatisering en moet daarom samen met de automatisering worden afgedankt.**

Zoals ook voor de installatiehandelingen geldt, moeten de handelingen voor afdanking aan het einde van de levensduur van dit product door gekwalificeerd personeel worden uitgevoerd.

Dit product bestaat uit verschillende soorten materialen: sommige kunnen gerecycled worden, andere moeten als afval verwerkt worden. Win informatie in over de methoden voor recycling of afvalverwerking die voorzien zijn in de voorschriften die in uw regio voor deze productcategorie gelden.

**⚠ LET OP! - Bepaalde onderdelen van het product kunnen verontreinigende of gevaarlijke stoffen bevatten die bij verspreiding in de omgeving schadelijke gevolgen voor het milieu of de volksgezondheid kunnen hebben.**



Zoals door het symbool hiernaast wordt aangegeven, is het verboden dit product bij het huishoudelijk afval weg te gooien. Pas gescheiden afvalinzameling voor afdanking toe volgens de plaatselijk geldende voorschriften, of lever het product weer in bij de verkoper op het moment dat u een nieuw vergelijkbaar product aanschaft.

**⚠ LET OP! - De plaatselijk geldende regelgeving kan zware sancties opleggen in geval van illegale dumping van dit product.**

## 8 TECHNISCHE KENMERKEN

⚠ Alle vermelde technische specificaties hebben betrekking op een omgevingstemperatuur van 20 °C (± 5 °C). • Nice S.p.A. behoudt zich het recht voor om, op elk moment dat dit noodzakelijk wordt geacht, wijzigingen aan het product aan te brengen, waarbij hoe dan ook de gebruiksbestemming en de functionaliteit ervan gelijk blijven.

### ELEKTRONISCHE BESTURINGSEENHEID MC200

<b>Voeding:</b>	van: 120 V~ 50/60 Hz tot: 230 V~ 50/60 Hz
<b>Max. motorvermogen:</b>	450 W (bij voeding van 120 V); 950 W (bij voeding van 230 V)
<b>Stuurspanning:</b>	ca. 24 V===
<b>Diensten (klemmen 8-9):</b>	spanning ca. 24 V===; stroom max. 100 mA
<b>Veiligheidsingang:</b>	bij configuratie met een constante weerstand, moet 8,2 kΩ bedragen
<b>Bedrijfstemperatuur:</b>	-20 °C ... +55 °C
<b>Afmetingen (mm):</b>	118 x 52 x 147
<b>Gewicht (g):</b>	300
<b>IP-beschermingsgraad:</b>	44

### RADIO-ONTVANGER (ingebouwd in besturingseenheid)

<b>Frequentie:</b>	433.92 MHz
<b>Radiocodering:</b>	FLOR, O-CODE, SMILO

## EU-verklaring van overeenstemming (N. 629/MC200) en inbouwverklaring betreffende “niet voltooide machines”

**Opmerking:** De inhoud van deze verklaring stemt overeen met hetgeen verklaard wordt in het officiële document dat is neergelegd bij de zetel van Nice S.p.A., en in het bijzonder met de laatste herziening hiervan die voor het ter perse gaan van deze handleiding beschikbaar was. Onderstaande tekst is om redactionele redenen aangepast. Een kopie van de originele verklaring kan worden aangevraagd bij Nice S.p.A. (TV) Italy.

**Revisie: 0; Taal: NL**

- **Naam fabrikant:** Nice S.p.A.
- **Adres:** Via Pezza Alta 13, 31046 Rustigné di Oderzo (TV) Italy
- **Gemachtigde voor de samenstelling van de technische documentatie:** Nice S.p.A. - Via Pezza Alta 13, 31046 Rustigné di Oderzo (TV) Italy
- **Type product:** Besturingseenheid voor 1 motor 230 V~
- **Model/type:** MC200
- **Accessoires:** Radiobesturingen series FLOR, O-CODE, SMILO

Ondergetekende Roberto Griffa verklaart onder eigen verantwoordelijkheid als Chief Executive Officer dat het hierboven vermelde product voldoet aan de vereisten van de volgende richtlijnen:

- **Richtlijn 2014/53/EU (RED-richtlijn)**
  - Bescherming van de gezondheid (art. 3(1)(a)): EN 62479:2010
  - Elektrische veiligheid (art. 3(1)(a)): EN 60950-1:2006 + A11:2009 + A12:2011 + A1:2010 + A2:2013
  - Elektromagnetische compatibiliteit (art. 3(1)(b)): EN 301 489-1 V2.2.0:2017; EN 301 489-3 V2.1.1:2017
  - Radiospectrum (art. 3(2)): EN 300 220-2 V3.1.1:2017

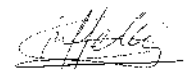
Bovendien voldoet het product aan de onderstaande richtlijn volgens de voor “niet voltooide machines” geldende vereisten (Bijlage II, deel 1, sectie B):

- **Richtlijn 2006/42/EG** VAN HET EUROPEES PARLEMENT EN DE RAAD van 17 mei 2006 betreffende machines en tot wijziging van Richtlijn 95/16/EG (herschikking).
  - Hierbij wordt verklaard dat de relevante technische documentatie is samengesteld volgens de aanwijzingen in bijlage VII B van de Richtlijn 2006/42/EG en dat daarbij aan de navolgende verplichte eisen is voldaan: 1.1.1 - 1.1.2 - 1.1.3 - 1.2.1 - 1.2.6 - 1.5.1 - 1.5.2 - 1.5.5 - 1.5.6 - 1.5.7 - 1.5.8 - 1.5.10 - 1.5.11
  - De fabrikant verbindt zich ertoe om, op geground verzoek van de nationale wetgevende instanties, alle relevante informatie betreffende de “niet voltooide machine” te bezorgen, zonder daarbij aan zijn eigen intellectueel eigendomsrecht afbreuk te doen.
  - Mocht de “niet voltooide machine” in gebruik worden genomen in een land waar een andere taal wordt gesproken dan in deze verklaring is gebruikt, is de importeur verplicht de vertaling van het desbetreffende document aan de documentatie toe te voegen.
  - Het is niet toegestaan de “niet voltooide machine” in gebruik te nemen voordat de uiteindelijke machine waarin zij zal worden ingebouwd, in overeenstemming wordt verklaard met de bepalingen van de Richtlijn 2006/42/EG, waar toepasselijk.

Bovendien voldoet het product aan de hierna volgende normen:  
EN 61000-6-2:2005; EN 61000-6-3:2007 + A1:2011;  
EN 60335-1:2012 + A11:2014; EN 62233:2008

**Plaats en datum:** Oderzo, 05/09/2017

Ing. **Roberto Griffa**  
(Chief Executive Officer)



## ОБЩИЕ ПРЕДУПРЕЖДЕНИЯ: БЕЗОПАСНОСТЬ - МОНТАЖ - ЭКСПЛУАТАЦИЯ (оригинал инструкций на итальянском языке)

**▲** Следующие меры предосторожности прописаны непосредственно в Стандартах и поэтому, насколько это возможно, являются применимыми к рассматриваемому изделию

**ВНИМАНИЕ** Важные указания по технике безопасности. Соблюдайте все указания, так как неправильный монтаж может нанести существенный ущерб

**ВНИМАНИЕ** Важные указания по технике безопасности. Соблюдение этих указаний имеет важное значение для обеспечения безопасности людей. Сохраняйте настоящее руководство

- Перед началом монтажа ознакомьтесь с «Техническими характеристиками изделия», в частности, убедитесь, что данное изделие пригодно для автоматизации вашего проезда. В противном случае НЕ приступайте к монтажу
- Запрещается эксплуатация изделия без выполнения ввода в эксплуатацию согласно указаниям, содержащимся в главе «Приемные испытания и ввод в эксплуатацию»

**ВНИМАНИЕ** Согласно последним требованиям законодательства Европейского Союза системы автоматики должны удовлетворять предусмотренным гармонизированным положениям действующей Директивы по машинам и оборудованию, позволяющим декларировать их соответствие. Ввиду этого все операции по подключению к сети электропитания, выполнению приемочных испытаний, вводу в эксплуатацию и техобслуживанию данного изделия должны выполняться квалифицированным и компетентным специалистом!

- Перед началом монтажа изделия убедитесь, что весь используемый материал находится в отличном состоянии и пригоден к использованию
- Изделие не предназначено для использования лицами (включая детей) с ограниченными физическими, сенсорными или умственными способностями или лицами, не имеющих опыта или знаний, необходимых для использования изделия
- Не разрешайте детям играть с изделием
- Не разрешайте детям играть с механизмами управления изделием. Держите пульта дистанционного управления в недоступных для детей местах

**ВНИМАНИЕ** С целью предупреждения риска случайной переустановки предохранительного теплового выключателя данный прибор не должен управляться внешними устройствами управления, например, таймером, и не должен подключаться к цепи, на которую регулярно подается питание или которая регулярно обесточивается коммунальными службами

- В цепи питания системы следует установить устройство разъединения (не входит в комплект поставки), при срабатывании которого расстояние между разомкнутыми контактами будет обеспечивать полное отключение в условиях, классифицируемых как III-я категория избыточного напряжения
- В процессе монтажа обращайтесь с компонентами системы бережно во избежание заземлений, ударов, падений или контакта с любыми жидкостями. Не помещайте изделие вблизи источников тепла и не подвергайте его воздействию открытого пламени. Все вышеописанные действия могут привести к выходу изделия из строя или возникновению опасных ситуаций. Если это произойдет, немедленно прекратите монтаж и обратитесь в отдел технической поддержки компании Nice
- Изготовитель не несет никакой ответственности за ущерб, причиненный имуществу или здоровью и жизни людей, вследствие несоблюдения указаний по монтажу. В этом случае гарантия в отношении дефектов материалов является недействительной
- Очистка и обслуживание, которые должны выполняться самим пользователем, не должны производиться детьми без присмотра взрослых
- Перед выполнением любых работ с оборудованием (обслуживание, очистка) всегда отключайте изделие от питания сети
- Упаковочные материалы должны утилизироваться в строгом соответствии с положениями местных нормативов
- Во время выполнения маневра проверяйте работу системы автоматики не допуская, чтобы рядом находились люди, вплоть до завершения движения подвижного элемента
- Не приводите в движение изделие, если в зоне его действия находятся люди, выполняющие какие-либо работы с системой автоматики; отключите подачу электропитания перед началом выполнения вышеуказанных работ

## 1 ОПИСАНИЕ И НАЗНАЧЕНИЕ ИЗДЕЛИЯ

**МС200** является электронным блоком управления, который позволяет контролировать и управлять двигателем автоматического движения отпускных ворот, подъемно-поворотных ворот, секционных ворот, ролставней или похожих приложений.

**▲ ВНИМАНИЕ!** - Любое использование, отличное от вышеуказанного, и в условиях, отличных от приведенных в настоящем руководстве, считается ненадлежащим и строго воспрещается!

Функциональные характеристики:

- подключается к электросети (см. Данные, приведенные в главе «Технические характеристики изделия»);
- программируется с помощью настроек 8 dip-переключателей;
- оснащен радиоприемником, который позволяет управлять системой автоматики с помощью передатчика;
- к блоку управления можно подключить различные дополнительные устройства, такие как: пара оптических датчиков, прожекторная лампа (с напряжением питания сети), которая служит для световой сигнализации, настенная кнопка для управления системой автоматики командами пошагового режима, наружная радиоантенна, сенсорная кромка и т. д.
- оснащен разъемом типа IBT4N, совместимым с интерфейсом IBT4N, то позволяет соединять все снабженные интерфейсом BusT4 устройства, например, программирующее устройство Oview.

## 2 ОГРАНИЧЕНИЯ В ИСПОЛЬЗОВАНИИ

- Встроенный блок управления MC200 может использоваться исключительно с асинхронным однофазным двигателем. Двигатель должен быть: **a)** подключен к питанию электросети и рассчитан на такое же напряжение тока, что и напряжение, питающее встроенный блок управления; **b)** снабжен устройством тепловой защиты; **c)** снабжен электромеханическим устройством ограничения хода (концевой выключатель); **d)** снабжен 3-мя соединительными проводами: «Общий», «Откр», «Закр».
- Встроенный в блок управления радиоприемник обеспечивает исключительное использование передатчиков, которые используют следующие протоколы кодировки радиосигналов **FLOR**, **O-CODE** или **SMILO** (являются стандартными протоколами компании Nice).
- Дополнительные ограничения в применении приводятся в главе «Технические характеристики изделия».

## 3 МОНТАЖ

**⚠ Внимание!** – Перед выполнением установки изделия необходимо проверить его ограничения в применении, приведенные в главах 2 и 7.

**⚠ Убедитесь,** что температура соответствует выбранному типу применения.

**⚠ Данное изделие не подлежит установке на улице.**

**⚠ При прокалывании коробки встроенного блока управления для протягивания проводов (рис. 1-С) важно знать,** что место входа проводов в коробку должно всегда быть расположено в нижней части последней. Кроме того, необходимо принять надлежащие меры предосторожности в целях обеспечения требуемого класса защиты (IP 44) и с учетом типа установки.

**⚠ Перед выполнением установки подготовьте электрические провода, необходимые для вашего типа применения,** справляясь с рис. 2b и с «Таблицей № 1 - Технические характеристики электрических кабелей».

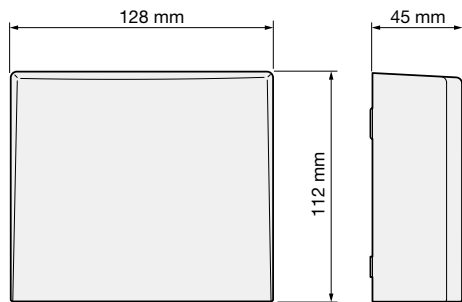
**⚠ Внимание!** – При прокладывании защитных труб для электропроводов и протягивании проводов внутри корпуса встроенного блока управления важно помнить, что в связи с возможным присутствием стоячей воды в отводных колодцах защитные трубы для проводов могут привести к образованию водяного пара внутри встроенного блока управления, что может привести к повреждению электрических цепей.

Установить блок управления как показано на **рис. 1**.

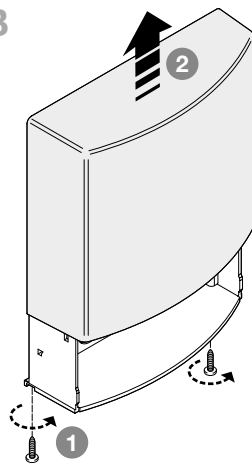


1

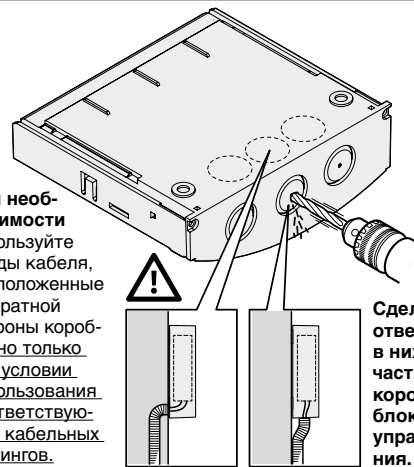
A



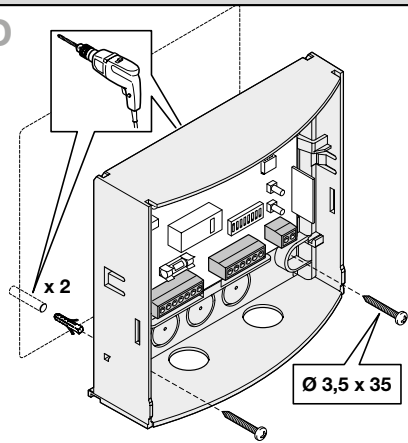
B



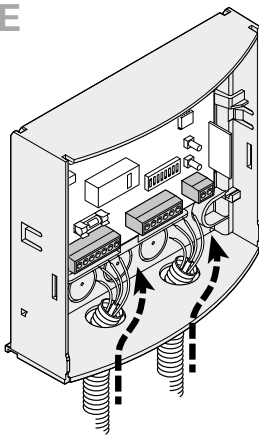
C



D

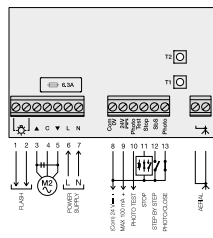


E

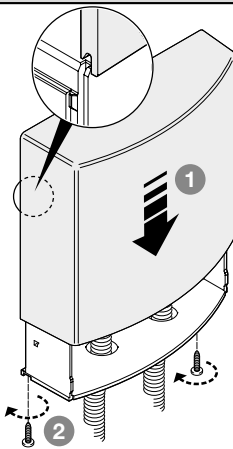


F

**Электрические соединения.**  
Сверяйтесь с указаниями, содержащимися в Главе 4.



G



## 4 ЭЛЕКТРИЧЕСКИЕ СОЕДИНЕНИЯ

**⚠ ВНИМАНИЕ!** – Все электрические подключения должны проводиться только при отключенном питании сети. Неверно выполненные подключения могут явиться причиной повреждения оборудования или нанесения вреда здоровью и жизни людей.

**⚠ ВНИМАНИЕ!** – Все операции подключения должны проводиться исключительно квалифицированным персоналом.

### 4.1 - Подготовка электрических кабелей для подсоединения устройств к блоку управления (Таблица А)

**Таблица А - Характеристики электрических кабелей, используемых для электрических соединений**

Подлежащее подключению устройство	Сечение провода	Максимальная длина провода
ПИТАНИЕ СЕТИ БЛОКА УПРАВЛЕНИЯ	1 шт. кабель: 2 x 1,5 мм <sup>2</sup>	30 м (*1)
ПРОБЛЕСКОВАЯ ЛАМПА С РАДИОАНТЕННОЙ	1 шт. кабель: 2 x 1,5 мм <sup>2</sup> (для лампочки) 1 шт. экранированный кабель типа RG58 (для антенны)	20 м 20 м (рекомендуемая длина < 5 м)
УСТРОЙСТВА ПОДСОЕДИНЕННЫЕ К КЛЕММАМ 8-9-10-11-12-13	6 шт. кабели: 1 x 0,5 мм <sup>2</sup> (*2)	50 м
ПИТАНИЕ СЕТИ ДВИГАТЕЛЯ	3 шт. кабели: 1 x 1,5 мм <sup>2</sup>	10 м

(\*1) – Если кабель электропитания длиннее 30 м, требуется кабель с большим сечением, например, 2 x 2,5 мм<sup>2</sup>.

(\*2) – Означенные 6 кабелей могут быть заменены одним единственным кабелем с сечением 6 x 0,5 мм<sup>2</sup>.

**ВНИМАНИЕ!** – Используемые кабели должны быть пригодны для условий в месте установки.

### 4.2 - Перечень компонентов, которые составляют блок управления

В ходе последующих операций по подсоединению и программированию блока управления для распознавания нижеприведенных компонентов необходимо сверяться с **рис. 2** и условными обозначениями к нему.

**A** - Линейный предохранитель (6,3 А)

**B** - Разъем для подключения интерфейса IBT4N

**C** - Светодиод «ОК»

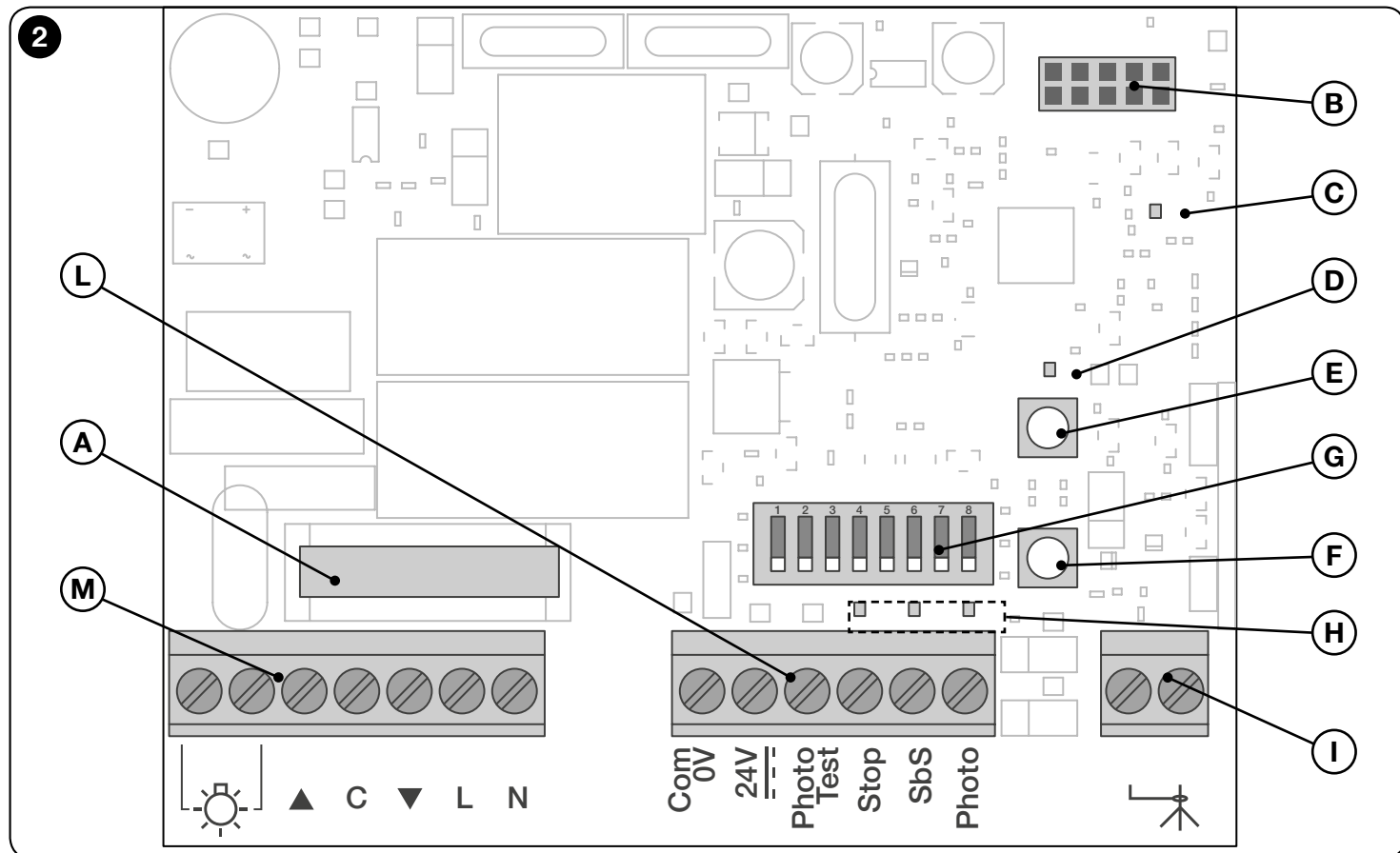
**D** - Светодиодный индикатор «РАДИО»

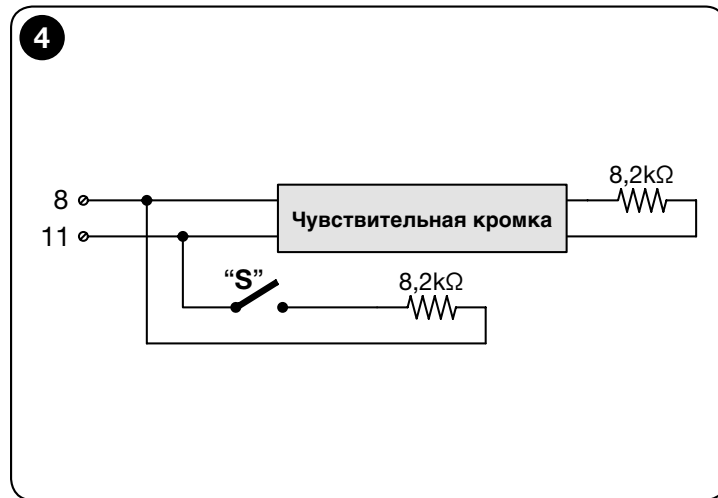
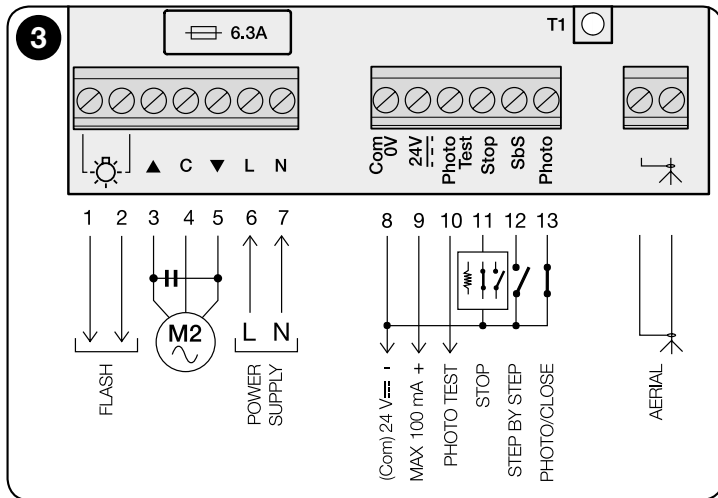
**E** - Кнопка T2, служащая для запоминания того или иного передатчика и для удаления передатчика или очистки всего содержимого памяти блока управления

**F** - Кнопка T1, служащая для программирования и введения команд пошагового режима

**G** - Dip-переключатель для программирования функций

- H** - Входные светодиодные индикаторы («Stop», «SbS», «Photo»)    **M** - Клеммы для подключение линии питания сети и для подключения двигателя
- I** - Клеммы антенны радио
- L** - Клеммы для низковольтных подключений





### 4.3 - Основные подключения

#### • Подключение двигателя к блоку управления MC200

Подсоедините 3 отходящие от двигателя провода (Фаза подъема, Общий, Фаза опускания) соответственно к **клеммам 3, 4 и 5** блока управления как показано на **рис. 3**.

**ВНИМАНИЕ!** Перед подключением двигателя необходимо обязательно убедиться, что провод, подключаемый к **клемме 3** обеспечивает **ОТКРЫВАНИЕ** ворот; провод, подключаемый к **клемме 5** обеспечивает **ЗАКРЫВАНИЕ** ворот, в то время как провод, подключаемый к **клемме 4** является **ОБЩИМ**.

**Внимание!** – Не подключайте несколько двигателей параллельно к одному и тому же блоку управления, если это особым образом не предусмотрено в руководстве по эксплуатации двигателя; при необходимости используйте специальные модули расширения.

#### • Подключение питания сети блока управления MC200

Подсоедините 2 провода, исходящие от электрической сети (Фаза и Нейтраль) соответственно к **клеммам 6 и 7** блока управления, как показано на **рис. 3**.

#### • Заземление двигателя

**Внимание!** - В целях соблюдения требований по технике безопасности, действующих в отношении соответствующего класса принадлежности изделия (Класс II) обязательным является обеспечение заземления двигателя, **снаружи блока управления MC200**.

## 4.4 - Подключение вспомогательных устройств

Для подключения предусмотренных вспомогательных устройств необходимо справляться с **Таблицей В**, с **рис. 3** и с руководством по эксплуатации отдельных дополнительных устройств. В **Таблице В** сведены воедино все устройства дополнительной оснастки, которые могут быть подключены к клеммам блока управления, а также содержатся указания для выполнения электрических соединений. Перед тем, как приступить к подключению, внимательно ознакомьтесь с таблицей и всеми примечаниями к ней.

**Примечание** – Ввиду того, что некоторые входы имеют несколько функциональных возможностей подключения устройств дополнительной оснастки, по завершении подсоединения необходимо настроить dip-переключатель в зависимости от характера подключенных дополнительных устройств (см. Главу 5 – Программирование).

<b>Таблица В - Функциональное назначение клемм (входы и выходы)</b>	
<b>Клеммы</b>	<b>Описание функционального назначения</b>
<b>1 - 2</b>	<b>Выход</b> для мигающего сигнального устройства к напряжению питания сети.
<b>3 - 4 - 5</b>	<b>Выход</b> для управления двигателем (открывание, общий, закрывание).
<b>6 - 7</b>	<b>Выход</b> для линии электропитания, отходящей от электросети (фаза, нейтраль).
<b>8</b>	Заданное значение 0 В для провода «Общий» устройств, подключаемых к клеммам <b>9, 10, 11, 12 и 13</b> .
<b>9</b>	<b>Выход 24 В</b> . Выход для вспомогательных устройств (например, оптических датчиков) с питанием сети напряжением 24 В=== (низковольтные): максимальный поглощаемый ток: 100 мА.
<b>10</b>	<b>Выход «Photo test»</b> . Выход 24 В=== для оптического датчика передачи (ТХ) или для светового индикатора открытой створки ворот. Максимальный поглощаемый ток: 50 мА.
<b>11</b>	<b>Вход «Stop»</b> . Вход для устройств безопасности с постоянным сопротивлением 8,2 кОм (сенсорная кромка и т. п.).
<b>12</b>	<b>Вход «SbS»</b> . Вход для кнопки НР (нормально разомкнутая) для подачи команд в пошаговом режиме.
<b>13</b>	<b>Вход «Photo»</b> . Вход для оптического датчика приема (RX), нормально замкнутого (НЗ), или для кнопки НР (нормально разомкнутой).
<b>14 - 15</b>	<b>Вход</b> для антенны радиоприемника.

## 4.5 - Как управлять выходом «Photo test» и входами «Stop», «SbS», «Photo»

### 4.5.1 - Выход «Photo test» (клемма 10)

Данный выход должен быть настроен с помощью dip-переключателя программирования **7** в зависимости от типа подключаемого устройства: если подключается оптический датчик передачи (ТХ) – dip-переключатель должен быть выставлен в положение ВКЛ (ON); если же подключается световой индикатор открытой створки ворот – dip-переключатель должен быть выставлен в положение ВЫКЛ (OFF).

**ПРИМЕЧАНИЕ** • Если к данному выходу подключается световой индикатор открытой створки ворот, то оптический датчик ТХ должен быть подключен к клемме **9**. • Сигналы индикатор открытой створки ворот имеют следующие значения:

световой индикатор не горит = створка закрыта; световой индикатор горит = створка открыта; световой индикатор мигает медленно = створка в процессе открывания; световой индикатор мигает быстро = створка в процессе закрывания.

#### 4.5.2 - Вход «Stop» (клемма 11)

Данный вход должен быть настроен с помощью dip-переключателя программирования **1 - 2** в зависимости от типа подключаемого устройства: нормально замкнутые контакты (НЗ), нормально разомкнутые контакты (НР) или контакты с постоянным сопротивлением (8,2 кОм). **Внимание!** – Только применение контакта с постоянным сопротивлением вкупе с настройкой ВЫКЛ+ВКЛ (OFF+OFF) dip-переключателей **1 - 2** обеспечивает минимальный уровень устойчивости к неисправностям, предусмотренный нормативными положениями. Обычно срабатывание устройства, подключенного к входу «Stop» приводит к немедленной остановке двигателя, сопровождаемой кратким реверсом маневра (программируемым с помощью dip-переключателя **3**). Для исключения указанного реверса при срабатывании устройства безопасности (например, когда сенсорная кромка касается пола) можно использовать контакт «**S**» (с сопротивлением 8,2 кОм с последовательным подключением), подлежащий параллельному подключению с сенсорной кромкой (см. **рис. 4**). Контакт «**S**» должен располагаться таким образом, чтобы он замыкался на последних 30/40 мм маневра закрывания, перед срабатыванием сенсорной кромки. В описанном выше случае, когда контакт «**S**» замыкается и срабатывает сенсорная кромка (например на полу), система автоматизации блокируется без выполнения реверса маневра, а дверь остается полностью закрытой. Из указанного состояния система позволяет осуществлять управление только открыванием. Состояние входа «Stop» отмечается светодиодным индикатором «Stop» в соответствии с сигналами, указанными в **Таблице С**.

**Таблица С - Состояние входа «Stop», отмечаемое соответствующим светодиодным индикатором**

Сигналы светодиодного индикатора «Stop»	Значение (состояние входа «Stop»)
<b>Горит</b>	Активный (разрешение на выполнение операции)
<b>Не горит</b>	Неактивный (операция заблокирована)
<b>50% горит + 50% не горит</b>	Отключен реверс маневра
<b>20% горит + 80% не горит</b>	Неактивный, отключен реверс маневра (разрешение на выполнение только операции открывания)

#### 4.5.3 - Вход «SbS» (клемма 12)

Каждый раз при нажатии на подключенную к данному входу кнопку система выполняет команду, которая следует за последней переданной командой в соответствии с заданной производителем последовательностью, которая может быть запрограммирована с помощью dip-переключателя 5 (например, > откр. > стоп > закр. > стоп > снова...). Если кнопка управления остается в нажатом положении в течение продолжительного времени (от 4 до 10 секунд), система всегда дает команду открывания; после более 10 секунд в нажатом состоянии система всегда дает команду закрывания. Такая особая функциональная характеристика может быть полезной в случае присутствия более одного блока управления, когда требуется передать команды указанным блокам в одно и то же время и нужно чтобы соответствующие створки ворот выполнили один и тот же маневр независимо от состояния каждого из них.

#### 4.5.4 - Вход «Photo» (клемма 13)

Данный вход должен быть настроен с помощью dip-переключателя программирования 4 в зависимости от типа подключаемого устройства: если подключается нормально замкнутый (НЗ) оптический датчик приема (RX) – dip-переключатель должен быть выставлен в положение ВЫКЛ (OFF).; если же подключается нормально разомкнутая (НР) кнопка – dip-переключатель должен быть выставлен в положение ВКЛ (ON). **Примечание** – Если был подключен нормально замкнутый (НЗ) оптический датчик приема (RX), в отсутствие разрешения может выполняться только операция открывания.

## 5 ПРОГРАММИРОВАНИЕ

**ВНИМАНИЕ!** - После того, как были выполнены все подключения, подайте напряжение на блок управления и приступайте к программированию путем настройки расположенных на плате восьми dip-переключателей в зависимости от типа подключаемых устройств и тех функций, которые требуется активировать или деактивировать. Для выполнения программирования следует обратиться к Таблице D.

**Таблица D - Настройка dip-переключателей**

Dip-переключатель	Настройка	Описание заданного функционального назначения
Переключатели 1 - 2	(1) <b>ВЫКЛ (OFF)</b> ; (2) <b>ВЫКЛ (OFF)</b>	Активирует вход «Stop» для подключения контакта с постоянным сопротивлением 8,2 кОм, без кнопки «S», которая исключает изменение направления движения (см. <b>рис. 4</b> )
	(1) <b>ВЫКЛ (OFF)</b> ; (2) <b>ВКЛ (ON)</b>	Активирует вход «Stop» для подключения контакта с постоянным сопротивлением 8,2 кОм, с кнопкой «S», которая срабатывает на расстоянии 30/40 мм от места расположения концевого выключателя для того, чтобы исключить изменение направления движения (см. <b>рис. 4</b> )
	(1) <b>ВКЛ (ON)</b> ; (2) <b>ВЫКЛ (OFF)</b>	Активирует вход «Stop» для подключения нормально разомкнутого (НР) контакта
	(1) <b>ВКЛ (ON)</b> ; (2) <b>ВКЛ (ON)</b>	Активирует вход «Stop» для подключения нормально замкнутого (НЗ) контакта
Переключатель 3	<b>ВЫКЛ (OFF)</b>	Активирует вход «Stop» для остановки выполняемого маневра и изменения на короткое время его направления
	<b>ВКЛ. (ON)</b>	Активирует вход «Stop» для остановки выполняемого маневра
Переключатель 4	<b>ВЫКЛ (OFF)</b>	Активирует вход «Photo» для подключения оптических датчиков
	<b>ВКЛ. (ON)</b>	Активирует вход «Photo» для его использования для команды закрывания
Переключатель 5	<b>ВЫКЛ (OFF)</b>	Активирует следующие циклические команды пошагового режима: > Откр. > Стоп > Закр. > Стоп > (снова...)
	<b>ВКЛ. (ON)</b>	Активирует следующие циклические команды пошагового режима: > Откр. > Стоп > (снова...)

Переключатель 6	<b>ВЫКЛ (OFF)</b>	Отключает функцию коллективного срабатывания
	<b>ВКЛ. (ON)</b>	Активирует функцию коллективного срабатывания
Переключатель 7	<b>ВЫКЛ (OFF)</b>	Активирует функцию «индикатор открытой створки ворот»
	<b>ВКЛ. (ON)</b>	Активирует функцию «Photo test»
Переключатель 8	<b>ВЫКЛ (OFF)</b>	Отключает «Время паузы» для автоматического закрывания створки ворот после ее открывания вслед за получением команды открыть
	<b>ВКЛ. (ON)</b>	Активирует «Время паузы» для автоматического закрывания створки ворот после ее открывания

## 5.1 - Детальная информация о некоторых программируемых функциях и настройках

### 5.1.1 - Dip-переключатели 1 и 2 (для входа «Stop»)

Данные dip-переключатели предназначены для программирования входа «Stop» в зависимости от типа подключенного к ним устройства безопасности:

- Контакт с постоянным сопротивлением 8,2 кОм с изменением направления движения.
- Контакт с постоянным сопротивлением 8,2 кОм без изменения направления движения.
- Контакт НР (нормально разомкнутый).
- Контакт НЗ (нормально замкнутый).

### 5.1.2 - Dip-переключатель 5 (для входа «SbS»)

Если вход «SbS» программируется с последовательностью команд в пошаговом режиме: > **Откр.** > **Стоп** > **(снова...)**, соответственно при dip-переключателе 5 в положении ВКЛ (ON) в ходе использования системы автоматики нельзя будет передать команду закрывания створки ворот. Такую команду можно будет передать только путем программирования автоматического закрывания створки ворот после их открытия (dip-переключатель 8 в положении ВКЛ. (ON)) или с помощью радиопередатчика.

### 5.1.3 - Dip-переключатель 6

- **В ходе выполнения маневра открывания:** в случае, если активирована функция коллективного открывания (dip-переключатель 6 в положении ВКЛ. (ON)), она препятствует тому, что отправка команды открывания или команды в пошаговом режиме останавливает маневр или приводит к реверсу маневра до его завершения в положении конечного выключателя.
- **В ходе выполнения маневра закрывания:** в случае, если активирована функция коллективного закрывания (dip-переключатель 6 в положении ВКЛ. (ON)) отправка команды открывания или команды в пошаговом режиме останавливает маневр и приводит к изменению направления движения, открывая створку ворот после того, как она была закрыта.

## 5.2 - Сохранение в памяти настроек dip-переключателей

После того, как были настроены все dip-переключатели (или впоследствии каждый раз, когда требуется изменить настройки



одного или более dip-переключателей), необходимо внести в память блока управления выполненные настройки, действуя следующим образом: когда **светодиодный индикатор «ОК»** начинает мигать (зеленым/красным цветом) это означает, что один или более dip-переключателей были перенесены. Следовательно, для запоминания новой настройки следует нажать и держать в нажатом состоянии кнопку **Т1** на блоке управления до тех пор, пока **светодиодный индикатор «ОК»** не загорится немигающим зеленым светом. После этого следует отпустить кнопку.

### 5.3 - Программирование параметров «Время работы» двигателя и «Время паузы» для автоматического закрывания после открывания

«Время работы» и «время паузы» являются двумя основными параметрами блока управления и программируются один за другим по одной и той же процедуре. Данные параметры могут быть запрограммированы только после того, как были сделаны и внесены в память настройки всех dip-переключателей.

• **Что такое «Время работы»?** Это максимальное время, в течение которого блок управления подает ток на двигатель, начиная с момента отправки команды. Указанное время должно быть достаточным для завершения маневра двигателем (достижение положения концевого выключателя). Заводская настройка (или настройка по умолчанию после полной очистки памяти) составляет 120 секунд. Существует возможность изменить данное запрограммированное значение в диапазоне значений от 5 секунд (минимальное время) до 120 секунд (максимальное значение). Процедура предусматривает измерение в режиме автоматического распознавания того периода времени, который необходим двигателю для завершения маневра. В связи с этим необходимо измерить самый трудоемкий для двигателя маневр (иными словами, самый длительный), который, как правило, соответствует началу движения с положения концевого выключателя. **Внимание!** – Рекомендуется программировать значение времени немного превышающее (на несколько секунд) время, фактически необходимое для завершения маневра.

• **Что такое «Время паузы»?** Это время, в течение которого блок управления находится в ожидании перед автоматическим закрыванием створки ворот и после того, как пользователь отправил команду открывания (функция: автоматическое закрывание после открывания). Время паузы программируется с диапазоном значений от 5 секунд (минимальное) до 120 секунд (максимальное). Время паузы может быть полностью исключено, что служит для отключения автоматического закрывания створки ворот после ее открывания.

#### Для внесения в память «Время работы» и «время паузы»

- |     |   |
|-----|---|
| 01. | Отведите створку ворот в положение <b>нижнего</b> концевого выключателя.  |
| 02. | Нажмите и держите в нажатом положении кнопку <b>Т1</b> на блоке управления: как только двигатель начнет движение в сторону <b>верхнего</b> концевого выключателя, отсчитайте 5 секунд. По истечении 5 секунд блок управления начнет запоминать продолжительность маневра;   |
| 03. | Продолжайте держать нажатой кнопку <b>Т1</b> ; дождитесь окончания маневра в положении <b>верхнего</b> концевого выключателя; подождите еще несколько секунд, после чего отпустите кнопку. Двигатель остановится и блок управления запомнит новое значение <b>Времени работы</b> , которое было только что считано. |

**04.** В течение 2 секунд с момента остановки двигателя нажмите и держите нажатой кнопку **T1** на блоке управления: с этого момента начинается измерение **Времени паузы**.

**05.** Отпустите кнопку **T1** после того, как истекло требуемое время (максимум 120 секунд); блок управления даст команду двигателю выполнить маневр **опускания** с одновременным запоминанием **только что считанного времени**. Данное значение времени впоследствии будет использовано в ходе автоматического закрывания створки ворот после ее открывания.

**ВАЖНО** – запрограммированное Время паузы будет применяться только в том случае, если dip-переключатель 8 выставлен в положение ВКЛ (ON).

#### Для изменения значений «Время работы» и «Время паузы»

**01.** Если необходимо изменить только «Время работы», повторите процедуру с самого начала и остановитесь на 4 шаге.

#### Для исключения «Время паузы»

**01.** Если необходимо отключить автоматическое закрывание створки ворот после ее открывания и, следовательно, удалить «Время паузы», необходимо повторить процедуру с самого начала и остановиться на 4 шаге. В качестве альтернативного решения можно отключить автоматическое закрывание створки ворот после ее открывания путем выставления dip-переключателя 8 в положение ВЫКЛ. (OFF).

## 5.4 - Сохранение в памяти передатчиков

Встроенный в блок управления радиоприемник совместим со всеми передатчиками, которые поддерживают следующие протоколы кодировки радиосигналов: **FLOR**, **O-CODE** или **SMILO** (являются стандартными протоколами компании Nice).

### 5.4.1 - Два способа запомнить кнопки передатчиков

Среди доступных процедур внесения в память передатчиков одни позволяют сделать это «стандартным» способом (Способ 1), а другие – «персонализированным» способом (Способ 2).

#### • Внесение в память **СТАНДАРТНЫМ СПОСОБОМ** (также именуемым «Способ 1»)

Данная процедура позволяет одновременно запоминать (в ходе приведения в действие) все имеющиеся на передатчике кнопки. Система автоматически присваивает каждой кнопке команду, определенную на предприятии изготовителя, согласно следующей схеме:

Команда	Кнопка
<b>№ 1 - Подъем</b>	присваивается <b>1<sup>ой</sup> кнопке / кнопке 1 / кнопке ▲</b>

<b>№ 2 - Стоп</b>	присваивается <b>2<sup>ой</sup> кнопке / кнопке 2 / кнопке ■</b>
<b>№ 3 - Опускание</b>	присваивается <b>3<sup>ей</sup> кнопке / кнопке 3 / кнопке ▼</b>
<b>№ 4 - Пошаговый режим</b>	присваивается <b>4<sup>ой</sup> кнопке / кнопке 4</b> (если кнопка присутствует на передатчике).
<b>Примечание</b> – Как правило кнопки на передатчике отмечены знаками или цифрами. Если на вашем передатчике нет обозначения кнопок, то для определения которая является кнопкой №1, кнопкой № 2 и т. д. следует обращаться к <b>рис. 5</b> .	

• **Внесение в память ПЕРсонаЛИЗИРОВАННЫМ СПОСОБОМ (также именуемым «Способ 2»)**

Процедуры данного типа позволяют запоминать (в ходе приведения в действие) отдельные кнопки из имеющихся на передатчике, присваивая им одну из нескольких имеющихся команд. **Подъем, Стоп, Опускание, Пошаговый режим.** Выбор кнопки и присваиваемой ей команды производится установщиком в зависимости от требований к работе системы автомастики.

**5.4.2 - Количество запоминаемых передатчиков**

Приемник блока управления располагает **192 ячейками памяти**. Одна ячейка памяти может быть использована или для запоминания отдельного передатчика (всей совокупности его кнопок и команд) или отдельной кнопки с присвоенной ей командой.

————— **ПРОЦЕДУРЫ** —————

**ВНИМАНИЕ!** - Для выполнения Процедур А, В, С, D, F необходимо разблокировать память блока управления. Если память заблокирована, выполните Процедуру G, чтобы разблокировать ее.

**ПРОЦЕДУРА А - Внесение в память ВСЕХ кнопок одного отдельно взятого передатчика (СТАНДАРТНЫЙ способ или Способ 1)**

<b>01.</b>	<u>На блоке управления:</u> нажмите и держите нажатой <b>кнопку T2</b> до тех пор, пока не загорится <b>светодиодный индикатор «радио»</b> ; после этого следует отпустить кнопку.
<b>02.</b>	(в течение 10 секунд) <u>На передатчике, который требуется внести в память:</u> держите нажатой любую кнопку и ждите момента, когда <b>светодиодный индикатор «радио»</b> мигнет <b>3(*)</b> раза в течение длительного времени (= внесение в память выполнено надлежащим образом). После этого отпустите кнопку.
<b>03.</b>	<b>Примечание</b> – После 3 длительных мигающих сигналов у вас в распоряжении есть еще 10 секунд для того, чтобы внести в память еще один передатчик (если в этом есть необходимость), начиная со 2-го шага.
По завершении процедуры кнопкам передатчика будут присвоены отдельные команды, приведенные в описании Способа 1 (параграф 5.4.1).	

## **ПРОЦЕДУРА В - Внесение в память ОТДЕЛЬНОЙ КНОПКИ отдельно взятого передатчика (ПЕРСО-НАЛИЗИРОВАННЫЙ способ или Способ 2)**

<b>01.</b>	В приведенной ниже таблице необходимо выбрать команду, которую требуется присвоить запоминаемой кнопке.	
	<b>Выберите команду</b>	<b>Для внесения команды в память... (шаг 02)</b>
	<b>№ 1 - Подъем</b>	...нажмите кнопку T2 <b>1 раз</b> .
	<b>№ 2 - Стоп</b>	...нажмите кнопку T2 <b>2 раза</b> .
	<b>№ 3 - Опускание</b>	...нажмите кнопку T2 <b>3 раза</b> .
<b>№ 4 - Пошаговый режим</b>	...нажмите кнопку T2 <b>4 раза</b> .	
<b>02.</b>	На блоке управления: нажмите и отпустите такое количество раз кнопку <b>T2</b> , которое указано рядом с выбранной командой в таблице в верхней части.	
<b>03.</b>	(в течение 10 секунд) На передатчике: держите нажатой подлежащую внесению в память кнопку и ждите, когда <b>светодиодный индикатор «радио»</b> мигнет 3(*) раза в течение длительного времени (= внесение в память выполнено надлежащим образом). После этого отпустите кнопку.	
<b>04.</b>	<b>Примечание</b> – После 3 длительных мигающих сигналов у вас в распоряжении есть еще 10 секунд для того, чтобы внести в память еще одну кнопку (если в этом есть необходимость), начиная с шага 01.	
<b>(*) – Примечание к Процедурам А и В:</b> Светодиодный индикатор «радио» также может подавать следующие сигналы: – <b>1 короткий мигающий сигнал</b> , если передатчик уже был внесен в память. – <b>6 мигающих сигналов</b> , если кодировка радиосигналов передатчика не совместима с кодировкой приемника блока управления. – <b>8 мигающих сигналов</b> , если память заполнена.		

## **ПРОЦЕДУРА С - Внесение в память передатчика с помощью уже внесенного в память другого передатчика (внесение в память на расстоянии от блока управления)**

Данная процедура позволяет внести в память новый передатчик, используя второй передатчик, который до этого уже был внесен в память того же блока управления. Такая настройка позволяет новому передатчику «наследовать» настройки уже внесенного в память передатчика. Выполнение данной процедуры не предусматривает прямого воздействия на кнопку T2 блока управления и проводится внутри радиуса действия приемника.

<b>01.</b>	На подлежащем внесению в память <b>передатчике</b> : нажмите и держите нажатой кнопку, которую требуется внести в память.
<b>02.</b>	На блоке управления: через несколько секунд (около 5 секунд) загорается <b>светодиодный индикатор «радио»</b> . После этого необходимо отпустить кнопку передатчика.

**03.** На уже внесенном в память **передатчике**: нажмите и отпустите **3 раза** внесенную в память кнопку, которую требуется скопировать.

**04.** На подлежащем внесению в память **передатчике**: нажмите и отпустите **1 раз** кнопку, которую нажимали в пункте 01.

### **ПРОЦЕДУРА D - Удаление из памяти передатчика (если он был внесен в память Способом 1) или отдельной кнопки конкретного передатчика (если он был внесен в память Способом 2)**

**01.** На блоке управления: нажмите и держите нажатой кнопку **T2**.  
– По прошествии около 4 секунд **светодиодный индикатор «радио»** загорится непрерывным светом (продолжайте держать кнопку нажатой).

**02.** На передатчике, который требуется удалить из памяти: нажмите и держите нажатой кнопку(\*) до тех пор, пока **светодиодный индикатор «радио»** (на блоке управления) не выдаст 5 коротких мигающих сигналов (или 1 мигающий сигнал в случае, если передатчик или кнопка не были ранее внесены в память).

**(\*) Примечание** – Если передатчик внесен в память Способом 1, можно нажать на любую кнопку и блок управления удалит все данные передатчика из памяти. Если передатчик внесен в память Способом 2, необходимо нажать внесенную в память кнопку, которую требуется удалить. Для удаления из памяти других кнопок, внесенных в память Способом 2, повторите всю процедуру для каждой подлежащей удалению из памяти кнопки.

### **ПРОЦЕДУРА E - Удаление из памяти ВСЕХ внесенных в нее передатчиков**

**01.** На блоке управления: нажмите и держите нажатой кнопку **«радио»**.  
– По прошествии около 4 секунд **светодиодный индикатор «радио»** загорится непрерывным светом (продолжайте держать кнопку нажатой).  
– По прошествии около 4 секунд **светодиодный индикатор «радио»** погаснет (продолжайте держать кнопку нажатой).

**02.** Когда **светодиодный индикатор «радио»** начнет мигать, отсчитайте 2 мигающих сигнала и **приготовьтесь отпустить кнопку одновременно с 3<sup>м</sup> мигающим сигналом, который последует.**

**03.** Во время удаления из памяти **светодиодный индикатор «радио»** быстро мигает.

**04.** Затем **светодиодный индикатор «радио»** подаст 5 длительных мигающих сигналов, оповещая о том, что удаление из памяти выполнено надлежащим образом.

## **ПРОЦЕДУРА F - Удаление ВСЕХ ДАННЫХ из памяти и возврат к заводским настройкам**

<b>01.</b>	На блоке управления: нажмите и держите нажатой <b>кнопку «радио»</b> . – По прошествии около 4 секунд <b>светодиодный индикатор «радио»</b> загорится непрерывным светом (продолжайте держать кнопку нажатой). – По прошествии около 4 секунд <b>светодиодный индикатор «радио»</b> погаснет (продолжайте держать кнопку нажатой).
<b>02.</b>	Когда <b>светодиодный индикатор «радио»</b> начнет мигать, отсчитайте 4 мигающих сигнала и <b>приготовьтесь отпустить кнопку одновременно с 5<sup>ым</sup> мигающим сигналом, который последует.</b>
<b>03.</b>	Во время удаления из памяти <b>светодиодный индикатор «радио»</b> быстро мигает.
<b>04.</b>	Затем <b>светодиодный индикатор «радио»</b> подаст 5 длительных мигающих сигналов, оповещая о том, что удаление из памяти выполнено надлежащим образом.

## **ПРОЦЕДУРА G - Блокировка (или разблокирование) памяти**

**ВНИМАНИЕ! - Настоящая процедура блокирует память, делая невозможным выполнение Процедур А, В, С, D, F.**

<b>01.</b>	Отключите блок управления от питания сети.
<b>02.</b>	На блоке управления: нажмите и удерживайте нажатой <b>кнопку «радио»</b> ; затем подайте ток на блок управления (продолжайте держать кнопку нажатой).
<b>03.</b>	Через 5 секунд <b>светодиодный индикатор «радио»</b> подаст два длительных мигающих сигнала, поэтому отпустите кнопку.
<b>04.</b>	(через 5 секунд) На блоке управления: несколько раз нажмите <b>кнопку «радио»</b> , чтобы выбрать одну из следующих опций: <ul style="list-style-type: none"><li>• светодиодный индикатор выключен = <b>Отключение</b> блокировки внесения в память.</li><li>• светодиодный индикатор включен = <b>Активация</b> блокировки внесения в память.</li></ul>
<b>05.</b>	Через 5 секунд с момента последнего нажатия кнопки <b>светодиодный индикатор «радио»</b> подаст 2 длительных мигающих сигнала, оповещая об окончании процедуры.

## 6 ПРИЕМОЧНЫЕ ИСПЫТАНИЯ И ВВОД В ЭКСПЛУАТАЦИЮ

Это наиболее важные этапы при установке системы автоматики для обеспечения максимального уровня безопасности оборудования. Они должны проводиться квалифицированным персоналом, который должен отобрать необходимые испытания, оценить принятые решения с точки зрения имеющихся рисков и убедиться в их соответствии законам, нормативам и регламентам: в частности, всем требованиям стандартов EN 13241, EN 12445 и EN 12453.

Дополнительные устройства должны пройти специальные испытания на предмет как их исправной работы, так и правильного взаимодействия с блоком управления MC200. См. руководства по эксплуатации каждого отдельного изделия.

### 6.1 - Приемочные испытания

Испытания также могут использоваться для периодической проверки работоспособности устройств, входящих в систему автоматики. Каждый компонент системы автоматики (сенсорные кромки, оптические датчики, мигающие устройства и т.п.) требует проведения особых испытаний; в отношении этих устройств следует провести приемочные испытания, указанные в соответствующих руководствах. Произведите приемочные испытания, как описывается ниже:

<b>01.</b>	Проверьте строгое соблюдение указаний, приведенных в главе «ПРЕДУПРЕЖДЕНИЯ».
<b>02.</b>	Используя кнопку управления или передатчик, дайте команду выполнения маневров закрывания и открывания створки ворот. В ходе выполнения указанных перемещений убедитесь, что <b>a)</b> оптические датчики (если таковые имеются) срабатывают в процессе выполнения маневра закрывания; <b>b)</b> сенсорная кромка (если таковая имеется) срабатывает согласно внесенным настройкам; <b>c)</b> автоматическое закрывание створки ворот после ее открывания (если оно запрограммировано) происходит в направлении закрывания створки. Если результаты проверки не соответствуют предусмотренным, убедитесь, что электрические соединения выполнены надлежащим образом. В частности, необходимо сверяться с предупреждениями, содержащимися в параграфе 4.3.
<b>03.</b>	Проведите несколько испытаний для оценки плавности хода ворот на предмет отсутствия потенциальных дефектов монтажа или регулировки, а также отсутствия точек особого трения.
<b>04.</b>	Убедитесь в правильности работы всех имеющихся в системе устройств безопасности (оптических датчиков, сенсорных кромок и пр.).
<b>05.</b>	Проверьте работу оптических датчиков (если таковые имеются) на предмет наличия потенциальных помех от других устройств: 1 - просуньте цилиндр (диаметром 5 см и длиной 30 см) между парой оптических датчиков, сначала рядом с TX, потом вблизи RX для того, чтобы прервать оптическую ось, которая их связывает; 2 - убедитесь, что блок управления производит предусмотренное действие (например, изменение направления движения при выполнении маневра закрывания).

## 6.2 - Ввод в эксплуатацию

Ввод в эксплуатацию разрешается только после успешного завершения всех этапов приемочных испытаний (глава 6.1). Не допускается частичный или «временный» ввод в эксплуатацию.

01.	Заполните и храните (не менее 10 лет) технический паспорт системы автоматизации, который в обязательном порядке должен включать: сборочный чертеж системы автоматизации, электрическую схему, анализ рисков и перечень выполненных мероприятий по их устранению, декларации соответствия изготовителей всех использованных устройств (для блока управления МС200 необходимо использовать прилагаемую декларацию соответствия ЕС), копию руководства по эксплуатации и план-график технического обслуживания системы автоматизации.
02.	Заполните и передайте владельцу системы автоматизации заявление о соответствии автоматики.
03.	Передайте владельцу системы автоматики «Руководство пользователя» (вкладка имеется в руководстве пользователя к системе автоматизации).
04.	Составьте и передайте владельцу системы автоматизации план технического обслуживания.
05.	Перед вводом в эксплуатацию системы автоматики соответствующим образом известите в письменном виде владельца системы о возможных опасностях и имеющихся рисках

## 7 УТИЛИЗАЦИЯ ИЗДЕЛИЯ

**Настоящее изделие является неотъемлемой частью системы автоматики и должно утилизироваться вместе с ней.**

Как монтаж, так и демонтаж изделия по окончании срока его службы должны проводиться квалифицированным персоналом. Настоящее изделие состоит из различных материалов, некоторые из которых могут использоваться в качестве вторсырья, а другие подлежат утилизации. Необходимо ознакомиться информацией относительно системы утилизации или переработки различных видов материалов, действительной на вашей территории.

**▲ ВНИМАНИЕ! - Отдельные части изделия могут содержать вредные или опасные вещества, которые при ненадлежащей утилизации могут причинить ущерб окружающей среде или здоровью человека.**



Помещенный слева символ слева указывает на то, что данное изделие нельзя утилизировать вместе с бытовыми отходами. Поэтому сдайте его согласно правилам раздельного сбора отходов в соответствии с нормативами, действующими на вашей территории, или верните его в пункт продажи при покупке нового аналогичного изделия.

**▲ ВНИМАНИЕ! - Действующие местные нормативы могут предусматривать серьезные санкции за ненадлежащую утилизацию данного изделия.**



## 8 ТЕХНИЧЕСКИЕ ХАРАКТЕРИСТИКИ

**⚠** Все технические характеристики приведены для температуры 20°C (± 5°C). • Компания Nice S.p.A. сохраняет за собой право внесения изменений в настоящее руководство и конструкцию изделия, с сохранением функциональности и предназначения последнего, в любой момент без предварительного уведомления заказчиков.

### ЭЛЕКТРОННЫЙ БЛОК УПРАВЛЕНИЯ MC200

<b>Электропитание:</b>	от 120 В~ 50/60 Гц до: 230 В~ 50/60 Гц
<b>Макс. мощность двигателя:</b>	450 Вт (при напряжении питания сети 120 В); 950 Вт (при напряжении сети 230 В)
<b>Напряжение сигналов команд:</b>	около 24 В===
<b>Вспомогательные устройства (клеммы 8-9):</b>	напряжение около 24 В===; максимальный ток 100 мА
<b>Вход предохранительных устройств:</b>	вкупе с постоянным сопротивлением, должен быть 8,2 кОм
<b>Рабочая температура:</b>	-20 °С ... +55 °С
<b>Размеры (мм):</b>	127 x 111 x 45
<b>Вес (г):</b>	300
<b>Класс защиты IP:</b>	44

### ПРИЕМНИК РАДИО (встроенный в блок управления)

<b>Частота:</b>	433,92 МГц
<b>Кодировка радиосигналов:</b>	FLOR, O-CODE, SMILO

## Декларация соответствия ЕС (N. 629/MC200) и декларация соответствия «частично укомплектованной машины»

**Примечание:** содержание настоящей декларации соответствует тому, что заявлено в последней доступной на момент печати настоящего руководства версии декларации. Официальный документ хранится в офисе компании Nice S.p.A. Приведенный текст декларации был адаптирован по издательским соображениям. Копию оригинальной декларации можно запросить у компании Nice S.p.A. (TV) Italy.

**Редакция: 0      Язык: RU**

- **Название изготовителя:** Nice S.p.A.
- **Адрес:** Via Pezza Alta N°13, 31046 Rustignè di Oderzo (TV) Italy
- **Лицо, уполномоченное на составление технической документации:** Nice S.p.A. - Via Pezza Alta n°13, 31046 Rustignè di Oderzo (TV) Italy
- **Тип изделия:** Блок управления для 1 двигателя 230 В $\sim$
- **Модель/Тип:** MC200
- **Принадлежности:** Радиокоманды серии FLOR, O-CODE, SMILO

Я, нижеподписавшийся Роберто Гриффа (Roberto Griffa) в качестве Генерального директора заявляю под свою ответственность, что указанное выше изделие соответствует положениям следующих директив:

- **Директива 2014/53/UE (RED)**
    - Охрана здоровья (ст. 3(1)(a)): EN 62479:2010
    - Электробезопасность (ст. 3(1)(a)):  
EN 60950-1:2006 + A11:2009 + A12:2011 + A1:2010 + A2:2013
    - Электромагнитная совместимость (ст. 3(1)(b)):  
EN 301 489-1 V2.2.0:2017; EN 301 489-3 V2.1.1:2017
    - Радиочастотные диапазоны (ст. 3(2)): EN 300 220-2 V3.1.1:2017
- Помимо этого, изделие отвечает требованиям следующей дирек-

тивы в части, касающейся «частично укомплектованной машины» (Приложение II, часть 1, раздел B):


- **Директивы 2006/42/CE** ЕВРОПЕЙСКОГО ПАРЛАМЕНТА И ЕВРОПЕЙСКОГО СОВЕТА от 17 мая 2006 г. по машинам и механизмам, изменяющей Директиву 95/16/EC (переработка).
  - Также декларируется что соответствующая техническая документация была составлена в соответствии с приложением VII В Директивы 2006/42/CE и с соблюдением следующих основных положений: 1.1.1 - 1.1.2 - 1.1.3 - 1.2.1 - 1.2.6 - 1.5.1 - 1.5.2 - 1.5.5 - 1.5.6 - 1.5.7 - 1.5.8 - 1.5.10 - 1.5.11
  - Изготовитель обязуется предоставить уполномоченным национальным органам в случае получения от них соответствующим образом оформленному запроса необходимую информацию по «частично укомплектованной машине», сохраняя при этом все имеющиеся права на интеллектуальную собственность.
  - Если «частично укомплектованная машина» вводится в эксплуатацию в стране, язык которой отличается от использованного в настоящей декларации, импортер обязан предоставить надлежащий перевод декларации.
  - «Частично укомплектованная машина» не должна вводиться в эксплуатацию до тех пор, пока машина, в которую она встроена, не будет, в свою очередь, признана соответствующей, если это применимо, требованиям директивы 2006/42/EC.

Кроме того изделие отвечает требованиям следующих стандартов:

EN 61000-6-2:2005, EN 61000-6-3:2007+A1:2011  
EN 60335-1:2012+A11:2014, EN 62233:2008

**Место и дата:** г. Одерцо, 05.09.2017

Инж. **Роберто Гриффа (Roberto Griffa)**  
(Генеральный директор)







**Nice SpA**  
Via Pezza Alta, 13  
31046 Oderzo TV Italy  
info@niceforyou.com

[www.niceforyou.com](http://www.niceforyou.com)